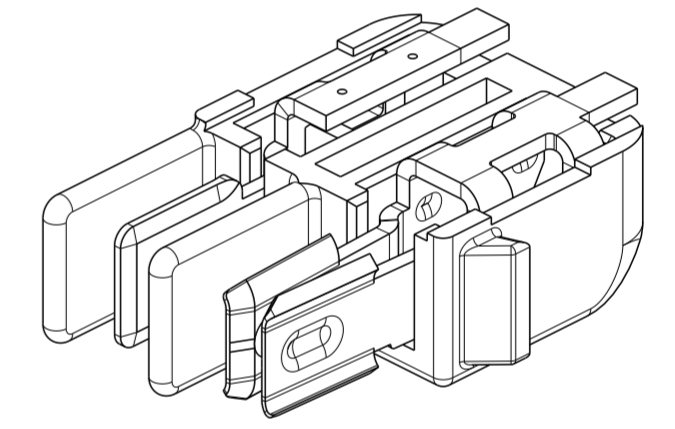
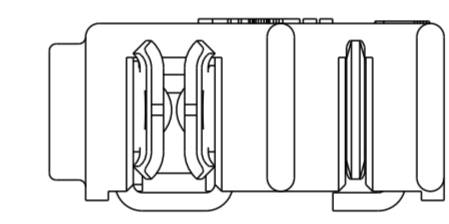
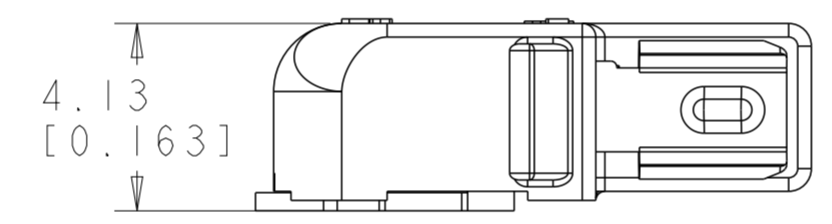
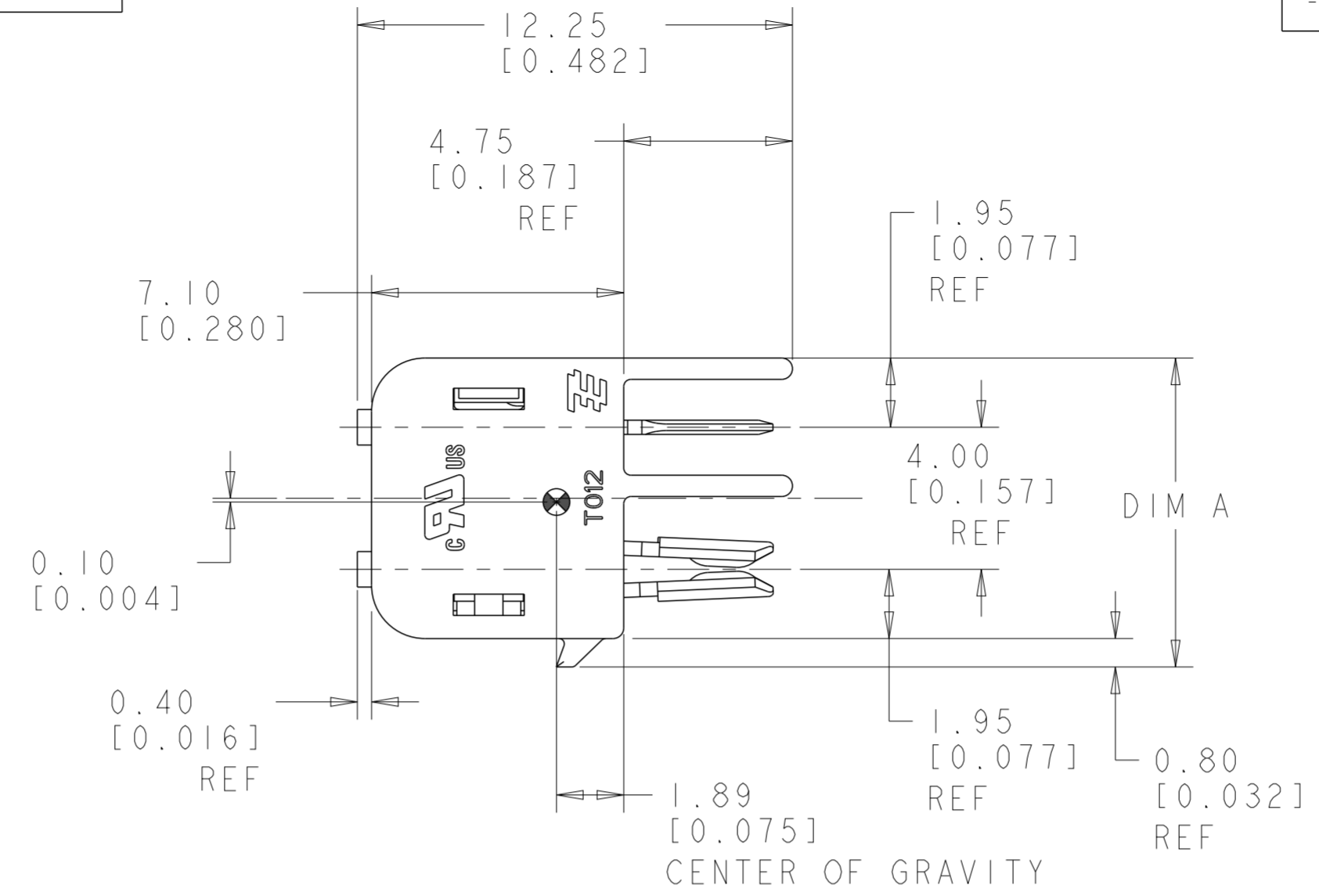


THIS DRAWING IS UNPUBLISHED. RELEASED FOR PUBLICATION 20
 © COPYRIGHT 20 BY - ALL RIGHTS RESERVED.

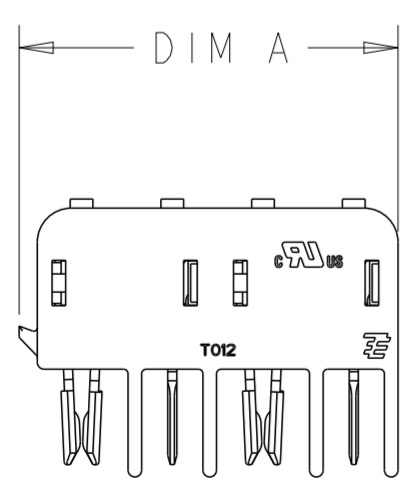
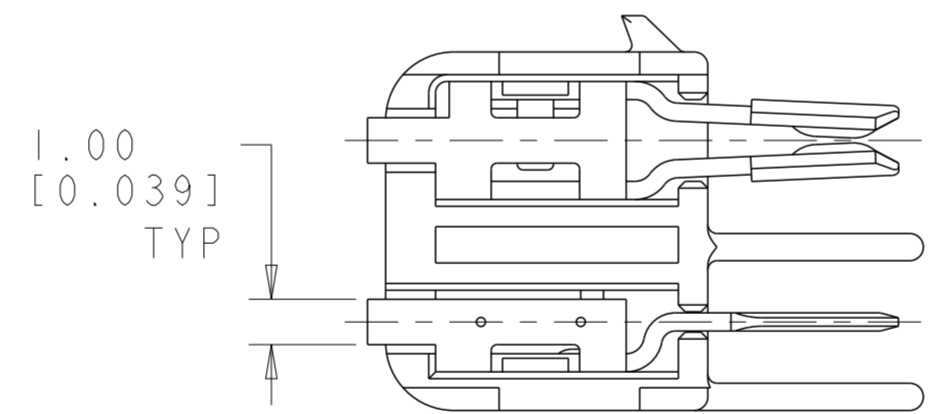
LOC		DIST		REVISIONS			
P	LTR	DESCRIPTION	DATE	DWN	APVD		
	A	REVISED PER ECR-14-005938	24APR2014	RS	DD		

NOTES:

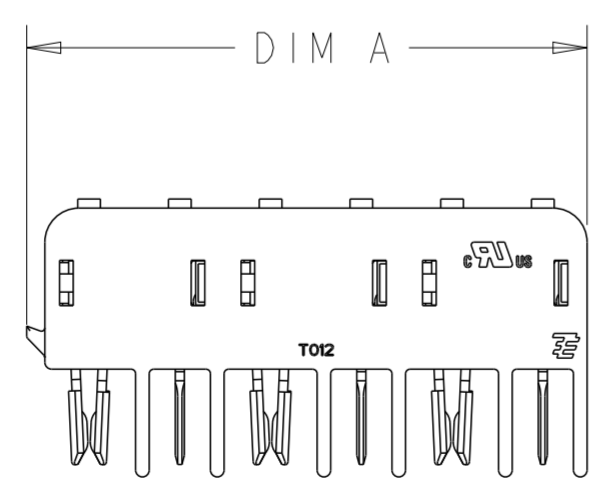
- 1. MATERIALS AND FINISH
 - HOUSING: LCP
 - CONTACTS: COPPER ALLOY, FINISH: GOLD
- 2. PRODUCT TO COMPLY WITH DIRECTIVE 2002/95/EC (ROHS)
- 3. PACKAGED IN TAPE AND REEL PER EIA-481 SPECIFICATIONS



2213288-1/
1-2213288-1
SHOWN



2213288-2/
1-2213288-2
SCALE 3:1



2213288-3/
1-2213288-3
SCALE 3:1

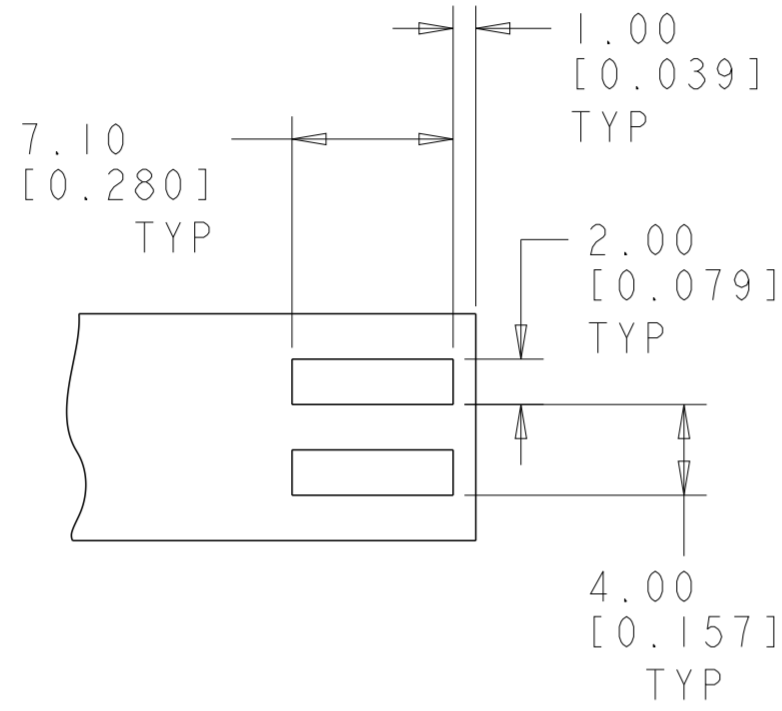
POSITION	COLOR	DIM A	PART NO.
6	BLACK	24.70	1-2213288-3
4	BLACK	16.70	1-2213288-2
2	BLACK	8.70	1-2213288-1
6	NATURAL	24.70	2213288-3
4	NATURAL	16.70	2213288-2
2	NATURAL	8.70	2213288-1

THIS DRAWING IS A CONTROLLED DOCUMENT.

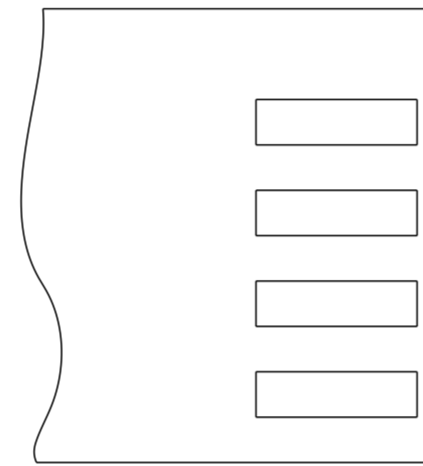
DIMENSIONS: mm MATERIAL 	TOLERANCES UNLESS OTHERWISE SPECIFIED: 0 PLC ± 1 PLC ± 2 PLC ±0.13 3 PLC ±0.013 4 PLC ± ANGLES ±1° FINISH 		DWN RAVI.S 09APR2013 CHK D.DECKER 09APR2013 APVD D.DECKER 09APR2013	TE Connectivity NAME CONNECTOR ASSEMBLY, HERMAPHRODITIC BLADE AND RECEPTACLE, WITH LATCH SIZE CAGE CODE DRAWING NO RESTRICTED TO A200779 C-2213288 SCALE 6:1 SHEET 1 OF 2 REV A
	DIMENSIONS: mm 		PRODUCT SPEC 108-2342 APPLICATION SPEC 114-13225 WEIGHT -	
	MATERIAL 		Customer Drawing	
	DIMENSIONS: mm 		Customer Drawing	

THIS DRAWING IS UNPUBLISHED. RELEASED FOR PUBLICATION 20
 © COPYRIGHT 20 BY - ALL RIGHTS RESERVED.

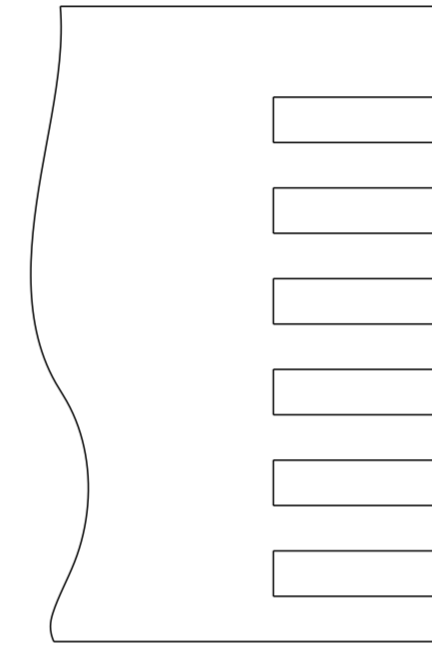
LOC		DIST		REVISIONS			
P	LTR	DESCRIPTION	DATE	DWN	APVD		
-	-	SEE SHEET 1	-	-	-		



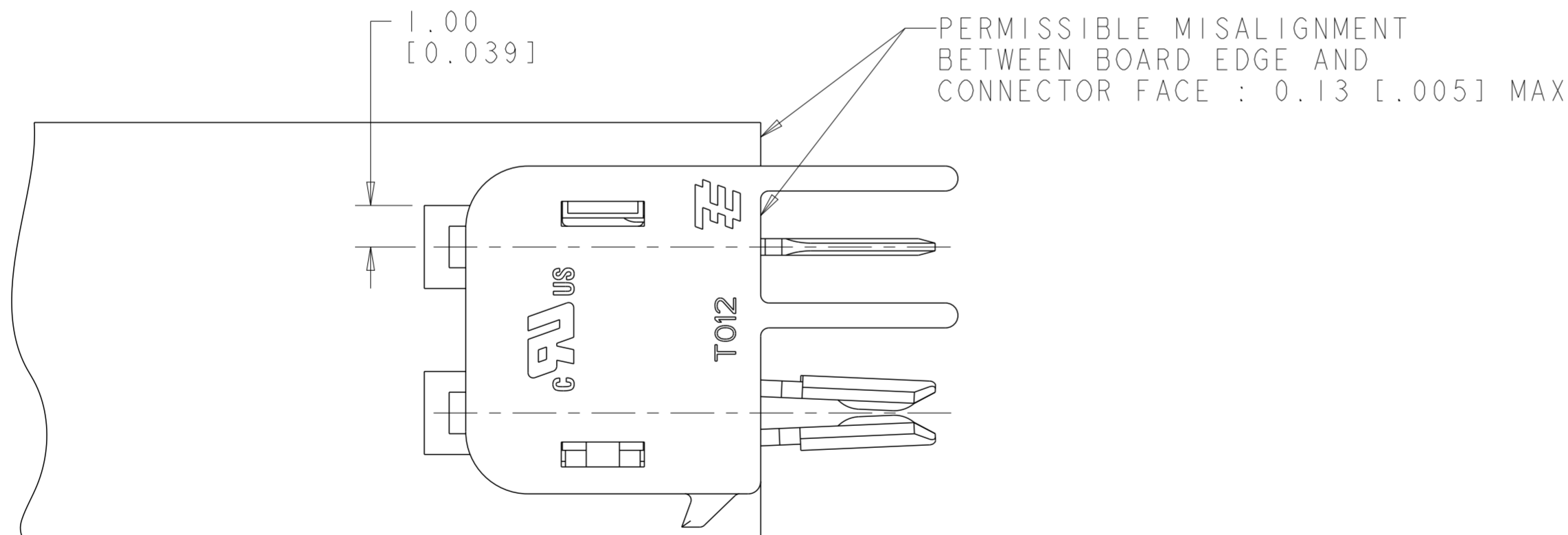
RECOMMENDED PCB LAYOUT FOR 2213288-1 & 1-2213288-1



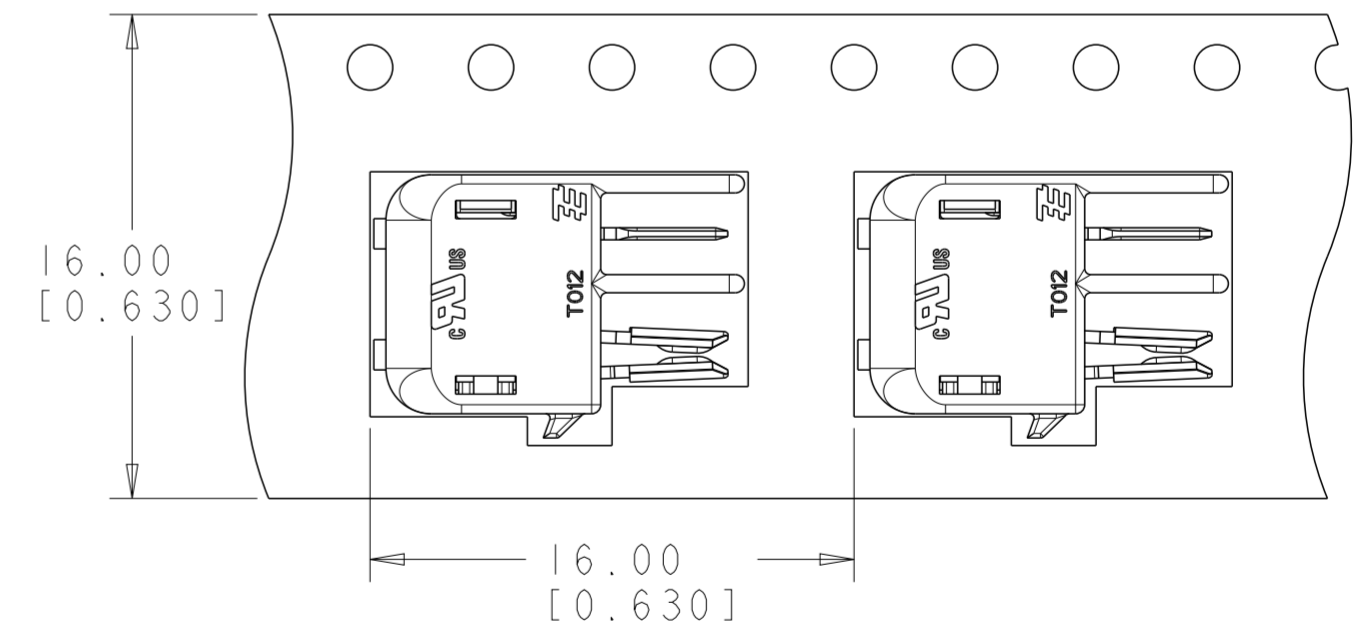
RECOMMENDED PCB LAYOUT FOR 2213288-2 & 1-2213288-2



RECOMMENDED PCB LAYOUT FOR 2213288-3 & 1-2213288-3



SCALE 8:1



TO BE PACKAGED AS SHOWN SCALE 4:1

THIS DRAWING IS A CONTROLLED DOCUMENT.		DWN RAVLS 09APR2013	STE TE Connectivity	
DIMENSIONS: mm		CHK D. DECKER 09APR2013		
TOLERANCES UNLESS OTHERWISE SPECIFIED:		APVD D. DECKER 09APR2013	NAME CONNECTOR ASSEMBLY, HERMAPHRODITIC BLADE AND RECEPTACLE, WITH LATCH	
0 PLC ±	1 PLC ±	PRODUCT SPEC 108-2342	SIZE A200779	DRAWING NO C-2213288
2 PLC ±0.13	3 PLC ±0.013	APPLICATION SPEC 114-13225	RESTRICTED TO	
4 PLC ±	ANGLES ±1°	WEIGHT -	SCALE 6:1	SHEET 2 OF 2
MATERIAL FINISH		Customer Drawing	REV A	