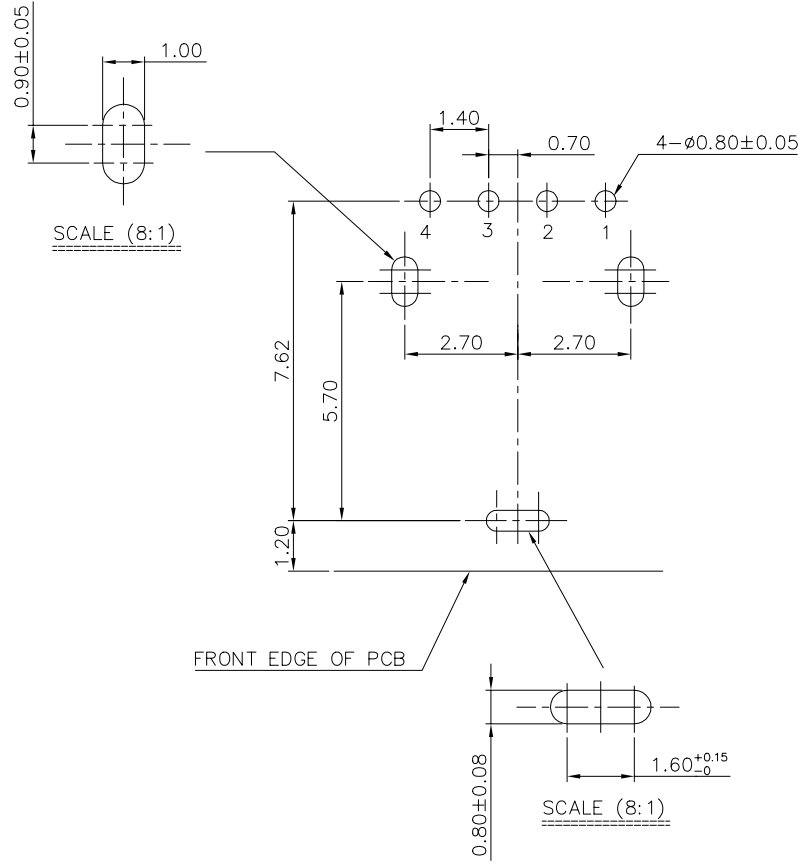
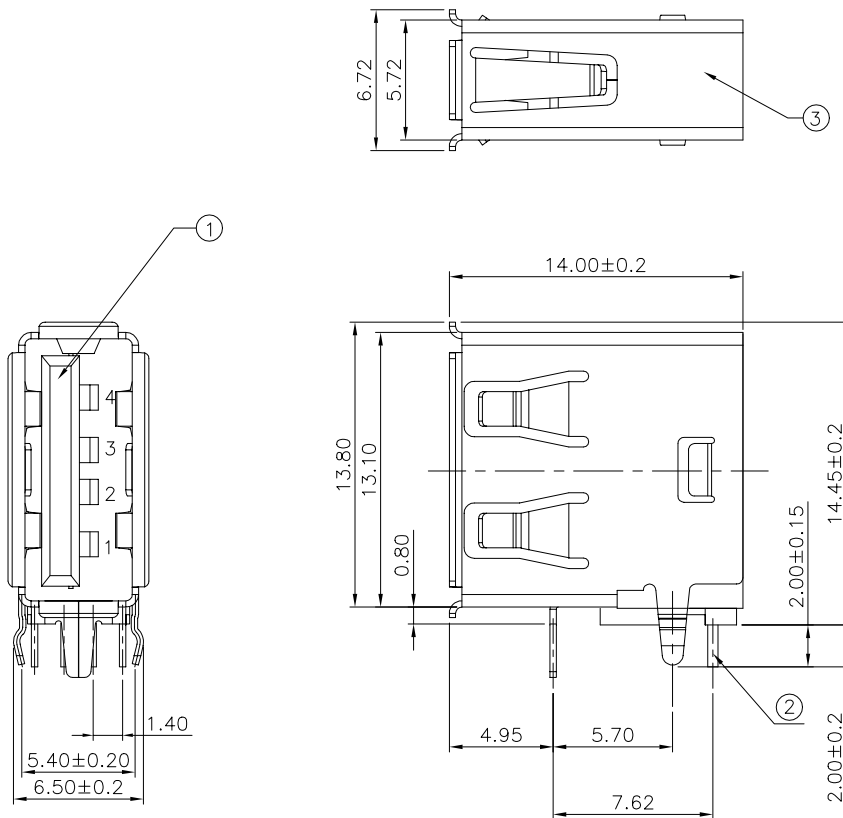


Recommended P.C.B Layout(Component Side)



3	SHELL	PHON.BRONZE	—	Nickel Plated
2	TERMINAL	PHON.BRONZE	—	Selective Gold/Tin
1	HOUSING	LCP	BLACK	UL 94V-0
NO. DESCRIPTION		MATERIAL	COLOR	REMARK



CUSTOMER COPY	TITLE: VERTICAL USB DIP TYPE		
PART NO.	020151MR004S507ZU		
PART NO. (OLD)	—		
DRAWING NO.	A	020151MR004S507ZU	
SCALE	4:1	UNIT	mm
		A4	

						Angle	±2°	DRAW		
						30 ~	±0.50	DESIGN		
						10 ~ 30	±0.30	CHECK		
						~ 10	±0.15	APPRO.		
ECN (DCN) NO.	REV	DATE	DESCRIPTION	CHANGE	APPRO.	GENERAL TOLERANCE UNLESS OTHERWISE NOTED				

	PO	02/12/25	NEW		
--	----	----------	-----	--	--