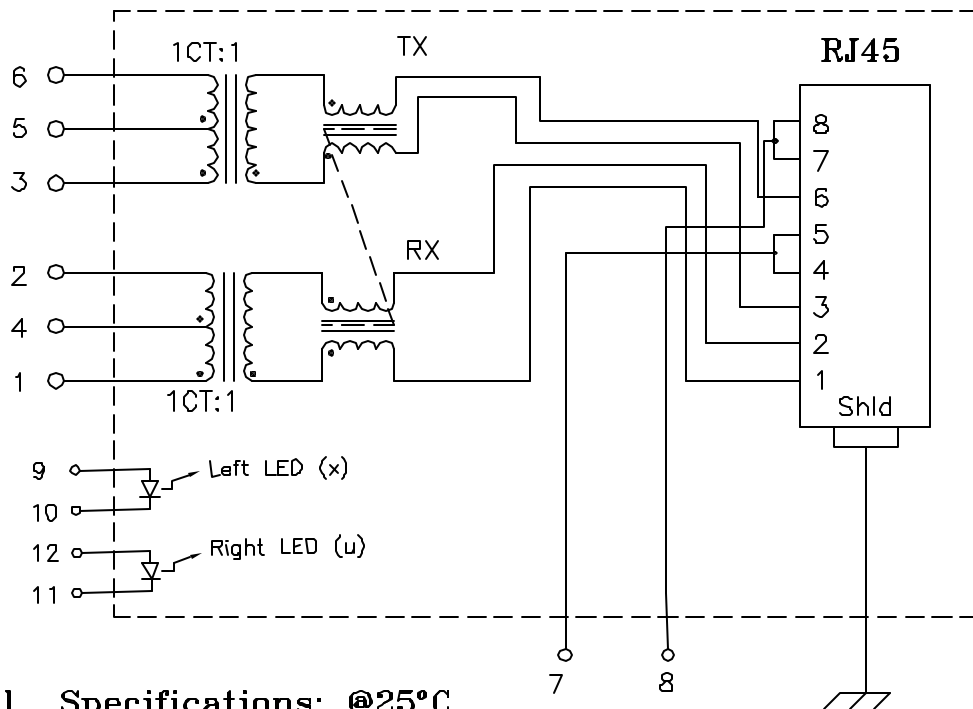


Schematic:



Electrical Specifications: @25°C

Isolation Voltage: 1500 Vac (Input to Output)

Isolation Voltage: 500 Vrms (P1+2+4 to P3+5+6)

Turns Ratio: TX 1CT:1 ±3% RX 1CT:1 ±3%

OCL: J3-6 and J1-2 350uH Min @100KHz, 0.1V, 8mA_{dc}

Insertion Loss: -1.0dB Max @1-100 MHz

Return Loss: 2-30MHz 40MHz 50MHz 60-80MHz
 -18dB -17dB -14.5dB -12dB (Min)

Differential to Common Mode Rejection:

	1-30MHz	60MHz	100MHz
	-42dB	-37dB	-33dB (Min)

Cross Talk:	30MHz	60MHz	100MHz
	-43dB	-37dB	-33dB (Min)

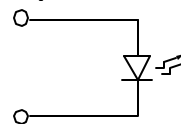
DC Current: 350mA

Complete the Combo P/N as follows:

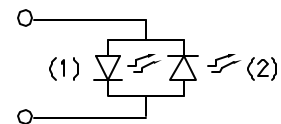
Replace 'x' & 'u' in the part number with one of the LED color letters:

Y=Yellow	'x' = Left LED Color
G=Green	'u' = Right LED Color
A=Amber	
R=Red	
N=Yellow(1)/Green(2) Bicolor	
M=Green(1)/Yellow(2) Bicolor	

Single Color LED:



Bi-Color LED:



Notes:

- Solderability: Leads shall meet MIL-STD-202, Method 208D for solderability.
- Flammability: UL94V-0
- ASTM oxygen index: > 28%
- Insulation System: Class F 155°C. UL file E151556
- Operating Temperature Range: All listed parameters are to be within tolerance from -40°C to +85°C
- Storage Temperature Range: -55°C to +125°C
- Aqueous wash compatible
- SMD Lead Coplanarity: ±0.004"(0.102mm)
- Electrical and mechanical specifications 100% tested
- RoHS Compliant Component

DOC. REV: A/1

XFMRs Inc.

Title: 0.85" Tab-UP Single port

UNLESS OTHERWISE SPECIFIED
 TOLERANCES:
 .xxx ±0.010

P/N: XFVOIP5T-CTGxu1-4MS REV. A

Dimensions in Inch

DWN.	Xianyí	May-16-09
------	--------	-----------

CHK.	YK Liao	May-16-09
------	---------	-----------

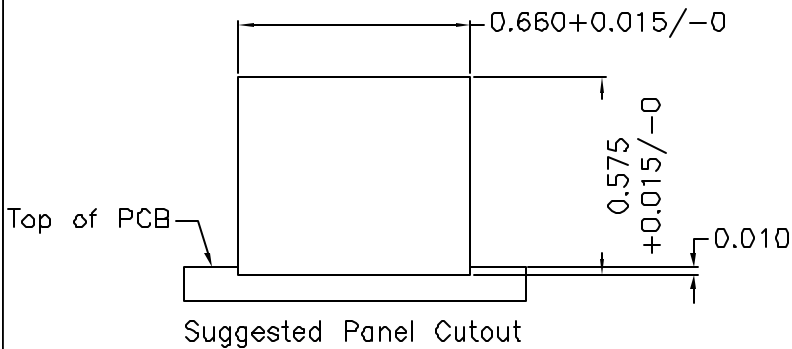
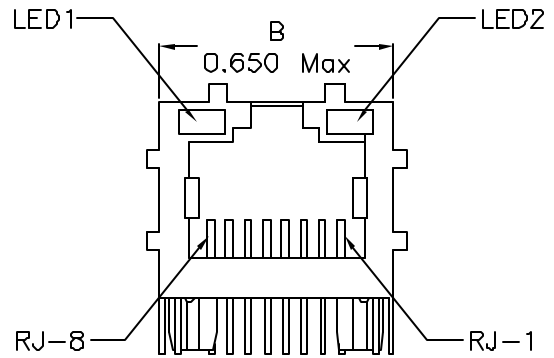
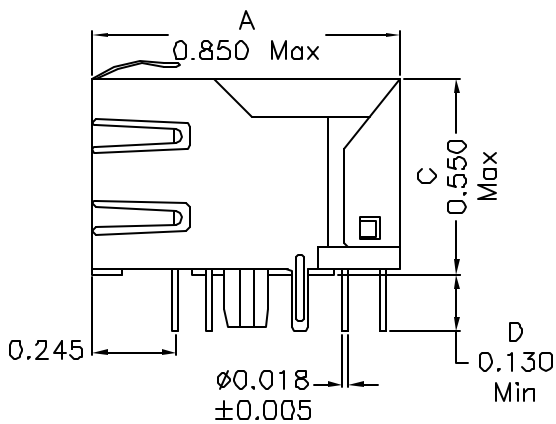
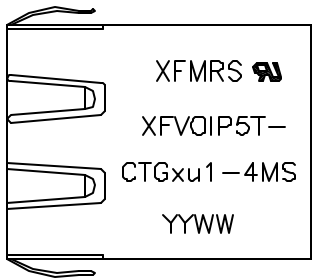
SHEET 1 OF 2

APP.	Joe Huff	May-16-09
------	----------	-----------

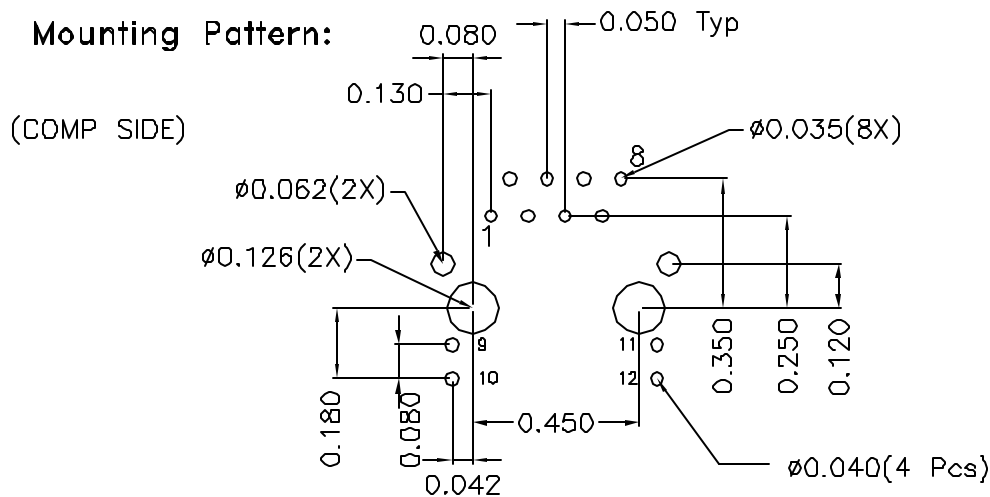
PROPRIETARY:

Document is the property of XFMRs Group & is not allowed to be duplicated without authorization.

Mechanical Dimensions:



Mounting Pattern:



DOC REV: A/1

XFMRS Inc. www.XFMRS.com	Title: 0.85" Tab-UP Single port		
	UNLESS OTHERWISE SPECIFIED TOLERANCES: .xxx ± 0.010 Dimensions in Inch	P/N: XFV0IP5T-CTGxu1-4MS	REV. A
	DWN.	Xiany	May-16-09
	CHK.	YK Liao	May-16-09
SHEET 2 OF 2	APP.	Joe Huff	May-16-09

PROPRIETARY:

Document is the property of XFMRS Group & is not allowed to be duplicated without authorization.