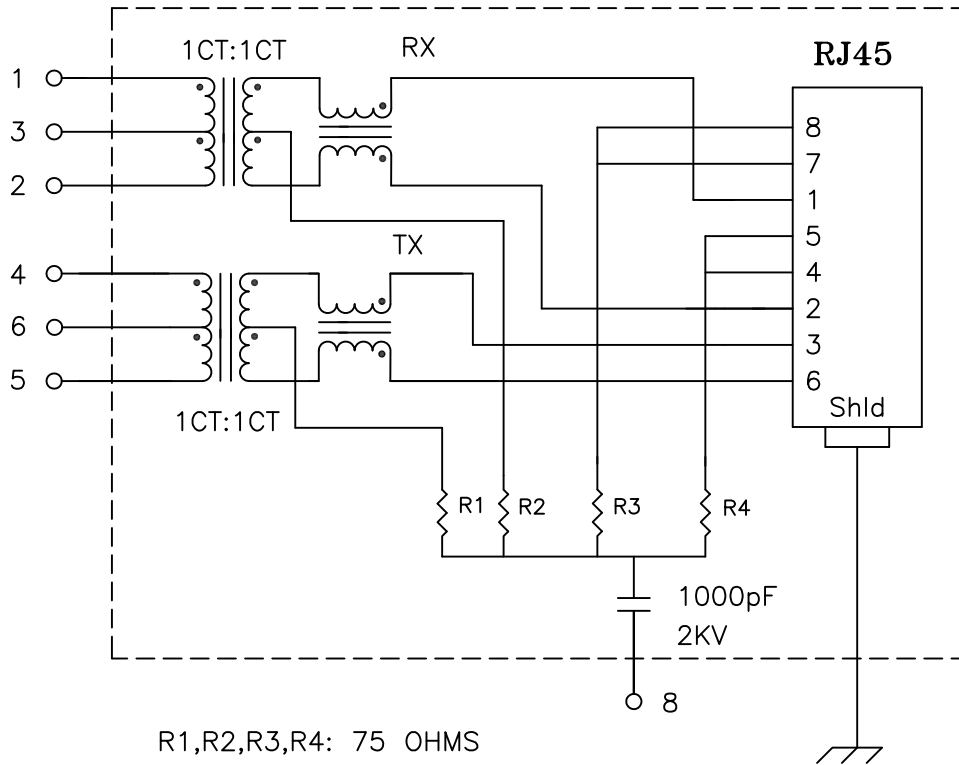


Schematic:



Electrical Specifications: @25°C

- Isolation Voltage: 1500 Vrms (Input to Output)
- Isolation Voltage: 500 Vrms (P1+2+3 to P4+5+6)
- Turns Ratio: TX 1CT:1CT ±3% RX 1CT:1CT ±3%
- CABLE SIDE OCL: 350uH Minimum @100KHz 100mV 8mADC
- Cw/w: 27pF Typical @100KHz 100mV
- Insertion Loss (300KHz-100MHz): -1.0dB Max
- Return Loss: @30MHz -18dB Minimum
- @80MHz -12dB Minimum

Notes:

1. Solderability: Leads shall meet MIL-STD-202G, Method 208H for solderability.
2. Flammability: UL94V-0
3. ASTM oxygen index: > 28%
4. UL Recognized Component: File Number E165866
5. Operating Temperature Range: All listed parameters are to be within tolerance from -40°C to +85°C
6. Storage Temperature Range: -55°C to +125°C
7. Aqueous wash compatible
8. Electrical and mechanical specifications 100% tested
9. RoHS Compliant Component


DOC. REV: A/2

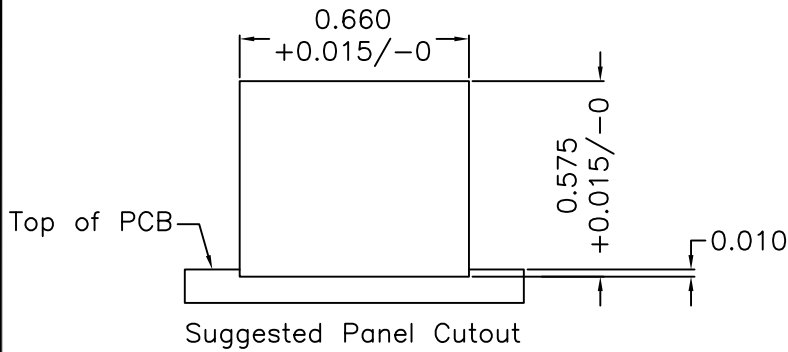
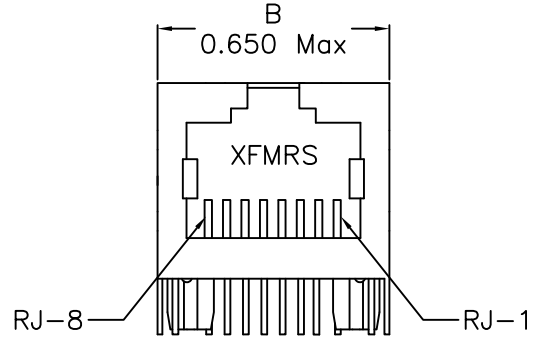
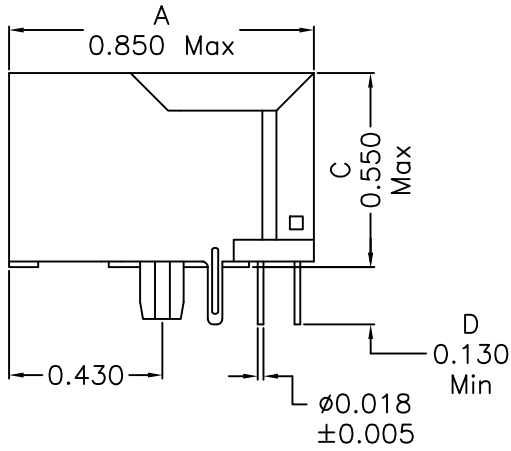
XFMRs Inc. www.XFMRS.com		Title: SINGLE PORT COMBO	
UNLESS OTHERWISE SPECIFIED		P/N: XFATM9KA-CTG1-2MS	REV. A
TOLERANCES: .xxx ±0.010		DWN. Yuan	Feb-27-14
Dimensions in Inch		CHK. YK Liao	Feb-27-14
SHEET 1 OF 2		APP. Joe Huff	Feb-27-14

PROPRIETARY:

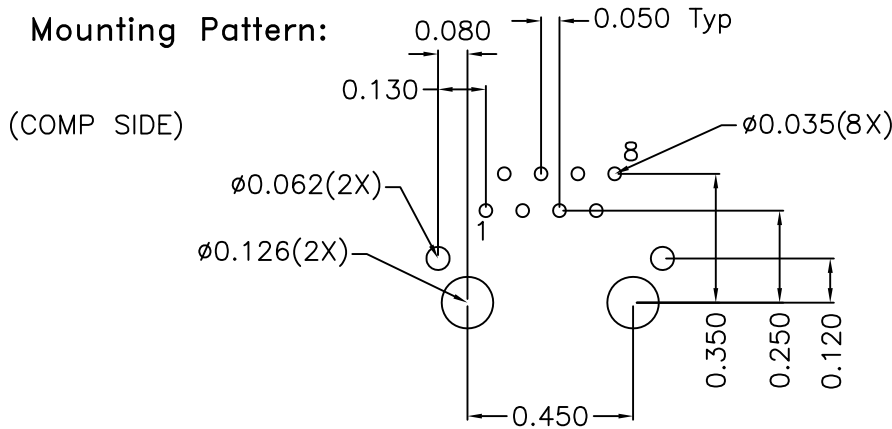
Document is the property of XFMRs Group & is not allowed to be duplicated without authorization.

Mechanical Dimensions:

XFMR5 
 XFATM9KA-
 CTG1-2MS
 YYWW



Mounting Pattern:



DOC REV: A/2

XFMR5 Inc.
 www.XFMR5.com

Title:
 0.85" Tab-UP Single part

UNLESS OTHERWISE SPECIFIED
 TOLERANCES:
 .xxx ± 0.010
 Dimensions in Inch

P/N: XFATM9KA-CTG1-2MS	REV. A
DWN. Yuan	Feb-27-14
CHK. YK Liao	Feb-27-14
APP. Joe Huff	Feb-27-14

PROPRIETARY:

Document is the property of XFMR5 Group & is not allowed to be duplicated without authorization.

SHEET 2 OF 2