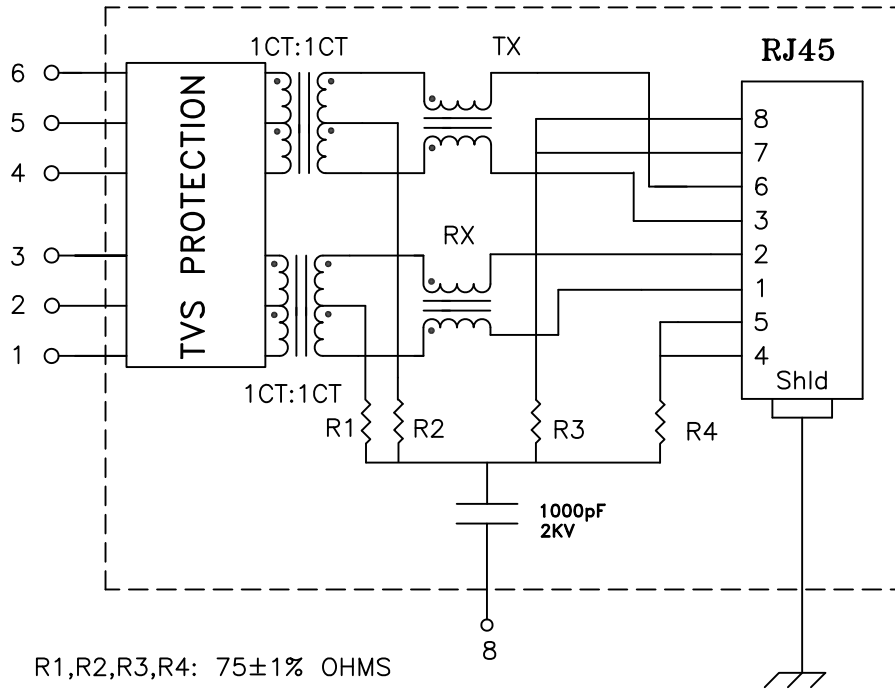


Schematic:



Electrical Specifications: @25°C

Isolation Voltage: 1500 Vrms (Input to Output)
 Q: 5 Min @100KHz 0.1V
 Turns Ratio: TX 1CT:1CT ±3% RX 1CT:1CT ±3%
 CABLE SIDE OCL: 350uH Minimum @100KHz 100mV 8mADC
 Cw/w: 27pF Typical @100KHz 100mV
 Insertion Loss (300KHz-100MHz): -1.00dB Max
 Return Loss: @30MHz -18dB Minimum
 @80MHz -12dB Minimum

Notes:

1. Solderability: Leads shall meet MIL-STD-202G, Method 208H for solderability.
2. Flammability: UL94V-0
3. ASTM oxygen index: > 28%
4. UL Recognized Component: File Number E165866
5. Operating Temperature Range: All listed parameters are to be within tolerance from -40°C to +85°C
6. Storage Temperature Range: -55°C to +125°C
7. Aqueous wash compatible
8. Electrical and mechanical specifications 100% tested
9. RoHS Compliant Component
10. Designed to meet GR1089 Intra-Building Lightning Standard

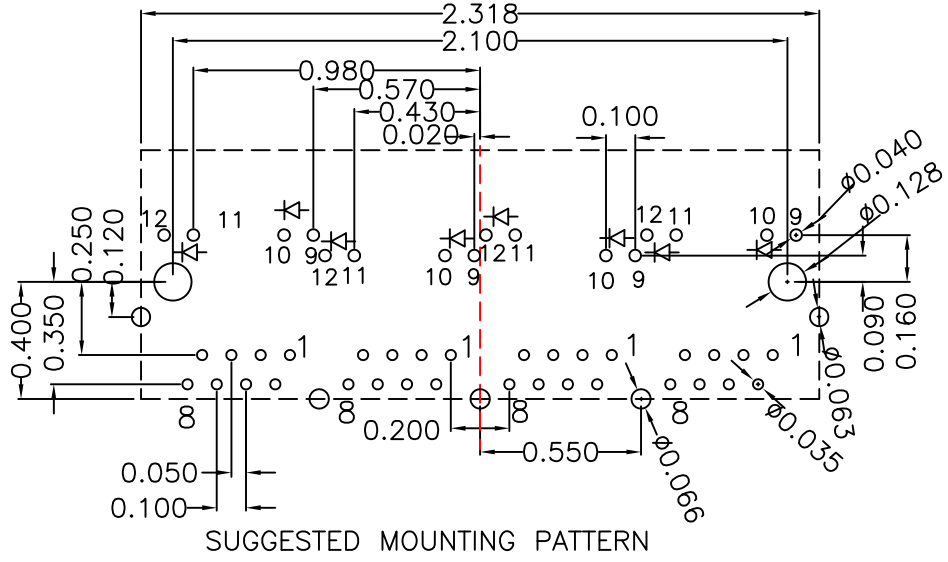
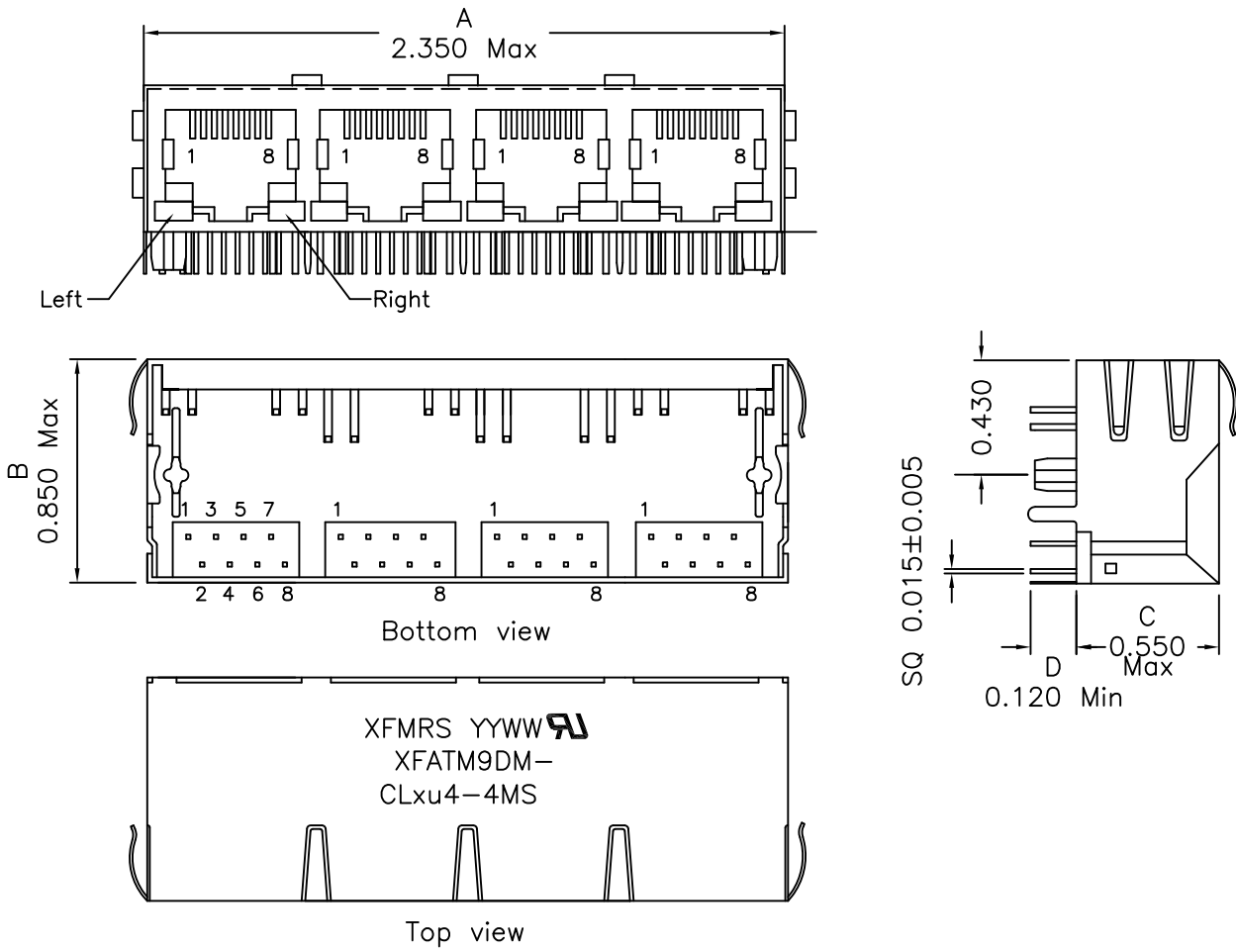
DOC REV: B/2

PROPRIETARY

Document is the property of XFMRs Group & is not allowed to be duplicated without authorization.

XFMRs Inc.		Title: FOUR PORT COMBO	
UNLESS OTHERWISE SPECIFIED TOLERANCES:		P/N: XFATM9DM-CLxu4-4MS	REV. B
.xxx ±0.010	DWN.	Yuan	Jan-15-15
Dimensions in Inch	CHK.	YK Liao	Jan-15-15
SHEET 1 OF 2	APP.	BSJ	Jan-15-15

Mechanical Dimensions: (FOR CLxu4-4MS)



DOC. REV: B/2

XFMRS Inc. www.XFMRS.com		Title: FOUR PORT COMBO w/ LED's	
UNLESS OTHERWISE SPECIFIED TOLERANCES: .xxx ±0.010 Dimensions in Inch		P/N: XFATM9DM-CLxu4-4MS	REV. B
DWN.	Yuan	Jan-15-13	
CHK.	YK Liao	Jan-15-13	
SHEET 2 OF 2	APP.	BSJ	Jan-15-13

PROPRIETARY:
Document is the property of XFMRS Group & is not allowed to be duplicated without authorization.