



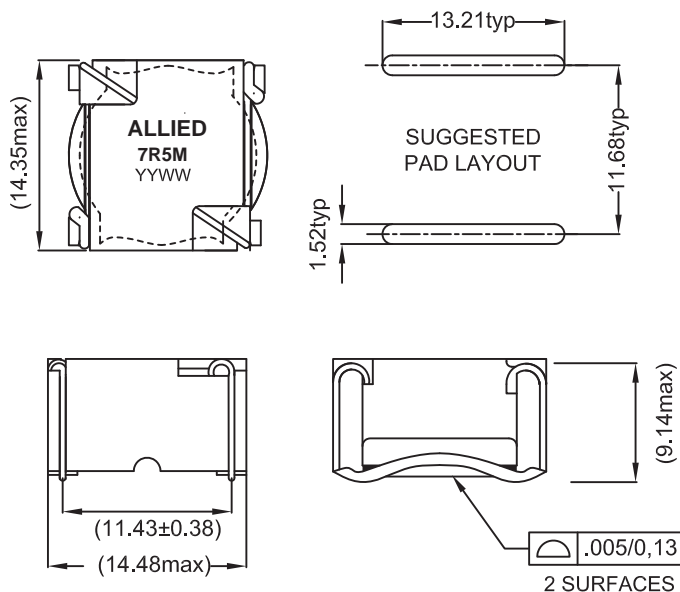
- SMD toroid chokes for lan and telecom applications
- High impedance to minimize common mode noise
- Excellent EMI performance
- Operating temperature range -40°C to 130°C



Electrical Specifications @25°C				
Part Number	L(1-2) @ 0Adc	L(1-2) @ I _{rated}	I _{rated}	DCR
	@100KHz 0.1V	@100KHz 0.1V	A Max	mΩ max
SMTC3726-3R8M-RC	3.8uh ± 20%	2.5uh ± 20%	8.00	8.3
SMTC3726-7R5M-RC	7.5uh ± 20%	5.1uh ± 20%	5.40	17.7
SMTC3726-21R9M-RC	21.9uh ± 20%	16.2uh ± 20%	2.70	72.0
SMTC3726-730M-RC	73uh ± 20%	58.1uh ± 20%	1.30	290
SMTC3726-291M-RC	292uh ± 20%	192uh ± 20%	0.90	560
SMTC3726-671M-RC	672uh ± 20%	383uh ± 20%	0.72	862

All specifications subject to change without notice.

MECHANICAL



Unless otherwise specified all tolerances are: ±0.25 in mm

SCHEMATICS

