



GLP-III-980 50-1500 mW



Portable Infrared Diode Laser System

Portable 980nm Diode Laser System for professional application, featuring 4-way safety system, catch button for convenient operation, and LED status indicator

4-way safety system:

1. slideable front cover
2. key switch
3. remote connector
4. delayed emission start (~4s).



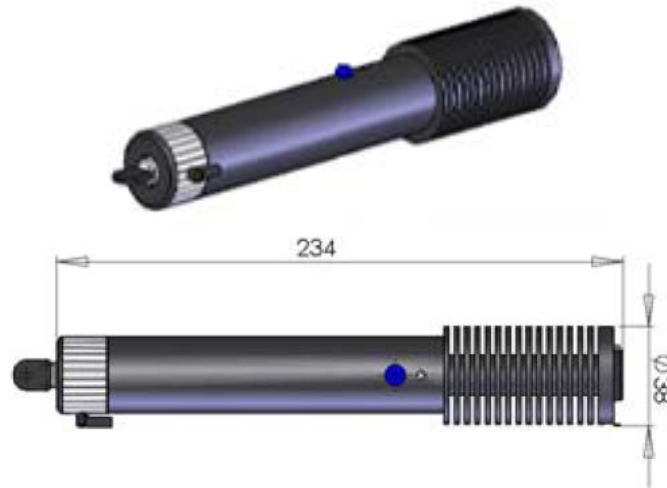
Specifications	
Wavelength	980 ±5 nm
Output Power	50 – 1500 mW
Transverse Mode	TE ₀₀
Operating Mode	CW
Beam Divergence (full angle)	< 5 mrad
Beam Diameter (at the aperture)	~ 6 mm
Range in darkness	1000 - 10000 m
Power Supply	2 x "C" 1,5Vbattery (included)
Max. continuous ON time	Device must be turned off if warmed considerably
Expected Lifetime	5000 hours
Warranty period	6 months



LASER RADIATION
AVOID DIRECT EXPOSURE TO BEAM
DO NOT STARE INTO BEAM
NEVER VIEW THROUGH OPTICAL INSTRUMENTS



Dimensions



234 x 38 mm, 0.3 kg