



# FF-1405-6

Operating Voltage = \_\_\_\_\_ 277 V~  
 Operating Current = \_\_\_\_\_ 6 Amps Max  
 Operating Frequency = \_\_\_\_\_ 50 / 60 Hz

Temperature Range = \_\_\_\_\_ -20° TO 50°C

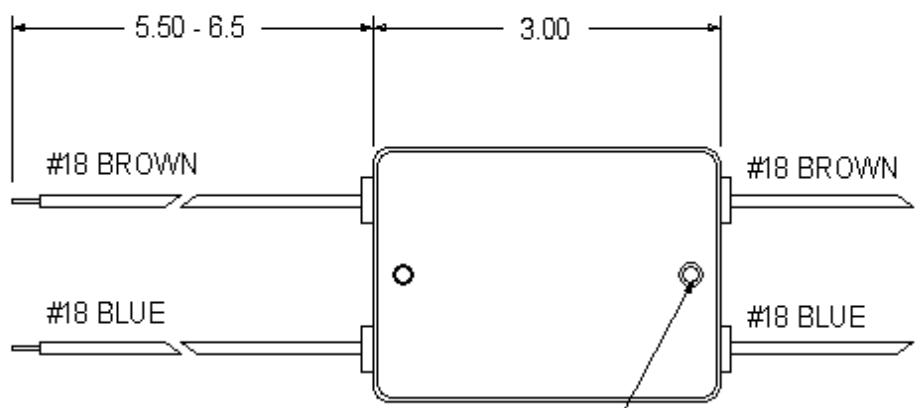
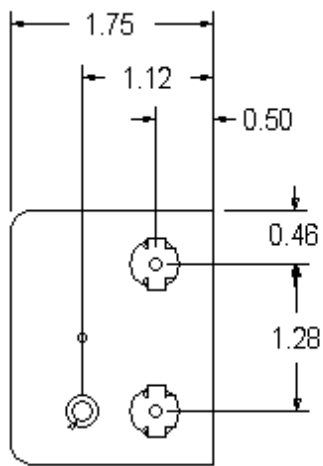
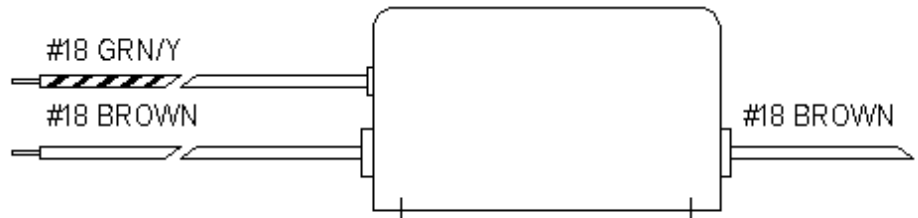
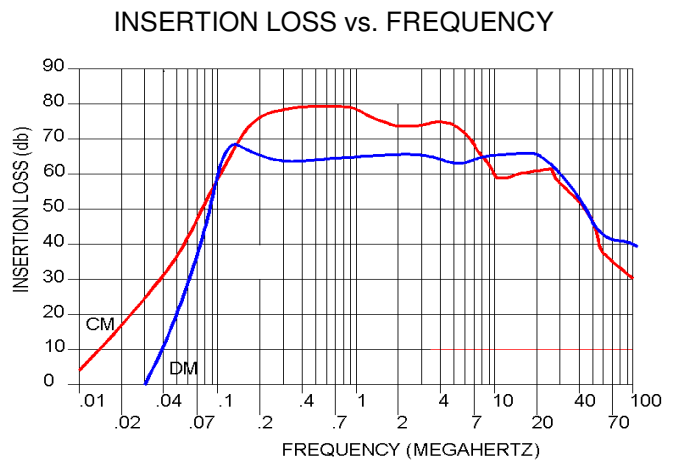
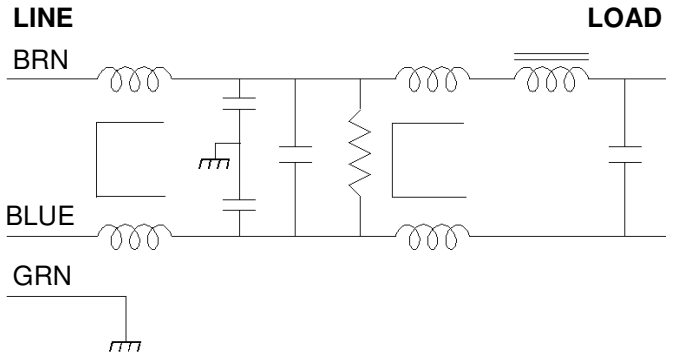
Diel. Withstand (L-CASE) = \_\_\_\_\_ 1500 V~; 1 Min  
 Diel. Withstand (L-L) = \_\_\_\_\_ 1500 Vdc; 1 Min

Leakage Current = \_\_\_\_\_ 1.0 mA @ 250 V~, 60 Hz

Max Residual Volt after 1.0 second = \_\_\_\_\_ 32 V

MTBF = 2,270,663 hours at 30oC GB

Order P/N: FF-1405-6



6-32 INSERTS (2X)

USA JMK Inc 15 Caldwell Dr. Amherst, NH 03031 PH: 603 886-4100 FX: 603 886-4115  
 email: info@jmkfilters.com  
 EUR JMK Inc Glasgow G13 1DN Scotland UK PH: 44-(0) 7785310729 Fax: 44-(0) 141 589 1884