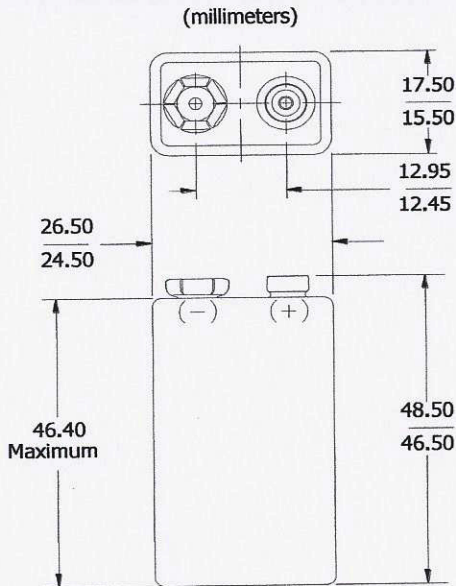


9V

(6LR61)



Industry Standard Dimensions

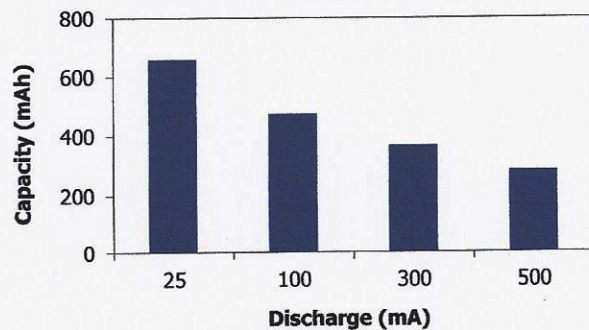


Specifications

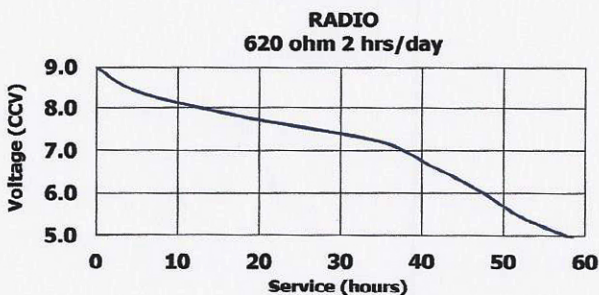
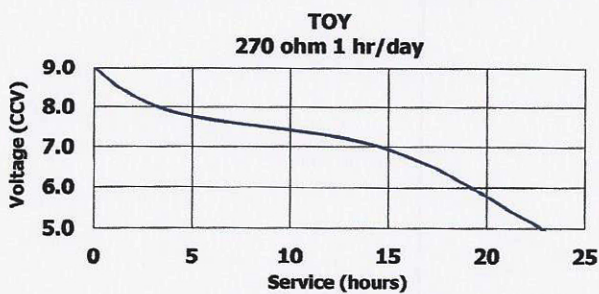
| | |
|-------------------------|--|
| Classification: | Alkaline |
| Chemical System: | Zinc-Manganese Dioxide (Zn/MnO ₂) No added mercury or cadmium |
| Designation: | IEC-6LR61 |
| Nominal Voltage: | 1.5 volts |
| Operating Temp: | -18°C to 55°C |
| Typical Weight: | 46.0 grams |
| Typical Volume: | 21.0 cubic centimeters |
| Jacket: | Metal |
| Shelf Life: | 5 years at 21°C |
| Terminal: | Miniature Snap |

Milliamp-Hours Capacity

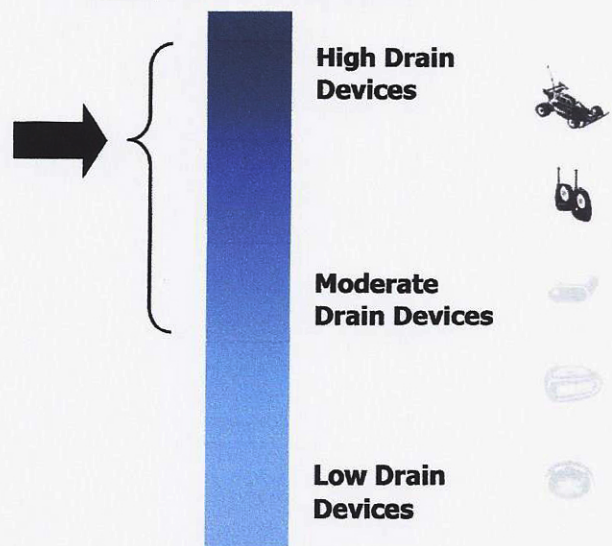
Continuous discharge to 4.8 volts at 21°C



Industry Standard Testing (21°C):



Battery Selection Indicator



Pack Quantity : 20
Manufacturers Part Number : E300488300