

Current Transformer

CEEH1310C

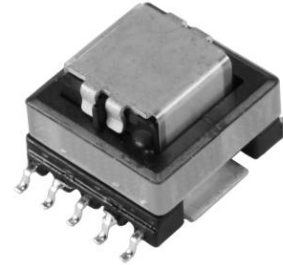


◆ Product Description

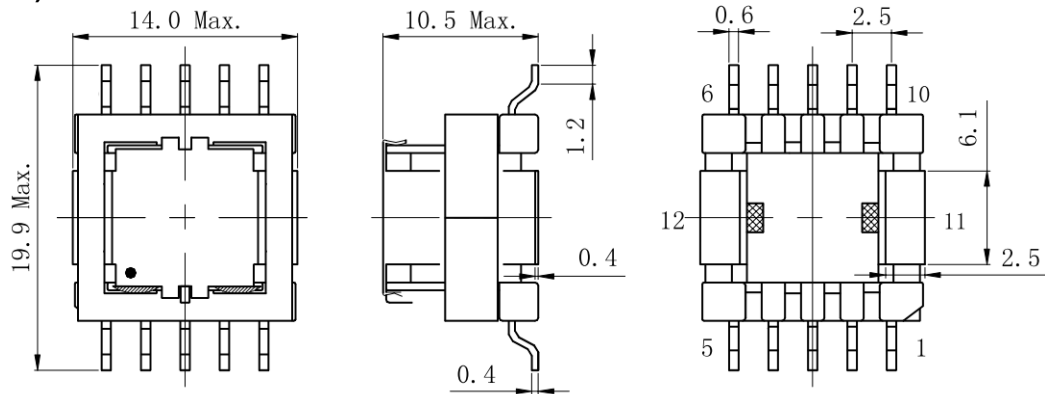
- 19.9 × 14.0mm Max.(L × W), 10.5mm Max. Height .
- Custom design is available.

◆ Feature

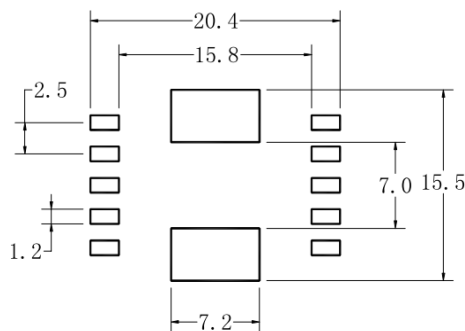
- Low profile SMD type.
- Low primary D.C.R. version.
- Current rating: up to 35.0A.
- Operating Frequency range: 50kHz~500kHz.
- RoHS Compliance.



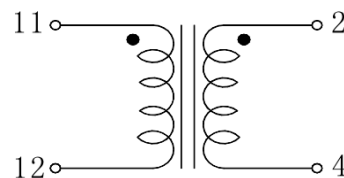
◆ Dimensions (mm)



◆ Land Pattern



◆ Schematics



Parts No.	Turns Ratio	Inductance (2-4) 10kHz 1.0V	D.C.R. @20°C Max.		Rated Current $\Delta T=40^{\circ}\text{C}$ (at $T_a=20^{\circ}\text{C}$)	Hi-Pot 11,12 to 2,4 50/60Hz 0.5mA 1min.
			11-12	2-4		
CEEH1310CNP-50	1:50	2.0mH \pm 40%	0.5m Ω	705m Ω	35A	500Vrms
CEEH1310CNP-100	1:100	8.0mH \pm 40%	0.5m Ω	1000m Ω	35A	500Vrms
CEEH1310CNP-200	1:200	32mH \pm 40%	0.5m Ω	3800m Ω	35A	500Vrms

For sales office information, please [click here](#) to visit our website.

Note: This specification is subject to change without notice. Please contact your nearest sales office for updated information when placing an order.