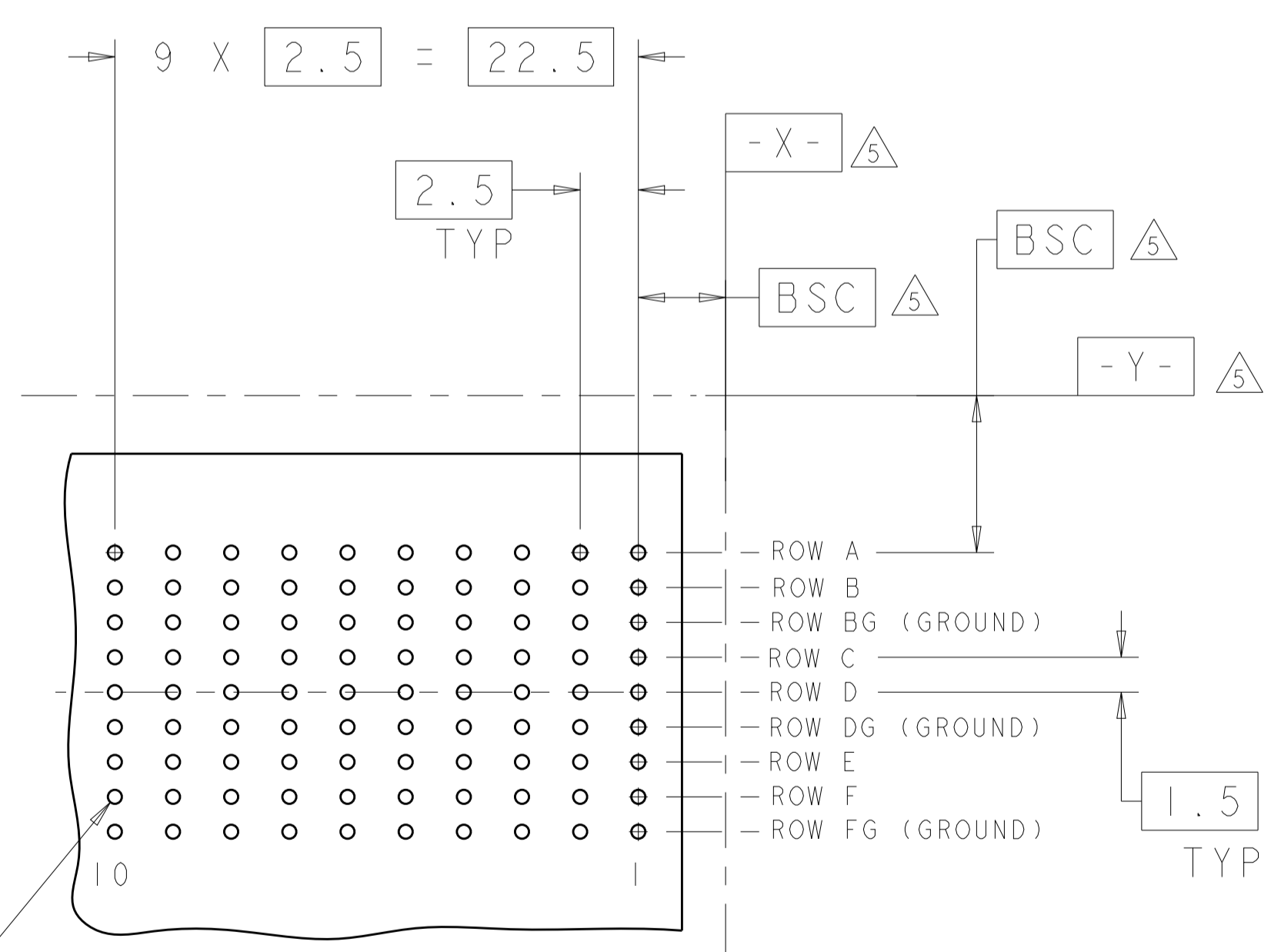
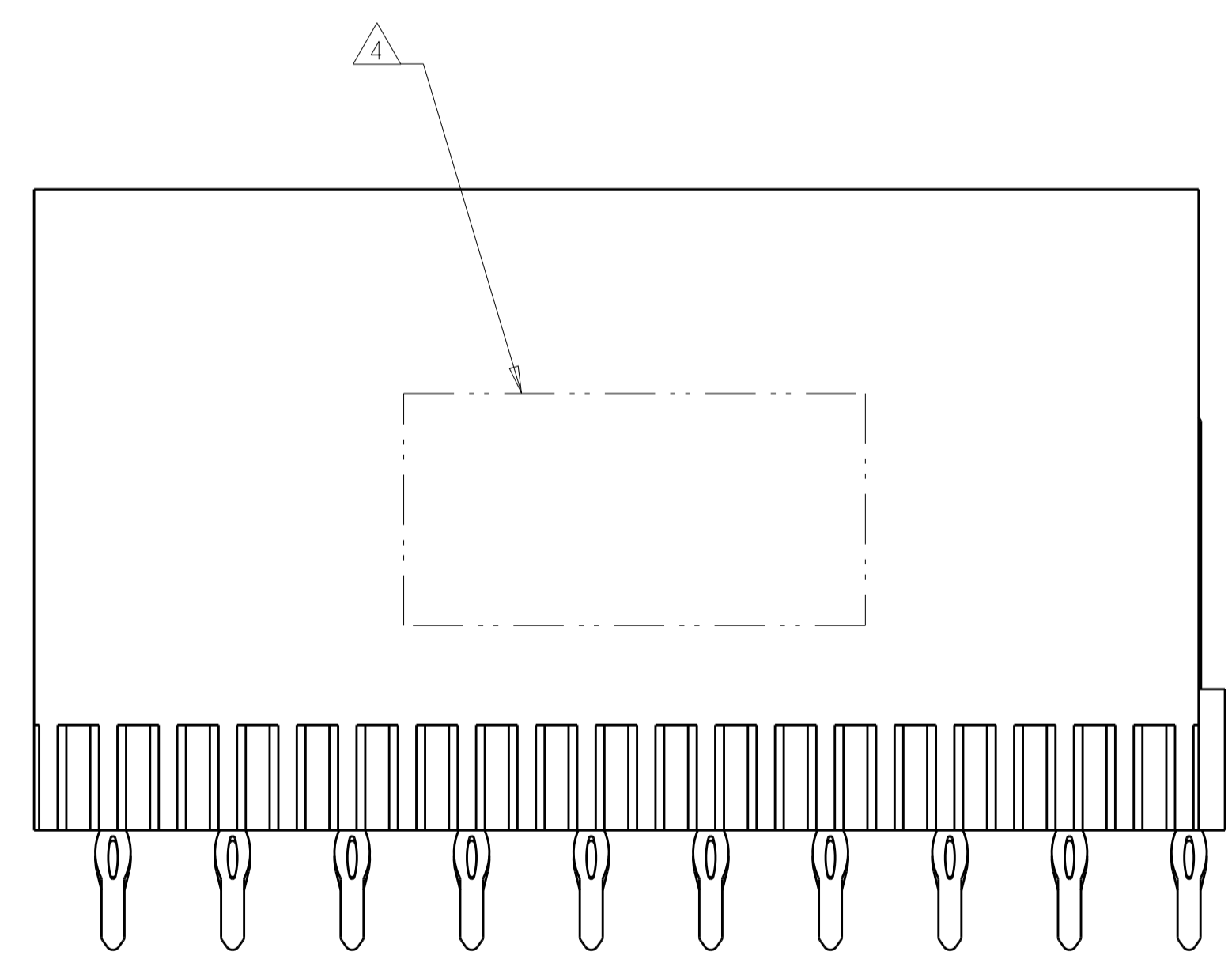
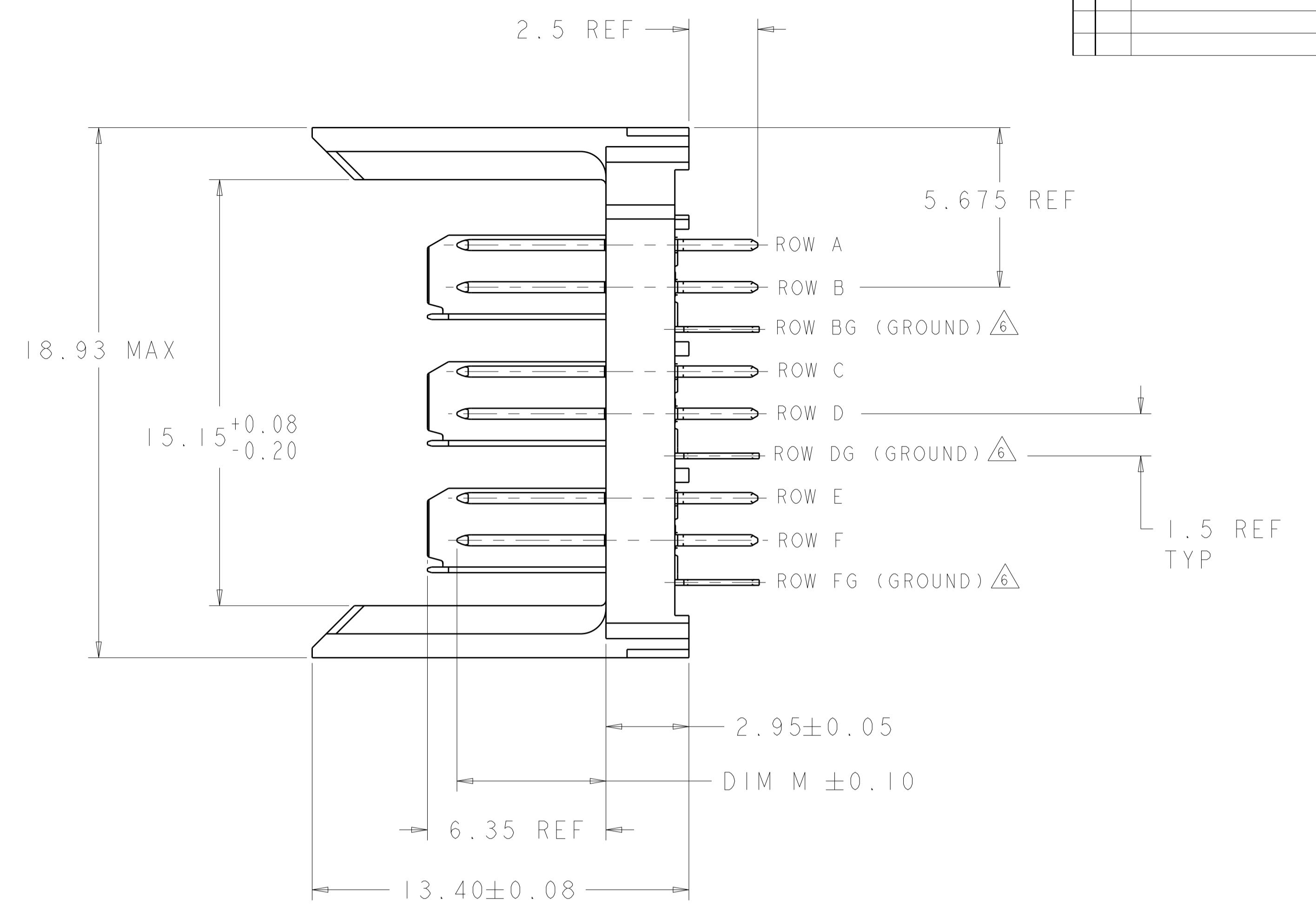
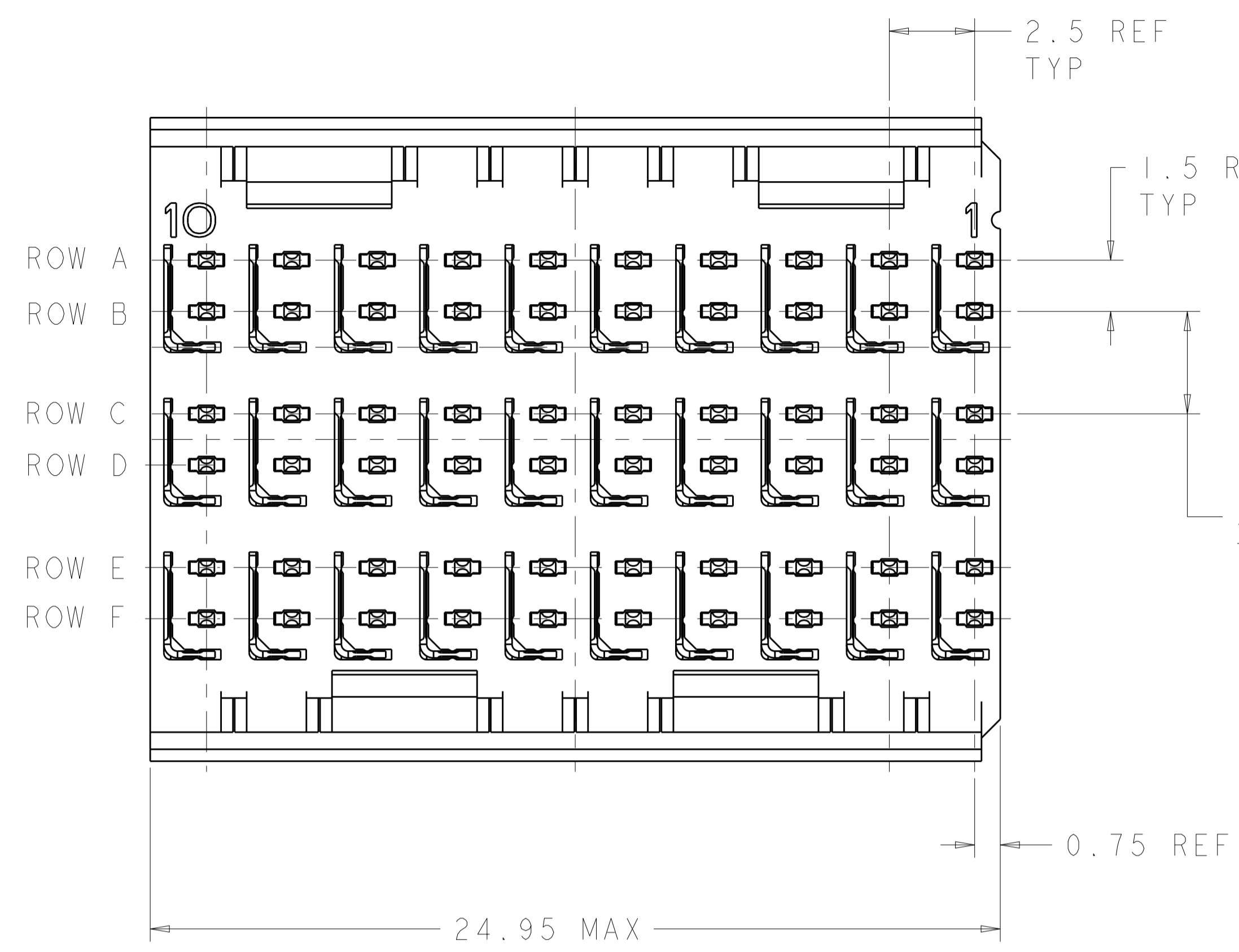


LOC		DIST		REVISIONS			
AD	00	P	LTN	DESCRIPTION	DATE	DWN	APVD
		E1		REVISED PER ECO-13-003342	04MAR2013	KH	MH



⊕ | Ø0.05(S) | X | Y  
 ALL PLATED THRU HOLES

RECOMMENDED PC BOARD LAYOUT, BACKPLANE, COMPONENT SIDE SHOWN SCALE 4:1

- △ REFERENCE APPLICATION SPEC 114-13059 FOR RECOMMENDED PLATED THRU HOLE DIAMETER AND PLATING THICKNESSES.
- △ MATERIAL: CONTACT AND SHIELD - PHOSPHOR BRONZE HOUSING - GLASS FILLED POLYESTER, UL 94V-0.
- △ FINISH: SIGNAL AND GROUND CONTACTS: MATING AREA: MEETS THE PERFORMANCE REQUIREMENTS OF PRODUCT SPECIFICATION 108-2055; BASED ON TELCORDIA GR-1217-CORE, APPLICATIONS IN UNCONTROLLED ENVIRONMENTS COMPLIANT PIN AREA: 0.5µm MIN BRIGHT TIN-LEAD OVER BASE PLATING
- △ CONNECTOR MARKED WITH PART NUMBER AND DATE CODE.
- △ DATUMS AND BASIC DIMENSIONS ESTABLISHED BY CUSTOMER.
- △ THE THREE GROUNDS IN EACH COLUMN ARE COMMONED.
- 7. CONTACT AREA LUBRICATED WITH BELLCORE APPROVED LUBRICANT. TECHNICAL REFERENCE: GR-1217-CORE, ISSUE 1, NOVEMBER 1995.
- △ FINISH: CONTACT AND SHIELD MATING AREA - 1.27µm MIN GOLD OVER 1.27µm MIN NICKEL COMPLIANT PIN AREA - 0.5µm MIN BRIGHT TIN-LEAD OVER 1.27µm MIN NICKEL

	5.30	△ 8	1469083-3
SUPERSEDED BY 6469083-2	3.80	△ 3	1469083-2
SUPERSEDED BY 6469083-1	5.30	△ 3	1469083-1
DIM M	FINISH	PART NUMBER	

THIS DRAWING IS A CONTROLLED DOCUMENT.		DWN D. SCHRUM 02JAN2002	TE Connectivity	
DIMENSIONS:		CHK S. MAGARO 02JAN2002		
mm	TOLERANCES UNLESS OTHERWISE SPECIFIED:	APVD P. PATTERSON 16AUG2007	NAME HEADER ASSEMBLY, 3 PAIR, 2.5mm TAIL, 25mm, HMZd	
0 PLC	±	PRODUCT SPEC	SIZE	
2 PLC	±	APPLICATION SPEC	CAGE CODE	
3 PLC	±		DRAWING NO	
4 PLC	±		RESTRICTED TO	
ANGLES	±		A100779C=1469083	
MATERIAL	FINISH	WEIGHT	SCALE 8:1 SHEET 1 OF 1 REV E1	
	SEE TABLE	Customer Drawing		