

Shielded Power Inductor

ASPI-4020HI

 RoHS/RoHS II Compliant



4.5 x 4.1 x 2.1mm

FEATURES:

- High saturation current
- Low loss due to low DC resistance
- Low profile with max thickness 2.1mm
- 100% lead free and metted RoHS standard
- Suitable for reflow soldering
- Highly reliable SMD package

APPLICATIONS:

- DC/DC converters in LED driver, Notebook, Tablet, Desktop and Server
- Low profile, high current power supplies

STANDARD SPECIFICATIONS

Abracon P/N:	ASPI-4020HI Series
Operating Temperature & Humidity:	-55°C to +155°C
Storage Temperature & Humidity:	+25±3°C, 80% RH max (In tape and reel)

Part Number ASPI-4020HI- Inductance Code	L(uH)	Tolerance	DCR (mΩ) max.	Isat (A) max.	Irms (A) max.
ASPI-4020HI-R10	0.10	M	4.0	22.0	12.0
ASPI-4020HI-R22	0.22	M	6.6	12.5	9.0
ASPI-4020HI-R47	0.47	M	14	9.5	7.0
ASPI-4020HI-R56	0.56	M	16	8.5	6.5
ASPI-4020HI-1R0	1.0	M	27	7.0	4.5
ASPI-4020HI-1R5	1.5	M	46	6.0	4.0
ASPI-4020HI-2R2	2.2	M	58	5.0	3.0
ASPI-4020HI-3R3	3.3	M	87	4.0	2.5

Test Conditions

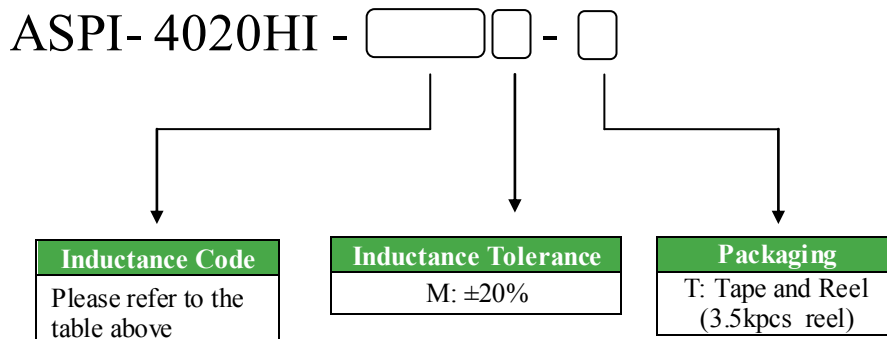
Inductance (L)

- Test equipment: Agilent4284A
- Test frequency: 100kHz, 0.25Vrms

I_{sat} would cause inductance to drop by about 30%.

I_{rms} would cause an ΔT of about 40°C.

PART NUMBER IDENTIFICATION



Shielded Power Inductor

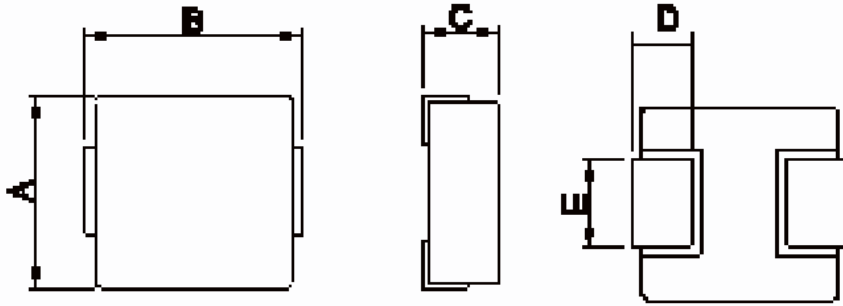
ASPI-4020HI

 RoHS/RoHS II Compliant



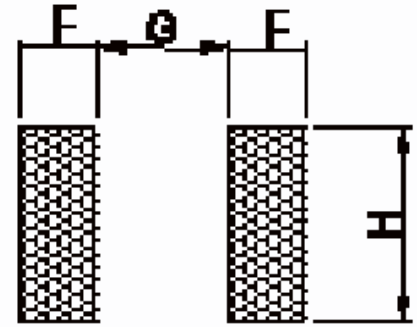
4.5 x 4.1 x 2.1mm

OUTLINE DRAWING:



A	B	C max.	D	E
4.1±0.5	4.5±0.5	2.1	0.8±0.5	1.5±0.5

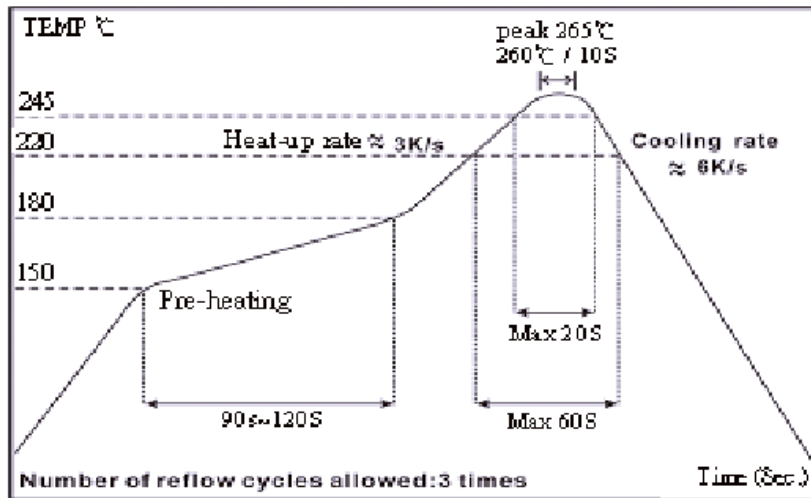
Recommended Land Pattern



F	G	H
1.5	2.5	2.2

Dimension: mm

REFLOW PROFILE



Shielded Power Inductor

ASPI-4020HI

 RoHS/RoHS II Compliant

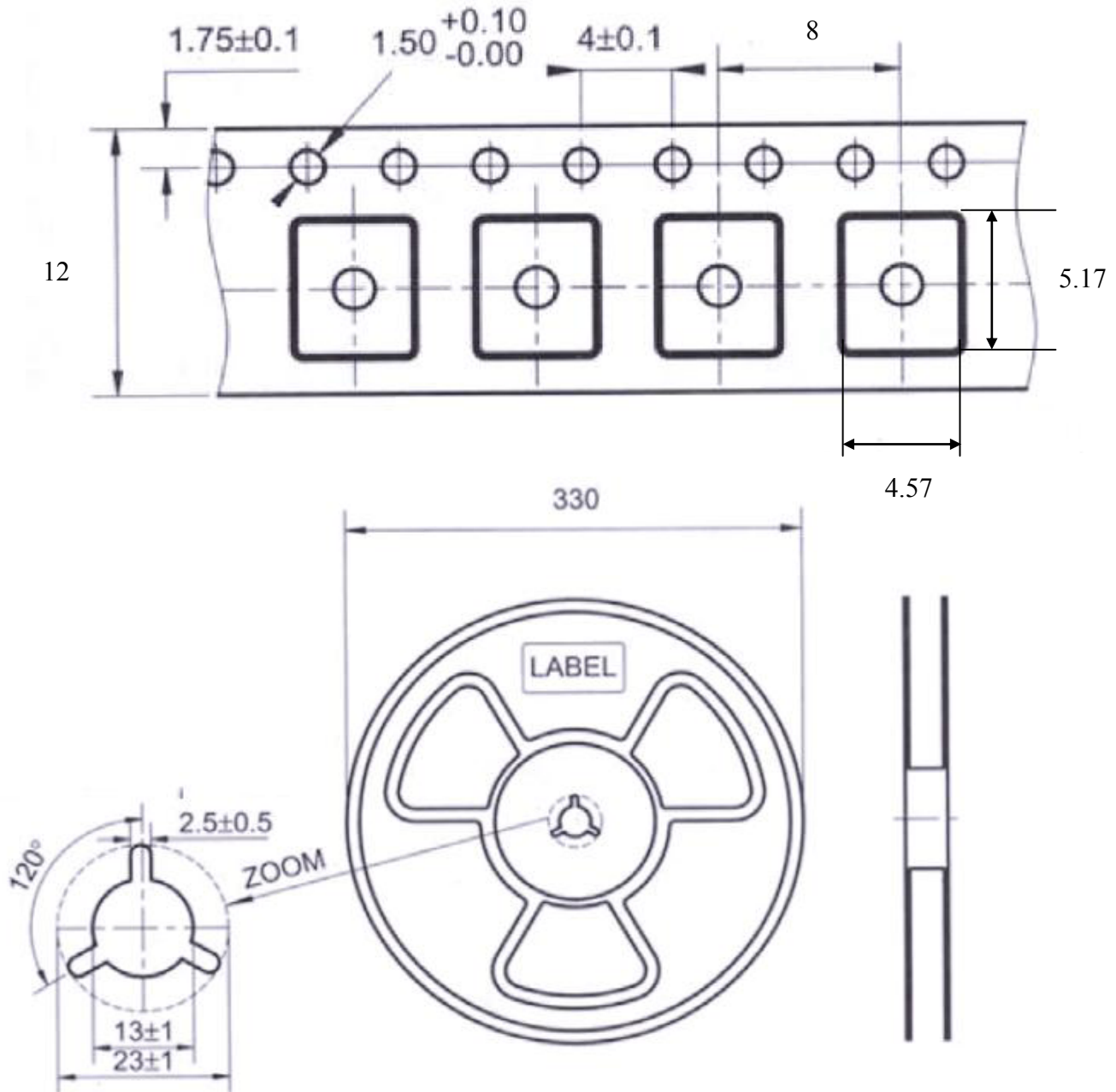


4.5 x 4.1 x 2.1mm

TAPE & REEL

Packing

T= tape and reel (3,500pc/reel)



Dimension: mm

ATTENTION: Abracon Corporation's products are COTS – Commercial-Off-The-Shelf products; suitable for Commercial, Industrial and, where designated, Automotive Applications. Abracon's products are not specifically designed for Military, Aviation, Aerospace, Life-dependant Medical applications or any application requiring high reliability where component failure could result in loss of life and/or property. For applications requiring high reliability and/or presenting an extreme operating environment, written consent and authorization from Abracon Corporation is required. Please contact Abracon Corporation for more information.

ABRACON IS
ISO 9001:2008
CERTIFIED



Visit www.abracon.com for Terms & Conditions of Sale **Revised: 01.30.14**
30332 Esperanza, Rancho Santa Margarita, California 92688
tel 949-546-8000 | fax 949-546-8001 | www.abracon.com