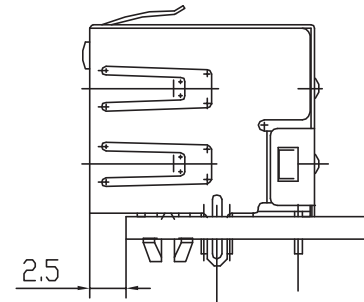
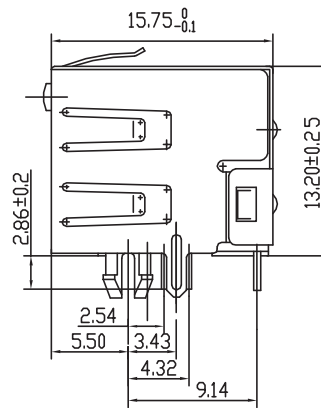
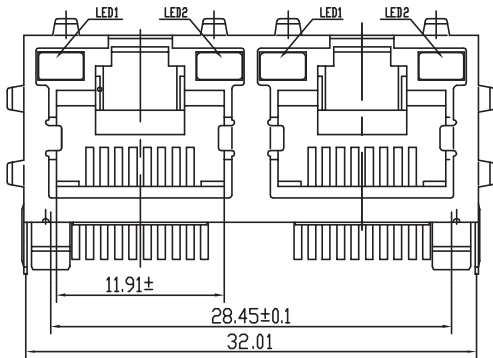


PCB LAYOUT - COMPONENT VIEW



TECHNICAL CHARACTERISTICS

MATERIAL  
 INSULATOR MATERIAL: PBT  
 FLAMMABILITY RATING: UL94-V0  
 COLOR: BLACK  
 CONTACT MATERIAL: COPPER ALLOY  
 CONTACT TYPE: STAMPED  
 CONTACT PLATING: SELECTIVE GOLD  
 SHIELDING: BRONZE NI PLATED  
 QUALITY CLASS: 500 MATING CYCLES

LED COLOR  
 LED 1: YELLOW  
 LED 2: GREEN

ENVIRONMENTAL  
 OPERATING TEMPERATURE: -40 °C UP TO 85 °C  
 COMPLIANCE: LEAD FREE AND ROHS

ELECTRICAL  
 CURRENT RATING: 1.5 A  
 WORKING VOLTAGE: 120 VAC  
 INSULATION RESISTANCE: >500 MΩ  
 WITHSTANDING VOLTAGE: 1 000 VAC/MIN  
 CONTACT RESISTANCE: 20 mΩ MAX

STANDARD  
 CERTIFIED: E324776

SOLDERING  
 JEDEC LEAD FREE WAVE SOLDERING PROCESS

PACKAGING  
 TRAY

RoHS Compliant

H	23-JUL-14	GENERAL UPDATE	AS
REV	DATE	FILE	BY

PROJECTION:	
APPROVAL: RJ	

GENERAL TOLERANCE	.X = +/- 0.2 .XX = +/- 0.15
UNIT: MM	
SCALE:	
SHEET: 1/1	
DRAW:	

**WÜRTH ELEKTRONIK**

DESCRIPTION: HORIZONTAL SHIELDED DUAL PORT WITH LED AND EMI PANEL FINGER 8P8C MODULAR JACK TAB UP
WERI PART NO: 615 016 137 721

SIZE  
**A4**