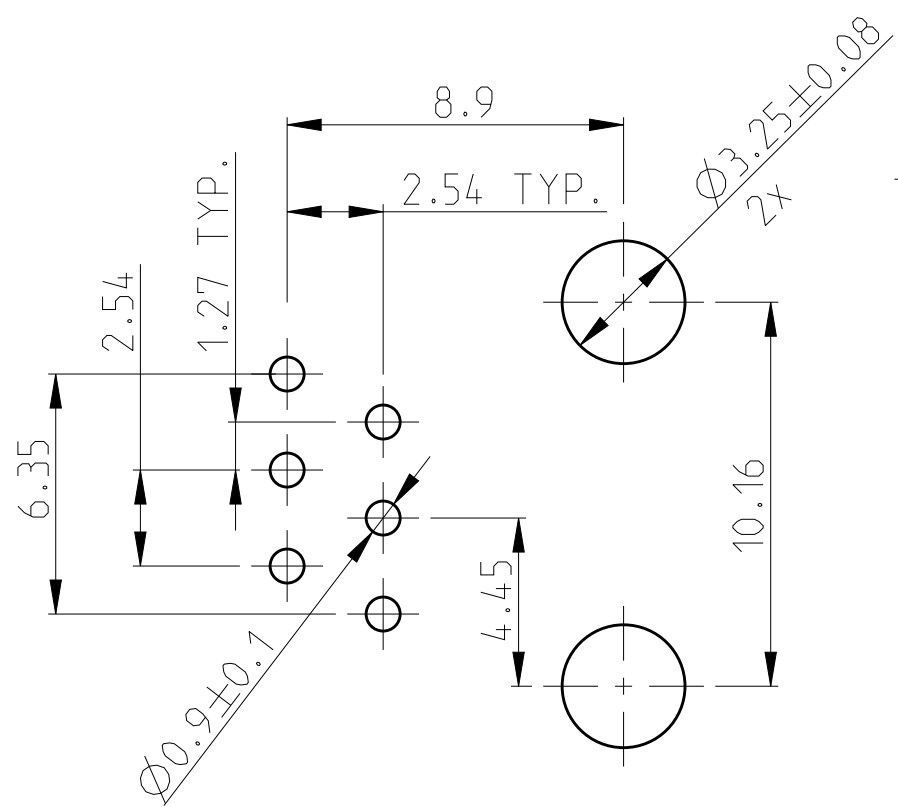
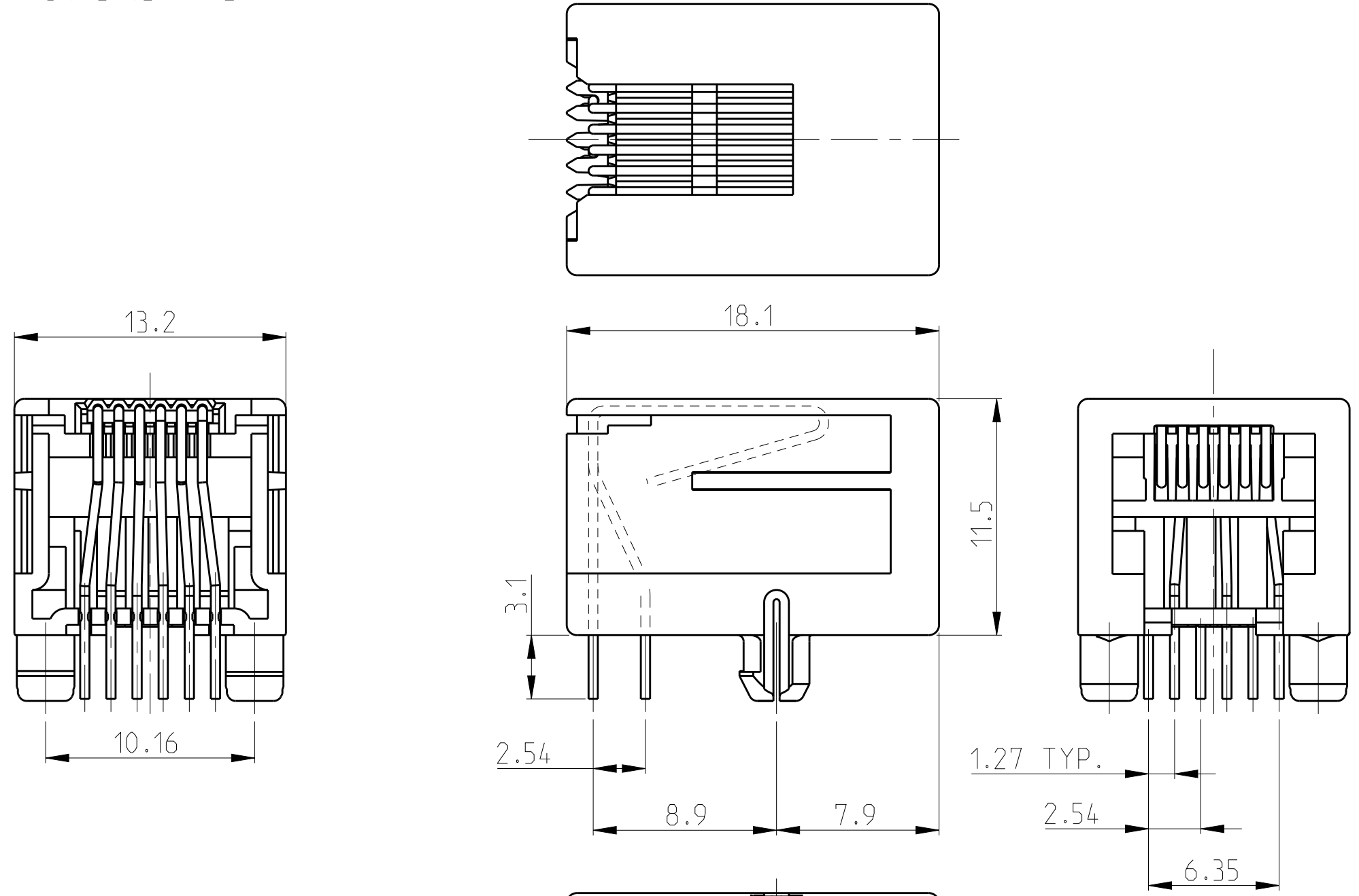
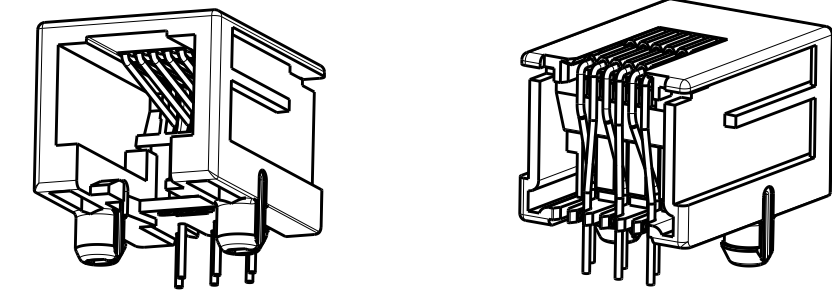


THIS DRAWING IS UNPUBLISHED. RELEASED FOR PUBLICATION 2000  
 © COPYRIGHT 2000 ALL RIGHTS RESERVED.

LOC		DIST		REVISIONS			
P	LTR	DESCRIPTION	DATE	DWN	APVD		
	AA	ECR-10-020218	28DEC2010	PS	RRP		
	AA1	ECR-10-026537	08AUG11	KK	HMR		
	AA2	ECR-13-013525	29AUG2013	CW	SH		
	AA3	REVISE PER ECO-12-008315	11MAY2015	AD	SH		



- SEE SHEET 2 FOR MODULAR JACK 6 POS./4 CONTACTS
- FOR APPLICATION INFORMATION SEE SPEC. 114-19019.
- FOR PERFORMANCE REQUIREMENTS SEE SPEC. 108-19064.
- TOLERANCES UNLESS OTHERWISE SPECIFIED:  $\pm 0,15\text{mm}$ .

 TRUE POSITIONING WILL NOT BE GUARANTEED USING THIS PACKAGING TYPE.




PRINTED CIRCUIT BOARD LAYOUT (6 POS./6 CONTACTS)

[VIEW SHOWN IS CIRCUIT (NON-COMPONENT) SIDE OF BOARD]  
 PRINTED CIRCUIT BOARD THICKNESS: 1,6mm NOMINAL.  
 TOLERANCES UNLESS OTHERWISE SPECIFIED:  $\pm 0,05$

PACKAGING	REMARKS	FINISH	MATERIAL	P/N
TAPE MOUNTED 800 PCS/REEL	6 POS./ 6 CONTACTS		HOUSING COLOR BLACK	2-215876-3
BULK PACKED 1000 PCS IN A BOX 	SUPERSEDED BY 215876-3		HOUSING AND CONTACT INSERT: UL 94-V0	<del>2-215876-1</del>
240 PIECES IN A TRAY	6 POS./ 6 CONTACTS	OVERALL: Ni 1.27 $\mu\text{m}$ MIN. ALL OVER THE CONTACTS	HOUSING PA 4.6 CONTACT INSERT: PCT	OBSOLETE <del>2-215876-0</del>
BULK PACKED 1000 PCS IN A BOX 	SUPERSEDED BY 215876-1	SOLDER ZONE: Sn 2.5 $\mu\text{m}$ MIN. ON THE SOLDER ZONE OF THE CONTACT	HOUSING COLOR BLACK PBT, UL 94 V-0	<del>3-215876-1</del>
240 PIECES IN A TRAY	6 POS./ 6 CONTACTS	MATING ZONE: PLATING CONFIRMS TO PRODUCT REQUIREMENTS AS PER SPECIFICATION 108-19064	CONTACT INSERT: PBT, UL 94 V-0	1-215876-3
<del>108 PCS IN A MULTI-TUBE</del>	<del>SUPERSEDED BY 1-215876-3</del>		CONTACTS: PH-BRONZE	<del>1-215876-1</del>
TAPE MOUNTED 800 PCS/REEL	6 POS./ 6 CONTACTS			215876-1

THIS DRAWING IS A CONTROLLED DOCUMENT.

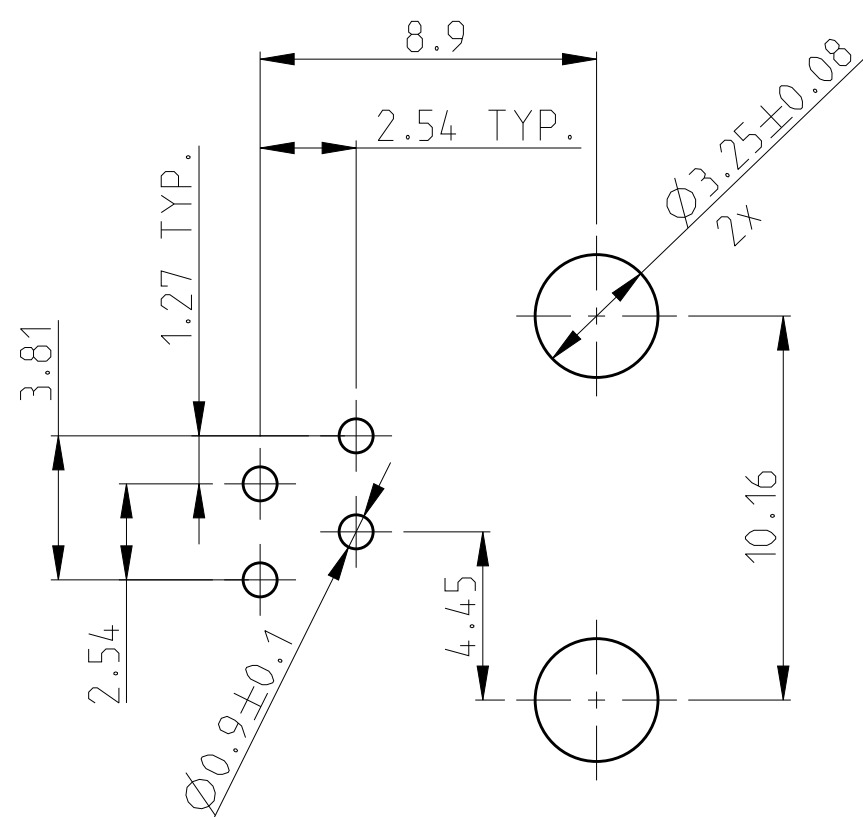
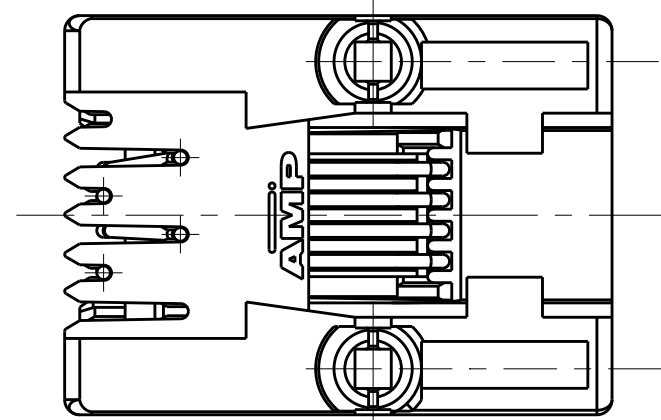
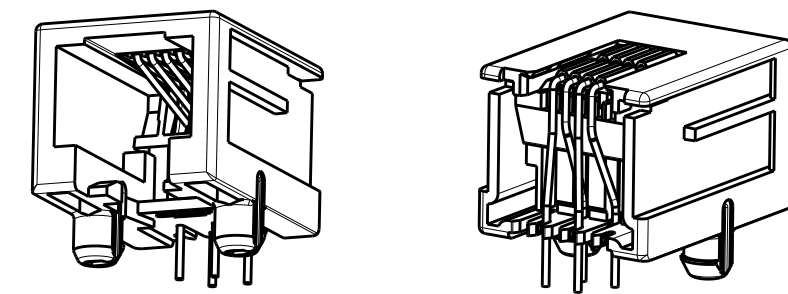
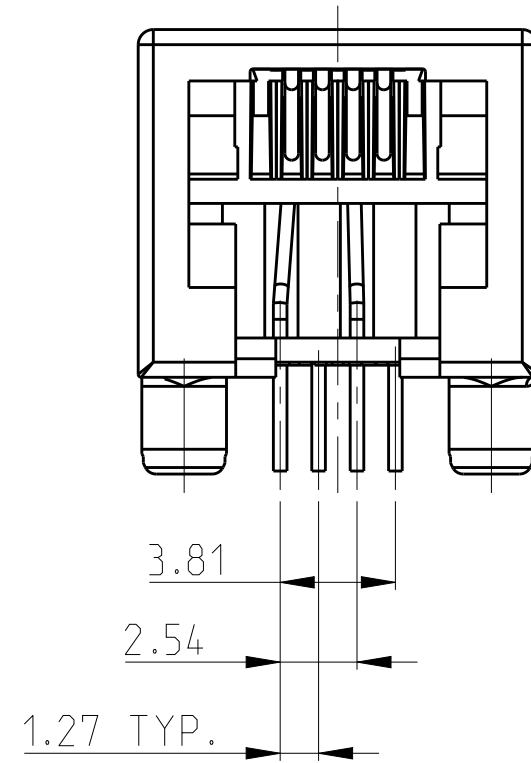
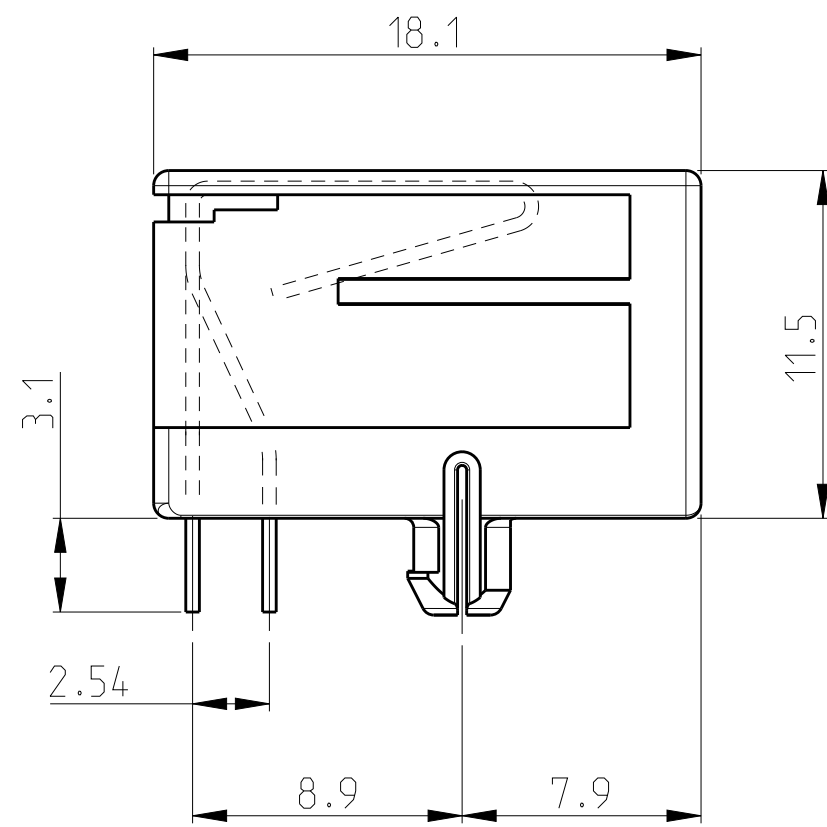
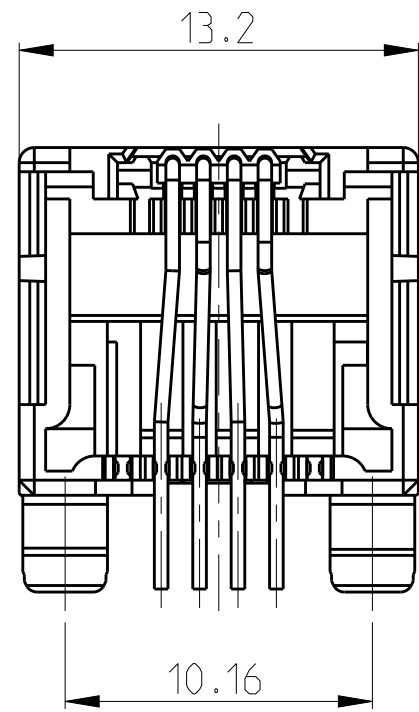
DWN: G.CONSTANT	24 SEP 96	 TE Connectivity	NAME: MODULAR JACK, SIDE ENTRY, 6/6 FOR PRINTED CIRCUIT BOARD
CHK: G.CONSTANT	24 SEP 96		
APVD: R.SMEETS	-		
PRODUCT SPEC: 108-19064	-		
DIMENSIONS: mm	TOLERANCES UNLESS OTHERWISE SPECIFIED:	APVD: R.SMEETS	NAME: MODULAR JACK, SIDE ENTRY, 6/6 FOR PRINTED CIRCUIT BOARD
0 PLC $\pm$	1 PLC $\pm$	PRODUCT SPEC: 108-19064	APPLICATION SPEC: 114-19019
2 PLC $\pm$	3 PLC $\pm$	APVD: R.SMEETS	APPLICATION SPEC: 114-19019
4 PLC $\pm$	ANGLES $\pm$	WEIGHT: -	SCALE: 4:1
MATERIAL: -	FINISH: -	CUSTOMER DRAWING	SHEET 1 OF 4

RESTRICTED TO: -  
 REV: AA3

THIS DRAWING IS UNPUBLISHED. RELEASED FOR PUBLICATION 2000  
 © COPYRIGHT 2000 ALL RIGHTS RESERVED.

LOC		DIST		REVISIONS			
P	LTR	DESCRIPTION	DATE	DWN	APVD		
-	-	SEE SHEET 1	-	-	-		

- 1 SEE SHEET 1 FOR MODULAR JACK 6 POS./6 CONTACTS.
- 2 FOR APPLICATION INFORMATION SEE SPEC. 114-19019.
- 3 FOR PERFORMANCE REQUIREMENT SEE SPEC. 108-19064.
- 4 TOLERANCES UNLESS OTHERWISE SPECIFIED: ±0.15.



PRINTED CIRCUIT BOARD LAYOUT (6 POS./4 CONTACT)

[VIEW SHOWN IS CIRCUIT (NON-COMPONENT) SIDE OF BOARD]  
 PRINTED CIRCUIT BOARD THICKNESS: 1.6mm NOMINAL.  
 TOLERANCES UNLESS OTHERWISE SPECIFIED: ± 0.05.

240 PIECES IN A TRAY	6 POS./ 4 CONTACTS	SAME AS 215876-2	SAME AS 215876-2	3-215876-2
TAPE MOUNTED 800 PCS/REEL	6 POS./ 4 CONTACTS	OVERALL: Ni 1.27 µm MIN. ALL OVER THE CONTACTS SOLDER ZONE: Sn 2.5 µm MIN. ON THE SOLDER ZONE OF THE CONTACT MATING ZONE: PLATING CONFIRMS TO PRODUCT REQUIREMENTS AS PER SPECIFICATION 108-19064	HOUSING COLOR BLACK: PBT, UL 94 V-0 CONTACT INSERT: PBT, UL 94 V-0 CONTACTS: Ph-BRONZE	215876-2
PACKAGING	REMARKS	FINISH	MATERIAL	P/N
	SUPERSEDED BY 215876-2			1-215876-2

THIS DRAWING IS A CONTROLLED DOCUMENT.

DIMENSIONS: mm	TOLERANCES UNLESS OTHERWISE SPECIFIED:	DWN G.CONSTANT 24 SEP 96	CHK G.CONSTANT 24 SEP 96	APVD R.SMEETS	NAME
0 PLC ±	1 PLC ±	PRODUCT SPEC	108-19064	114-19019	MODULAR JACK, SIDE ENTRY, 6/4 FOR PRINTED CIRCUIT BOARD
2 PLC ±	3 PLC ±	APPLICATION SPEC	114-19019	WEIGHT	SIZE A2
4 PLC ±	ANGLES ±	CUSTOMER DRAWING	SCALE 4:1	SHEET 2 OF 4	RESTRICTED TO
MATERIAL	FINISH				REV AA3

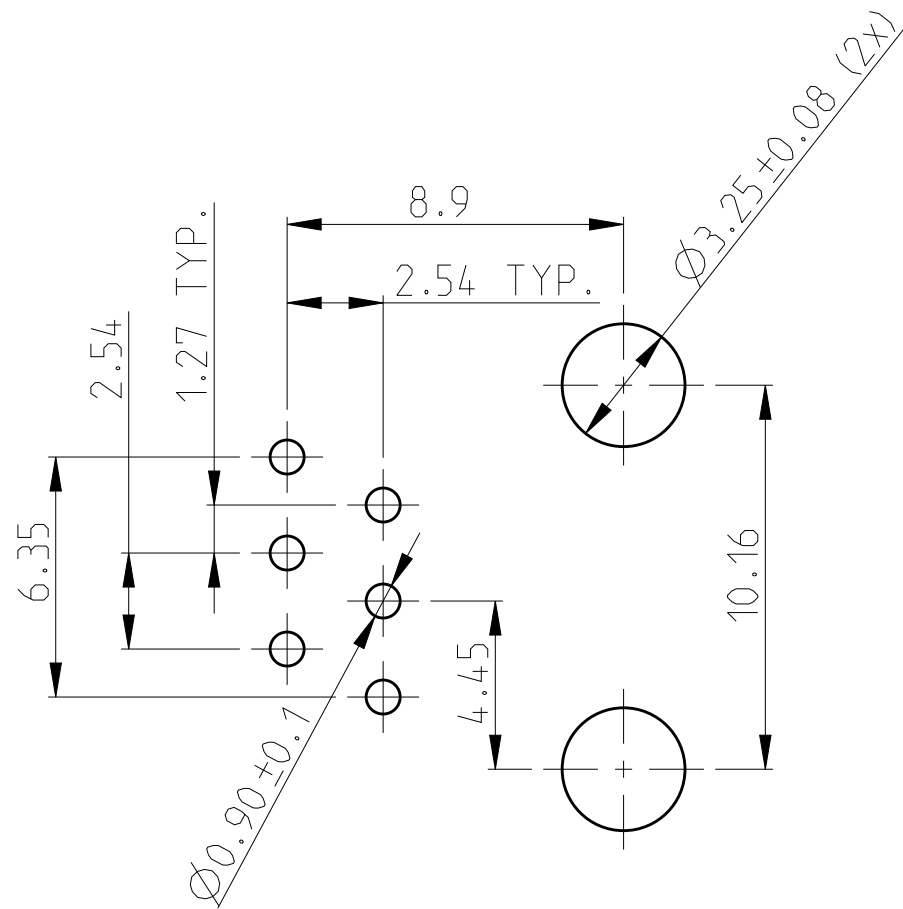
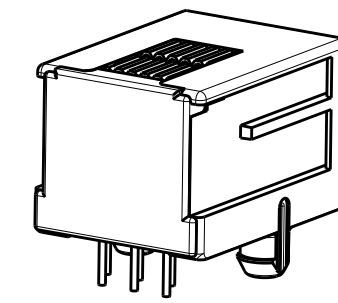
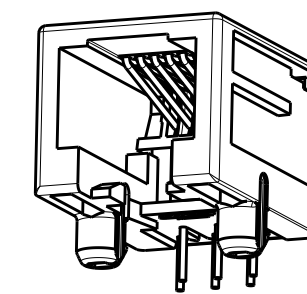
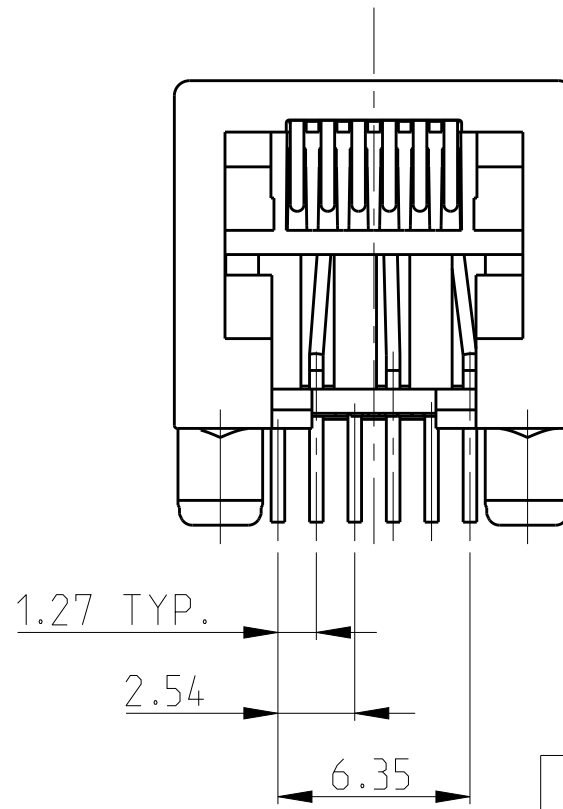
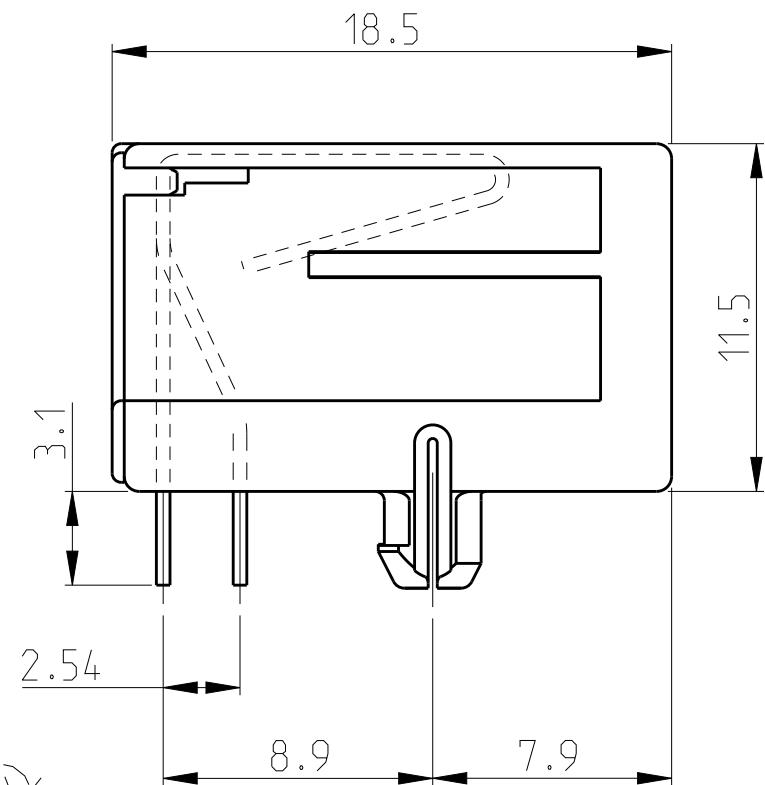
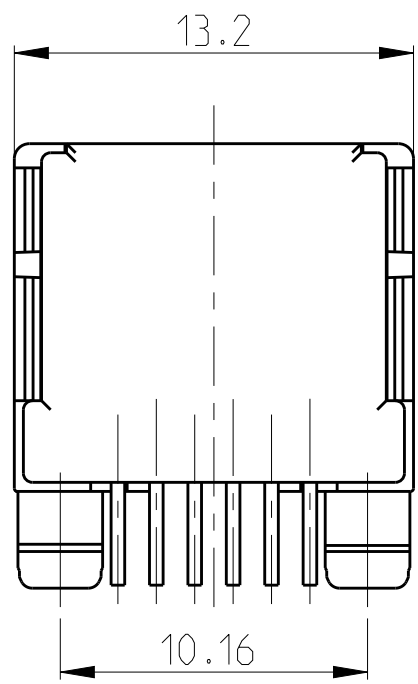
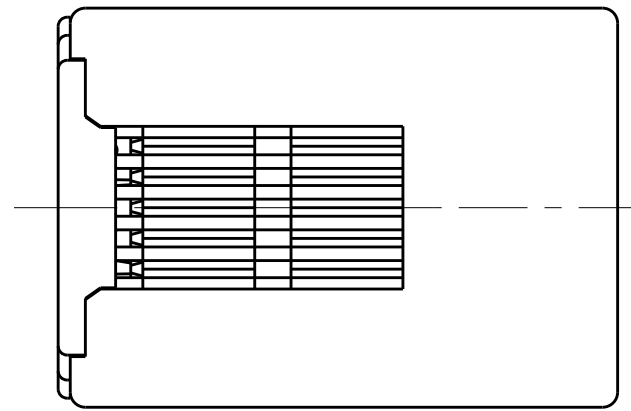
STE TE Connectivity

THIS DRAWING IS UNPUBLISHED. RELEASED FOR PUBLICATION 2000  
 © COPYRIGHT 2000 ALL RIGHTS RESERVED.

LOC	DIST	REVISIONS			
P	LTR	DESCRIPTION	DATE	DWN	APVD
-	-	SEE SHEET 1	-	-	-
-	-		-	-	-

- SEE SHEET 4 FOR MODULAR JACK 6 POS./4 CONTACTS WITH CONTACT COVER.
- FOR APPLICATION INFORMATION SEE SPEC. 114-19019.
- FOR PERFORMANCE REQUIREMENTS SEE SPEC. 108-19064.
- TOLERANCES UNLESS OTHERWISE SPECIFIED:  $\pm 0,15\text{mm}$ .

TRUE POSITIONING WILL NOT BE GUARANTEED USING THIS PACKAGING TYPE.



PRINTED CIRCUIT BOARD LAYOUT (6 POS./6 CONTACTS)

[VIEW SHOWN IS CIRCUIT (NON-COMPONENT) SIDE OF BOARD]  
 PRINTED CIRCUIT BOARD THICKNESS: 1,6mm NOMINAL.  
 TOLERANCES UNLESS OTHERWISE SPECIFIED:  $\pm 0,05$

OBSOLETE

OBSOLETE

OBSOLETE

PACKAGING	REMARKS	FINISH	MATERIAL	P/N
BULK PACKED 1000 PCS IN A BOX			HOUSING COLOR BLACK PBT, UL94 V-0	5-215876-4
240 PIECES IN A TRAY	6 POS./ 6 CONTACTS	IN CONTACT AREA: 1,2 μm MIN. SEL. GOLD OVER 1,2 μm MIN. NICKEL	CONTACT INSERT: PBT, UL94 V-0	5-215876-3
TAPE MOUNTED 800 PCS/REEL		SOLDER TINES: 2,5 μm MIN. TIN OVER 1,2 μm MIN. NICKEL	CONTACT COVER: PBT, UL94 V-0	5-215876-1
			CONTACTS: PH-BRONZE	

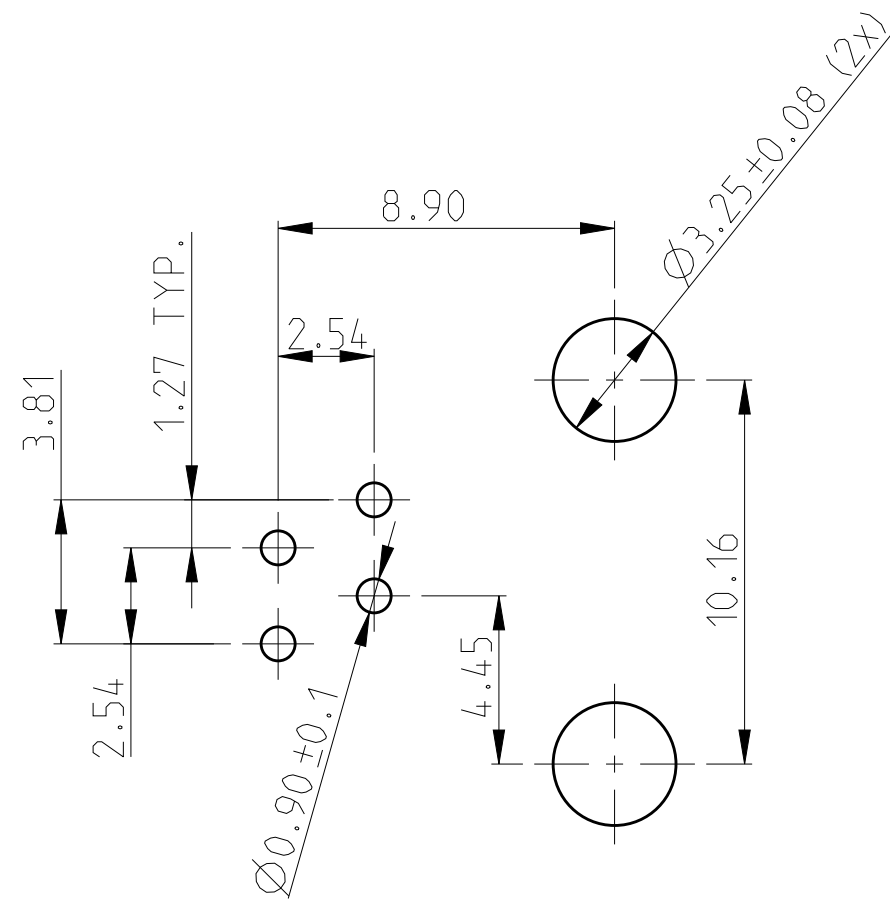
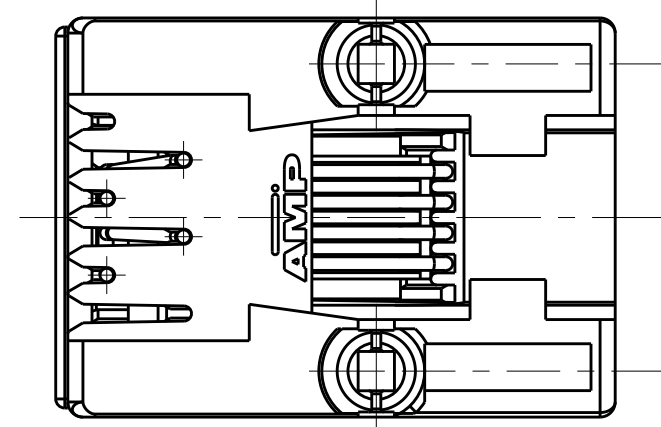
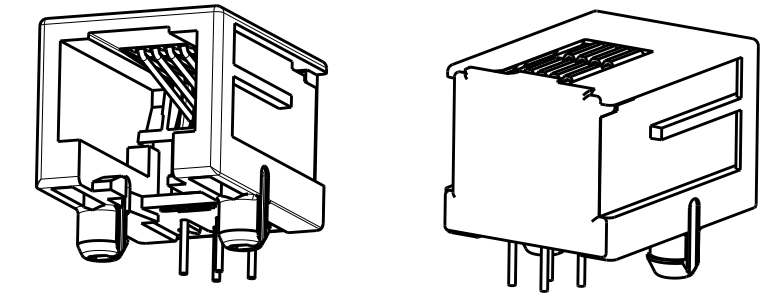
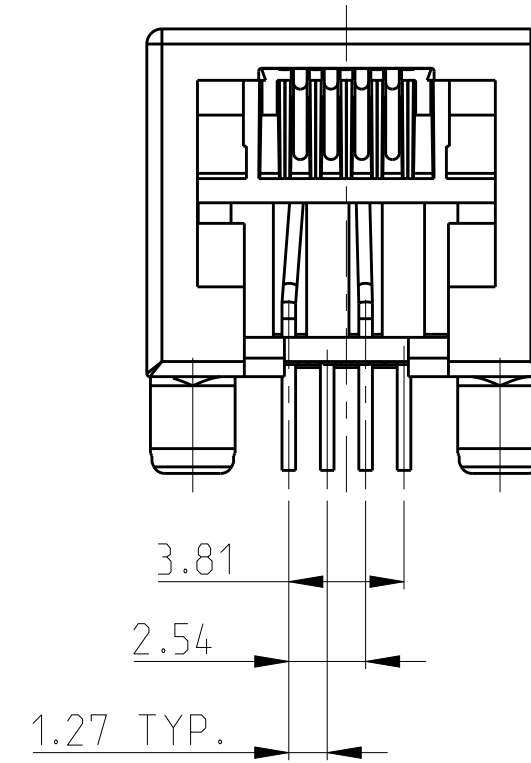
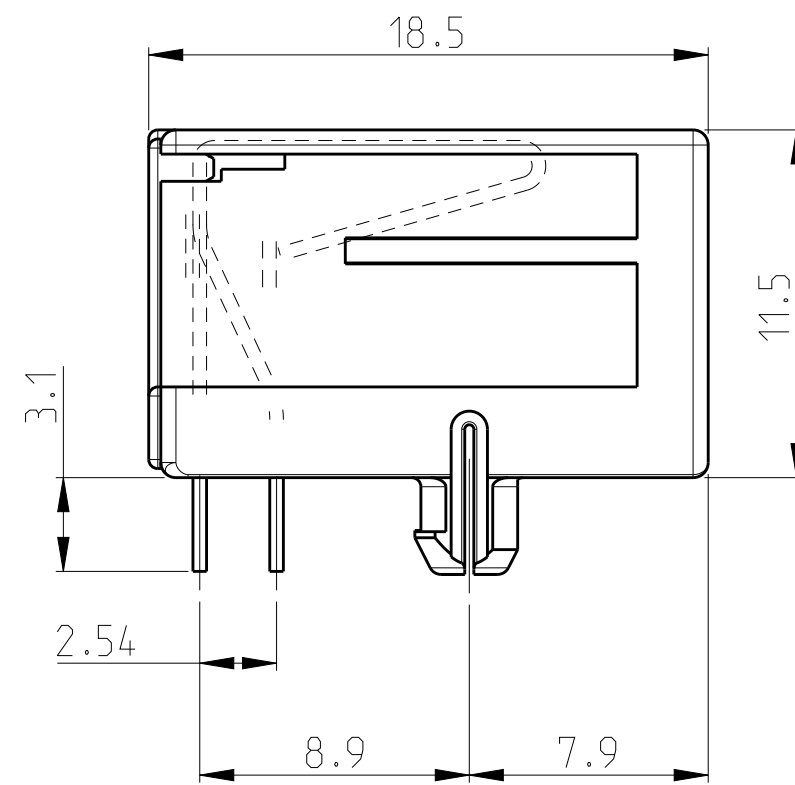
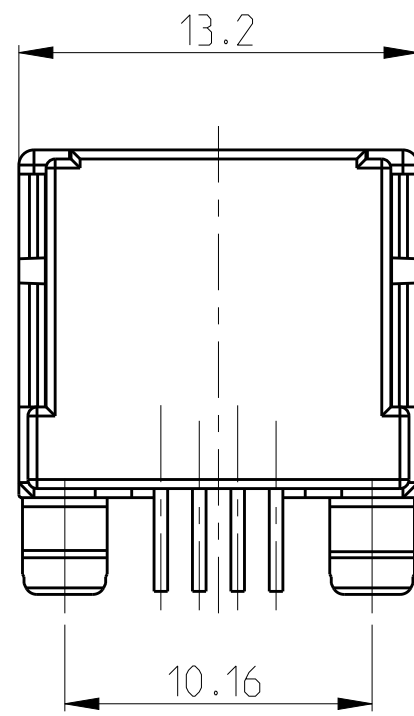
THIS DRAWING IS A CONTROLLED DOCUMENT.

DIMENSIONS: mm	TOLERANCES UNLESS OTHERWISE SPECIFIED:	DWN P.Willems 10-OCT-05	TE Connectivity
	0 PLC ±	CHK P.Willems 10-OCT-05	
	1 PLC ±	APVD J.Broeksteeg 10-OCT-05	
	2 PLC ±	PRODUCT SPEC 108-19064	
	3 PLC ±	APPLICATION SPEC 114-19019	NAME MODULAR JACK, SIDE ENTRY, 6/6 FOR PRINTED CIRCUIT BOARD WITH CONTACT COVER
	4 PLC ±	WEIGHT -	SIZE A2
MATERIAL -	FINISH -	CUSTOMER DRAWING	CAGE CODE C-215876
		SCALE 4:1	DRAWING NO. C-215876
		SHEET 3 OF 4	RESTRICTED TO -
		REV AA3	

THIS DRAWING IS UNPUBLISHED. RELEASED FOR PUBLICATION 2000  
 © COPYRIGHT 2000 ALL RIGHTS RESERVED.

LOC	DIST	REVISIONS			
P	LTR	DESCRIPTION	DATE	DWN	APVD
-	-	SEE SHEET 1	-	-	-

- 1 SEE SHEET 3 FOR MODULAR JACK 6 POS./6 CONTACTS WITH CONTACT COVER.
- 2 FOR APPLICATION INFORMATION SEE SPEC. 114-19019.
- 3 FOR PERFORMANCE REQUIREMENT SEE SPEC. 108-19064.
- 4 TOLERANCES UNLESS OTHERWISE SPECIFIED:  $\pm 0,15$ .



PRINTED CIRCUIT BOARD LAYOUT (6 POS./4 CONTACT)

[VIEW SHOWN IS CIRCUIT (NON-COMPONENT) SIDE OF BOARD]  
 PRINTED CIRCUIT BOARD THICKNESS: 1,6mm NOMINAL.  
 TOLERANCES UNLESS OTHERWISE SPECIFIED:  $\pm 0,05$ .

OBSOLETE

TAPE MOUNTED 800 PCS/REEL	6 POS./ 4 CONTACTS	IN CONTACT AREA: 1,2 $\mu$ m MIN. SEL. GOLD OVER 1,2 $\mu$ m MIN. NICKEL	HOUSING COLOR BLACK PBT, UL94 V-0	5-215876-2
		SOLDER TINES: 2,5 $\mu$ m MIN. TIN OVER 1,2 $\mu$ m MIN. NICKEL	CONTACT INSERT: PBT, UL94 V-0	
PACKAGING	REMARKS	FINISH	CONTACT COVER: PBT, UL94 V-0	
			CONTACTS: PH-BRONZE	
			MATERIAL	P/N

THIS DRAWING IS A CONTROLLED DOCUMENT.

DWN	P. Willem	10-OCT-05
CHK	P. Willem	10-OCT-05
APVD	J. Broeksteeg	10-OCT-05

PRODUCT SPEC: 108-19064  
 APPLICATION SPEC: 114-19019  
 WEIGHT: -

**STE** TE Connectivity

NAME: MODULAR JACK, SIDE ENTRY, 6/4 FOR PRINTED CIRCUIT BOARD WITH CONTACT COVER

SIZE: A2 CAGE CODE: DRAWING NO: C-215876 RESTRICTED TO: -

CUSTOMER DRAWING SCALE: 4:1 SHEET 4 OF 4 REV: AA3