

4832, PCB terminals, screened, 2-pole, Audio Plug/Sockets, 3.5 mm



Description

- PCB Mounting :
Screw-on mounting , from rear-side
- Audio entrances and exits
- Data and Signal transfer
- Audio Plug: 2-pole , shielded , straight

References

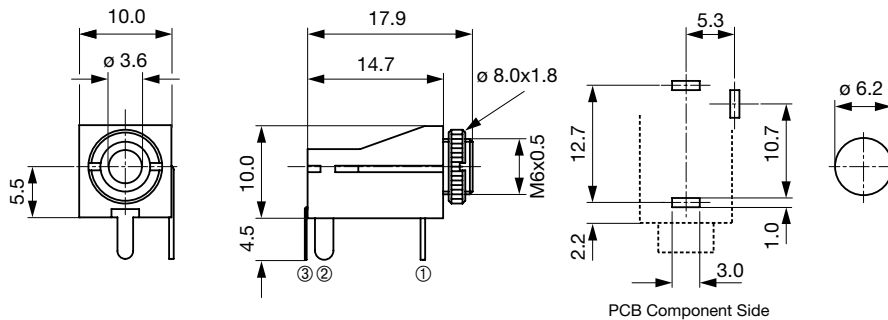
Alternative: Housing insulated [4832.2230](#)

Technical Data

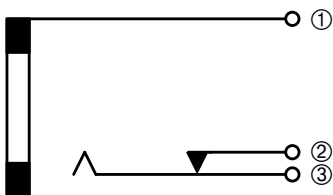
Diameter	3.5 mm
Number of Poles	2-pole
Ratings DC	0.5 A / 30 VDC
Ratings AC	0.5 A / 30 VAC
Dielectric Strength	500VDC
Insulation Resistance	> 100 MΩ @ 500VDC

Allowable Operation Temp.	-20 °C to 70 °C
Terminal	PCB terminals silver plated
Mounting	Screw-on mounting wall thickness max. 1.4 mm
Housings	screened
Style	straight
Lifetime	5000 Insertions

Dimensions



Diagrams



All Variants

Product group	Diameter [mm]	Number of Poles	Terminal	Order Number
Audio Plug/Sockets	3.5	2-pole	PCB terminals	4832.2220

Most Popular.

Availability for all products can be searched real-time:<http://www.schurter.com/Stock-Check/Stock-Check-SCHURTER>

Packaging unit 100 Pcs

Mating Inlets/Plugs

Category / Description

[Audio Plug/Sockets Overview complete](#)



4832, solder terminal, screened, 2-pole, Audio Plug/Sockets, 3.5 mm	4832.1200
4832, solder terminal, insulated, 2-pole, Audio Plug/Sockets, 3.5 mm	4832.1211
4832, solder terminal, insulated, 2-pole, Audio Plug/Sockets, 3.5 mm	4832.1220

[Audio Plug/Sockets further types to 4832.2220](#)