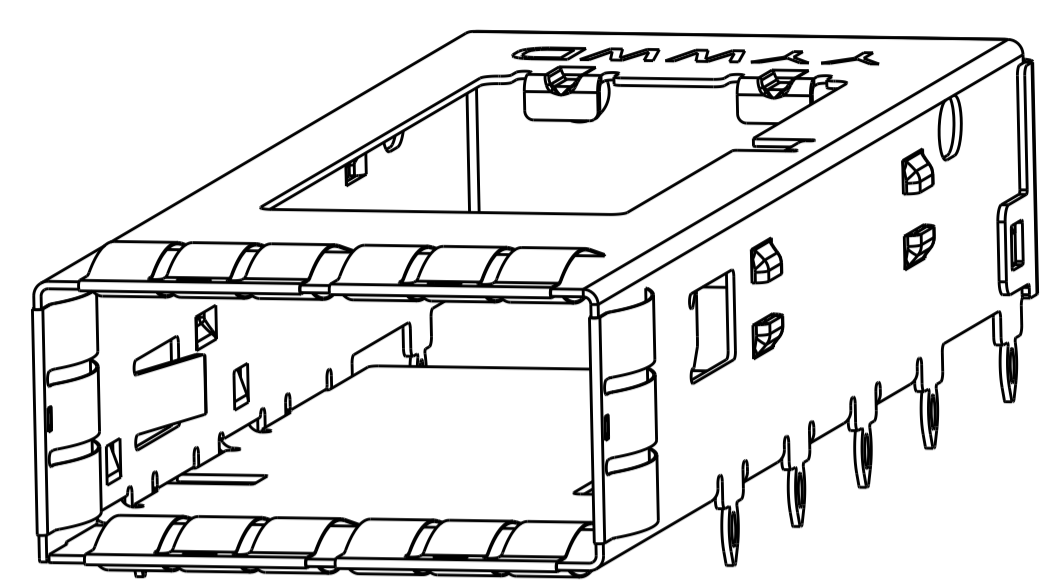
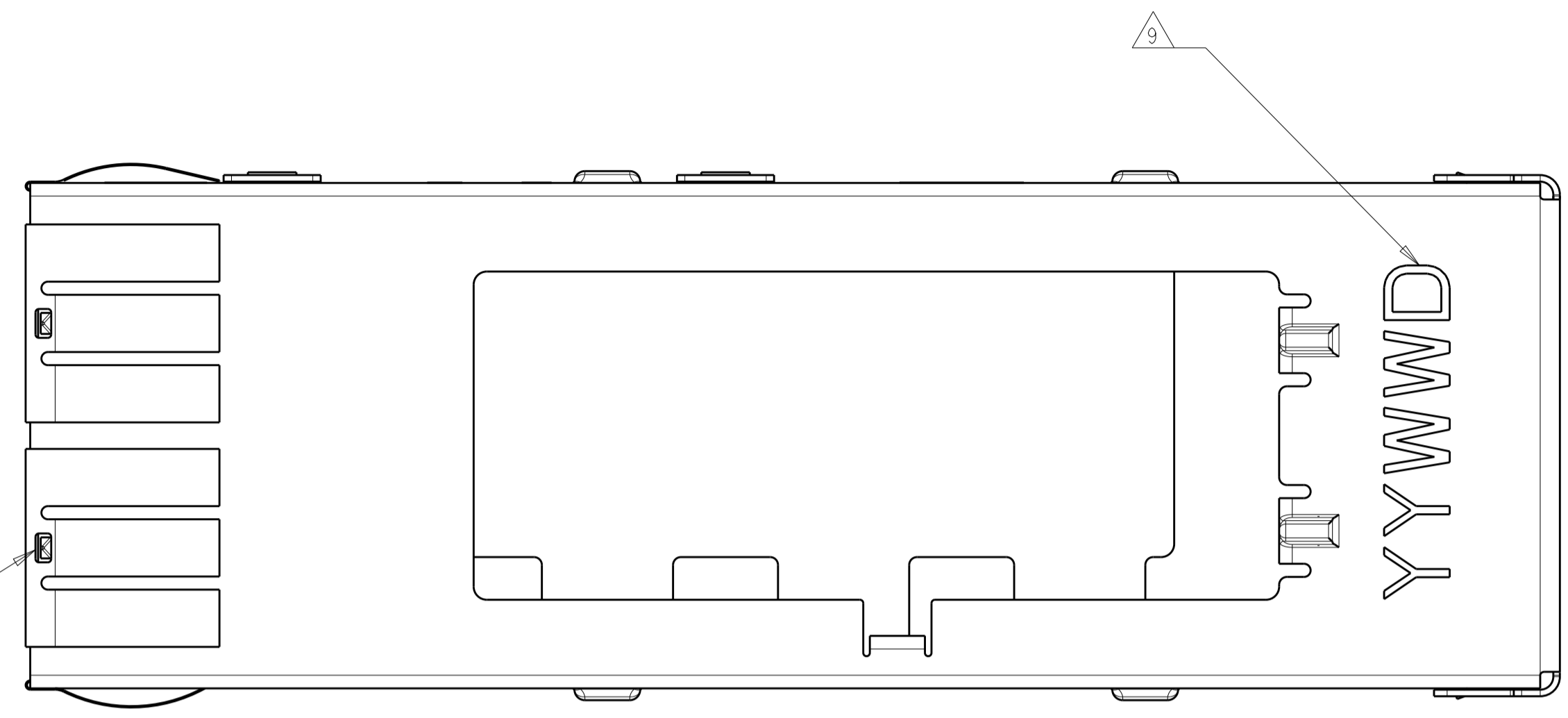


LOC		DIST		REVISIONS			
GP		00		REV	DATE	BY	CHK
				A	FIRST ACTIVE	19MAR2014	HW MC

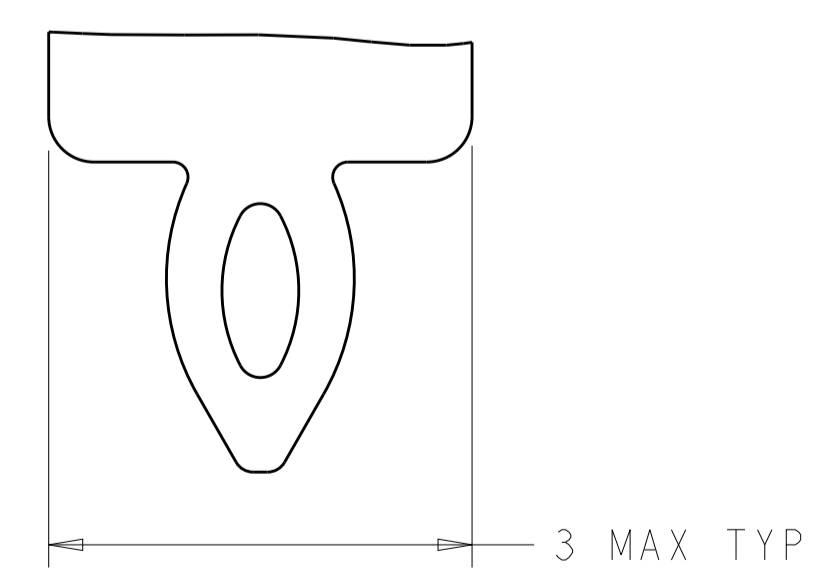
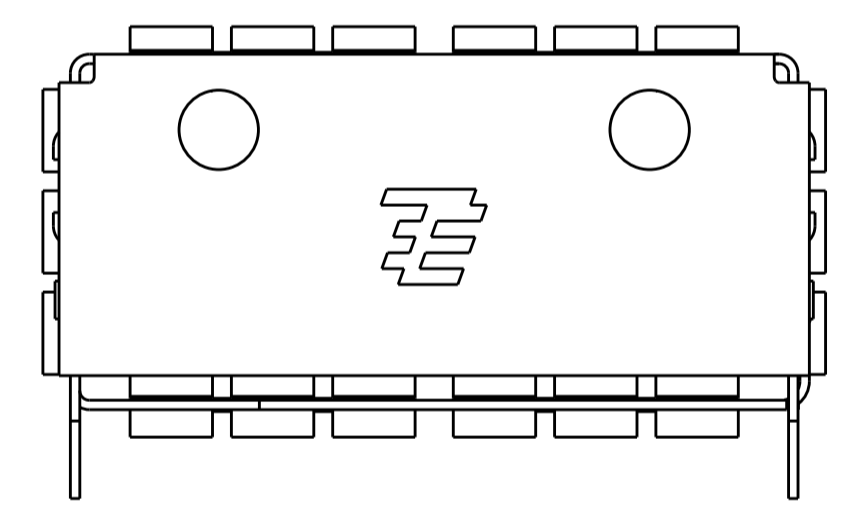
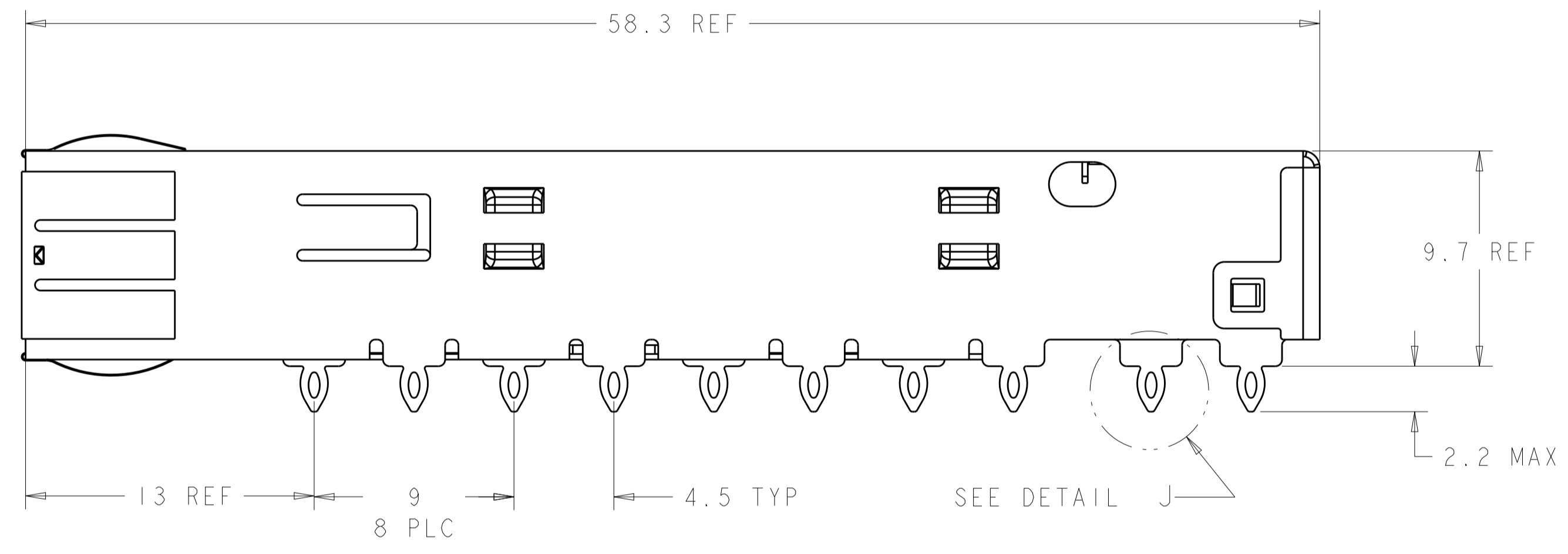
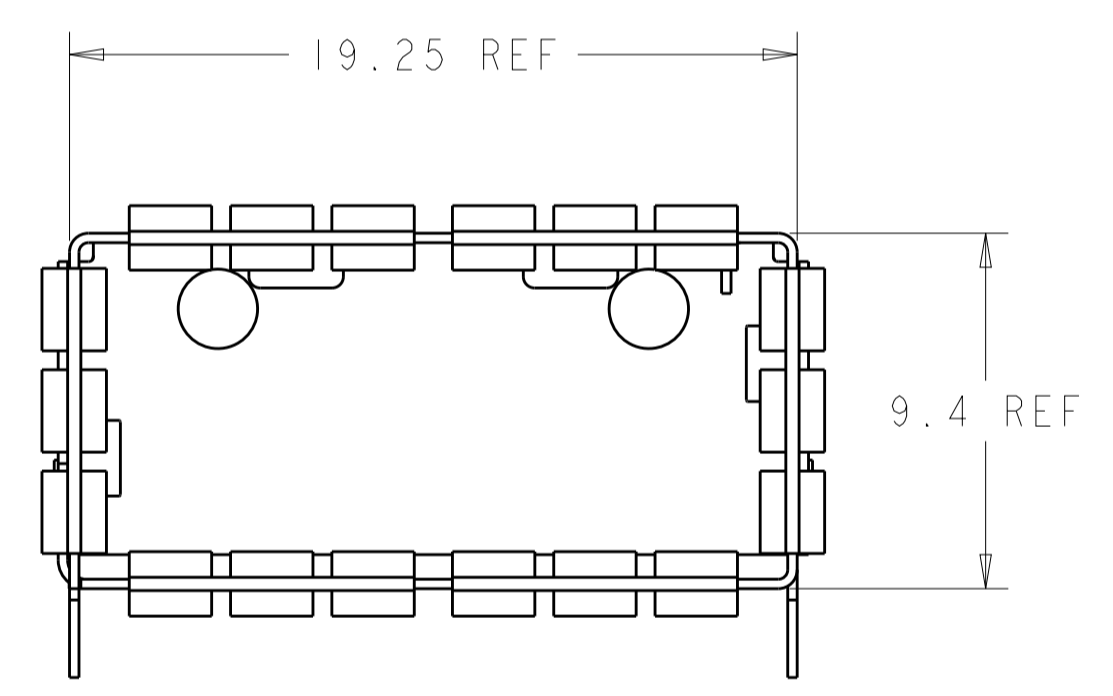


ISOMETRIC VIEW  
SCALE 4:1

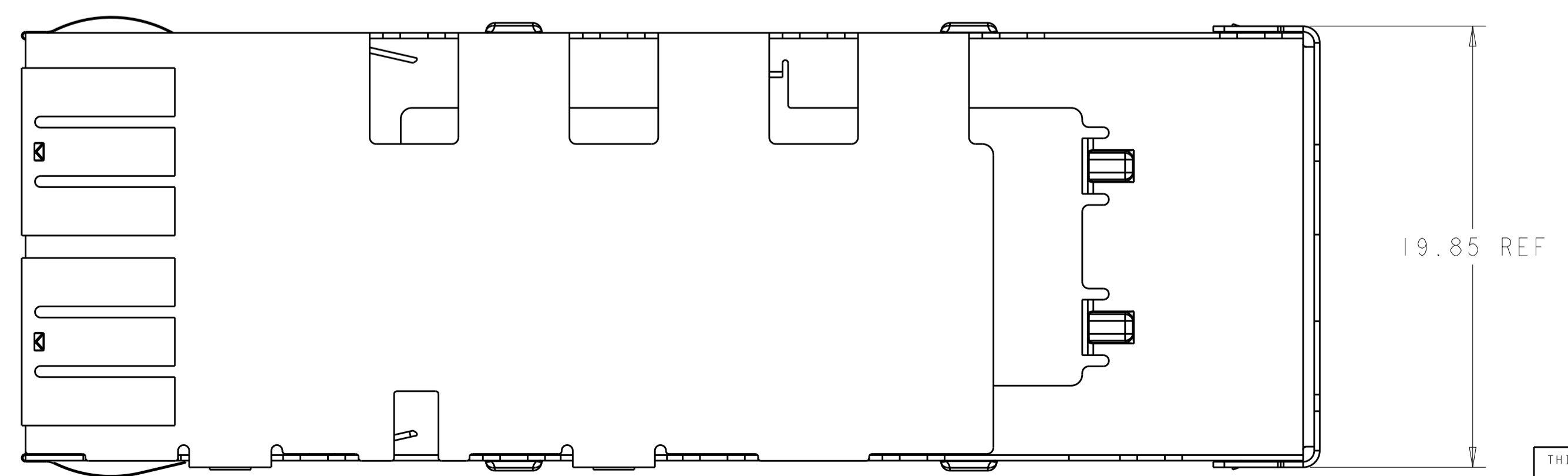
Sn42Bi58 SOLDER  
6 PLACES



- ⚠ CAGE MATERIAL: 0.25 THICK NICKEL SILVER.  
SPRING MATERIAL: COPPER ALLOY
- ② MINIMUM PITCH DIMENSION.
- 3. MATES WITH QSFP MSA COMPATIBLE TRANSCEIVER.
- ⚠ REFERENCE APPLICATION SPEC 114-13217 FOR RECOMMENDED DRILL HOLE DIAMETER AND PLATING THICKNESS.
- ⑤ DATUM AND BASIC DIMENSIONS ESTABLISHED BY CUSTOMERS.
- 6. MINIMUM PC BOARD THICKNESS:  
SINGLES SIDED: 1.45  
DOUBLE SIDED: 2.2.
- ⚠ DATUM -A- IS TOP SURFACE OF THE HOST BOARD.
- ⚠ SURFACE TRACES PERMITTED WITHIN THIS AREA EXCEPT WHERE CAGE STANDOFFS, SHOWN IN DETAIL J, CONTACT PC BOARD.
- ⑨ DATE CODE (YYWWD) MARKED APPROXIMATELY AS SHOWN.
- ⚠ SPRING FINISH: 0.8μm MIN TIN OVER 0.8μm MIN NICKEL, NON-PLATED EDGES PERMISSIBLE.
- 11. PRODUCT HAS NOT COMPLETED QUALIFICATION TESTING.



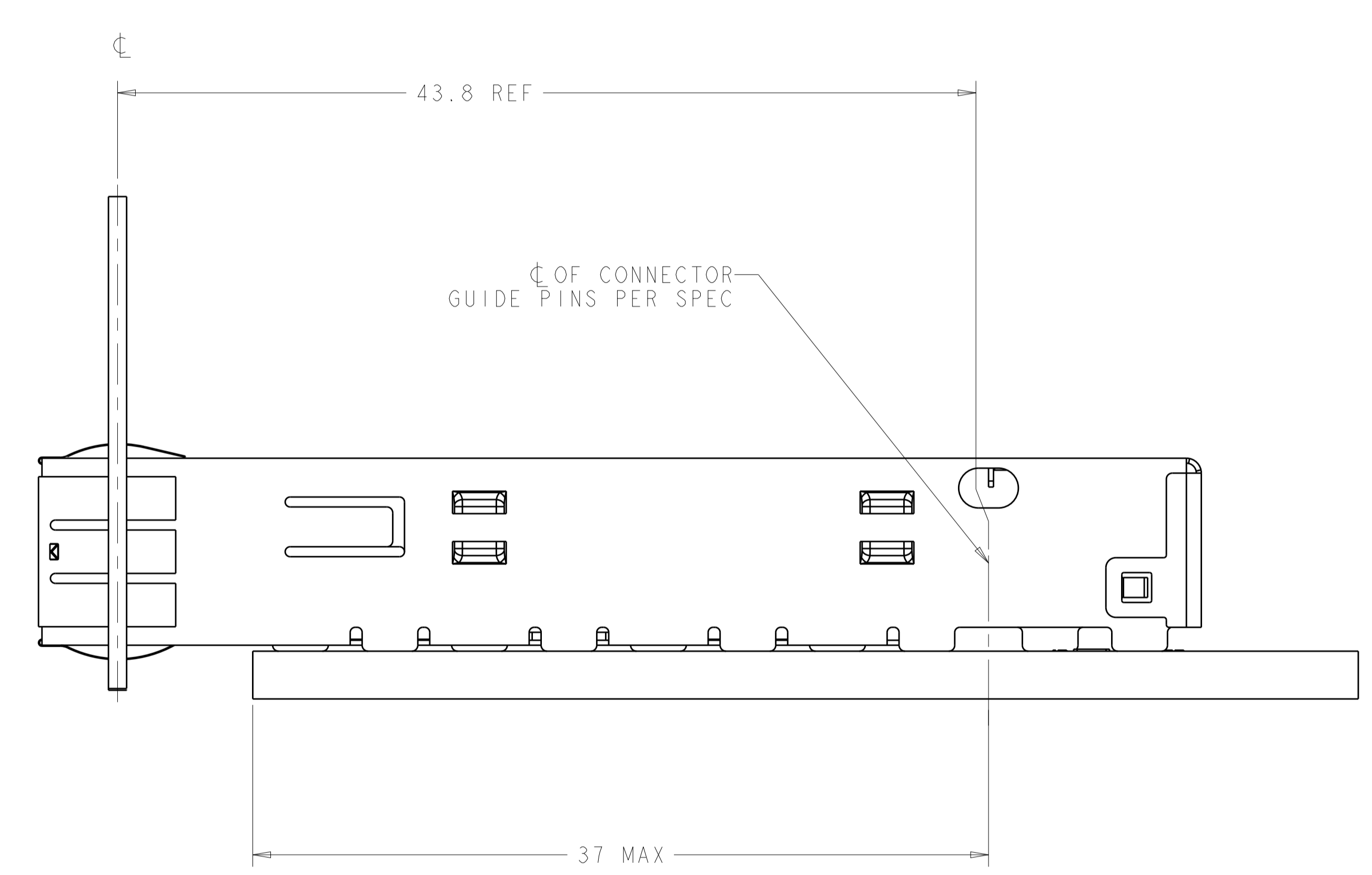
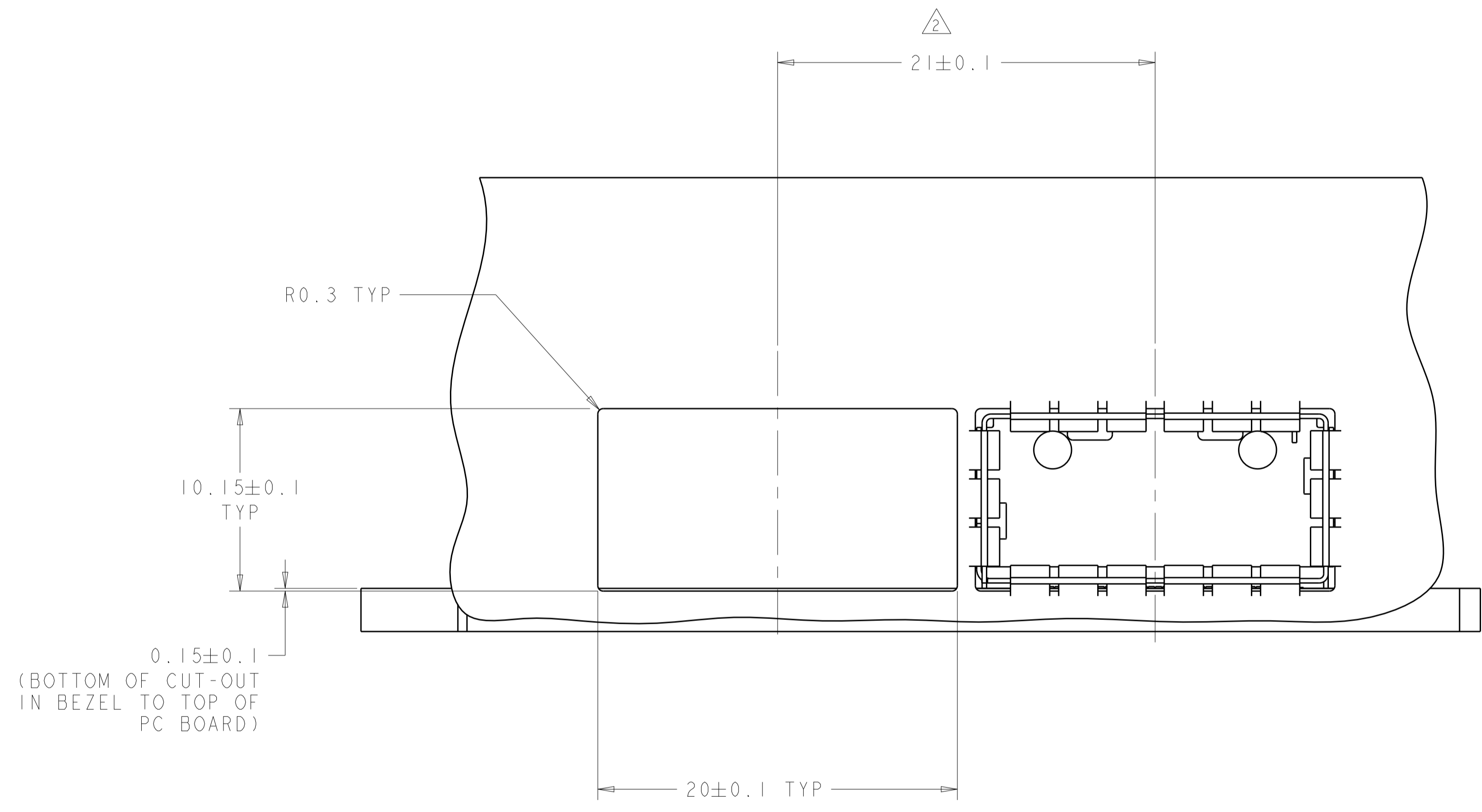
DETAIL J  
SCALE 20:1



2170519-1  
PART NUMBER

THIS DRAWING IS A CONTROLLED DOCUMENT.		DWN: HANK WU 11APR13	TE Connectivity	
DIMENSIONS: mm		CHK: JASON YANG 11APR13		
TOLERANCES UNLESS OTHERWISE SPECIFIED:		APVD: AILEY CAI 11APR13	NAME: CAGE ASSEMBLY, THRU BEZEL, QSFP	
0 PLC ±	1 PLC ±0.20	PRODUCT SPEC	SIZE: CAGE CODE DRAWING NO	
2 PLC ±	3 PLC ±	108-2286	RESTRICTED TO	
4 PLC ±	ANGLES ±	APPLICATION SPEC	A100779C=2170519	
MATERIAL	FINISH	114-13217	SCALE 5:1 SHEET 1 OF 3 REV A	
Customer Drawing		WEIGHT		

LOC	DIST	REVISIONS					
GP	00	P	LTN	DESCRIPTION	DATE	DWN	APVD
-	-	-	-	SEE SHEET 1	-	-	-



THIS DRAWING IS A CONTROLLED DOCUMENT.		DWN: HANK WU 11APRT3	TE Connectivity
DIMENSIONS: mm		CHK: JASON YANG 11APRT3	
TOLERANCES UNLESS OTHERWISE SPECIFIED:		APVD: AILEY CAI 11APRT3	NAME: CAGE ASSEMBLY, THRU BEZEL, QSFP
0 PLC ±	1 PLC ±	PRODUCT SPEC	SIZE: A
2 PLC ±0.20	3 PLC ±	108-2286	CAGE CODE: 100779
4 PLC ±	ANGLES ±	APPLICATION SPEC	DRAWING NO: C=2170519
MATERIAL	FINISH	114-13217	RESTRICTED TO
Customer Drawing		WEIGHT	SCALE: 5:1
			SHEET 2 OF 3
			REV A

