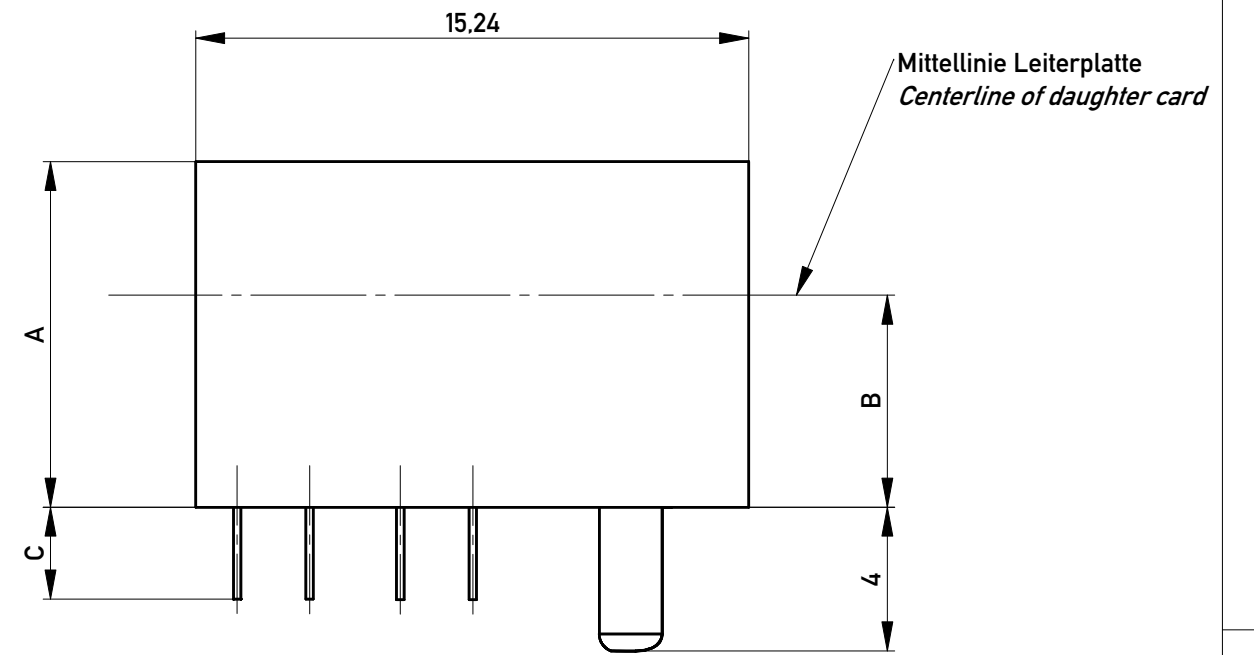
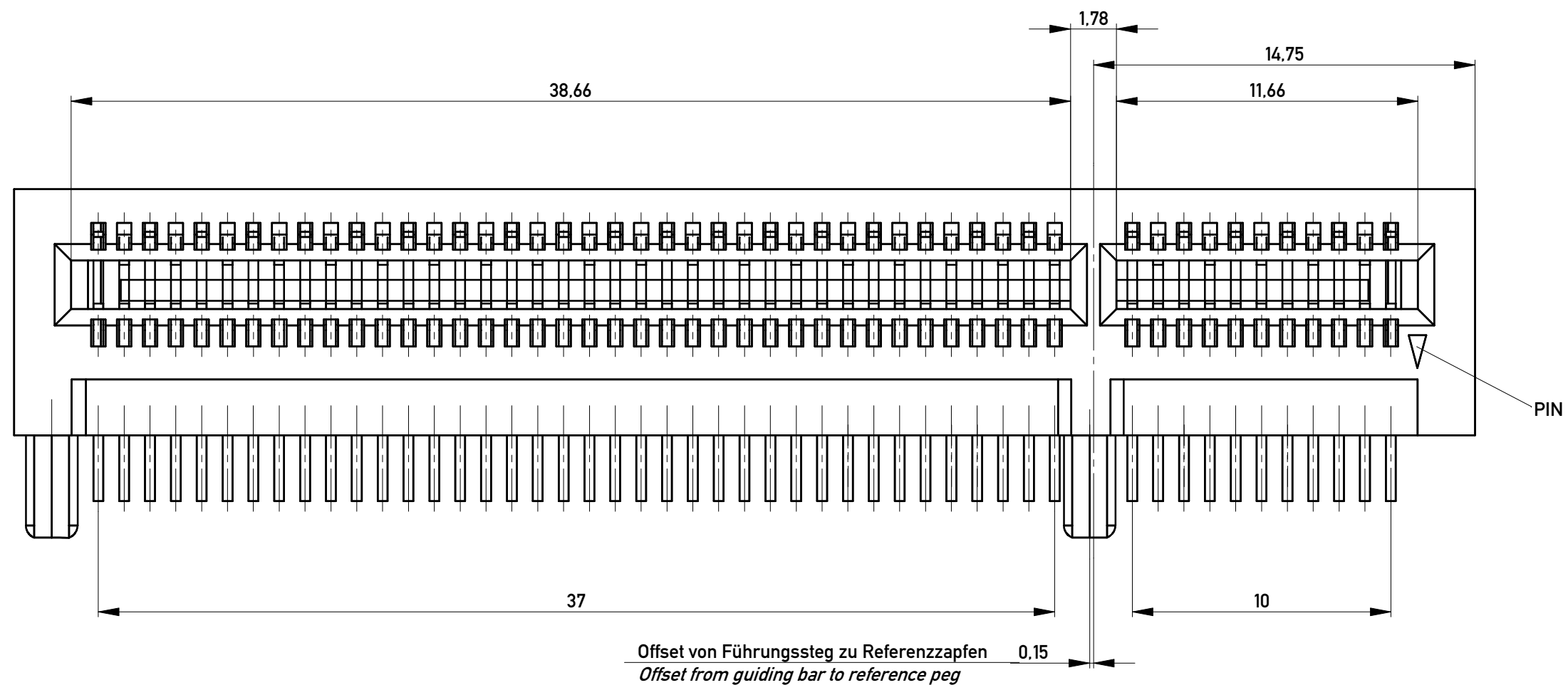
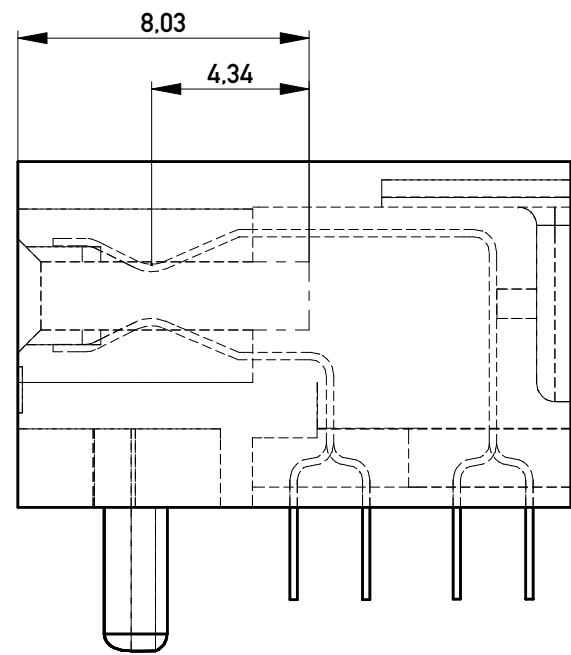
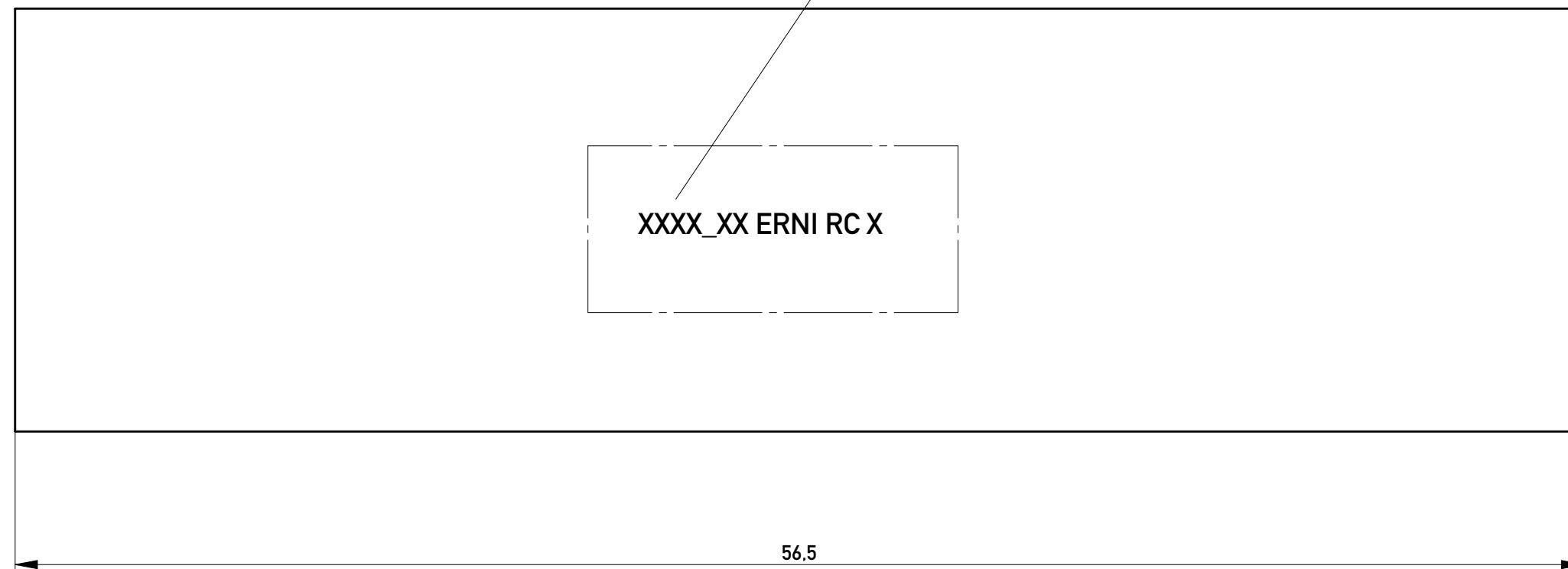


Detail contact area



Offset von Führungssteg zu Referenzzapfen  
Offset from guiding bar to reference peg

Datum  
Date code (see notes)



NOTES :

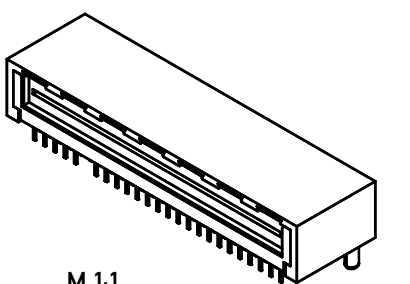
Material: LCP GF 30 schwarz  
Material: LCP GF 30 black

Galvanik: min. 1,27 µm Unternickelung  
über den gesamten PIN - Bereich  
min. 0,127 µm Au im Steckbereich  
Gold - Flash im Lötbereich

Plating: min. 1,27 µm Ni entire contact  
min. 0,127 µm Au in contact area  
Gold - Flash plating on contact tails

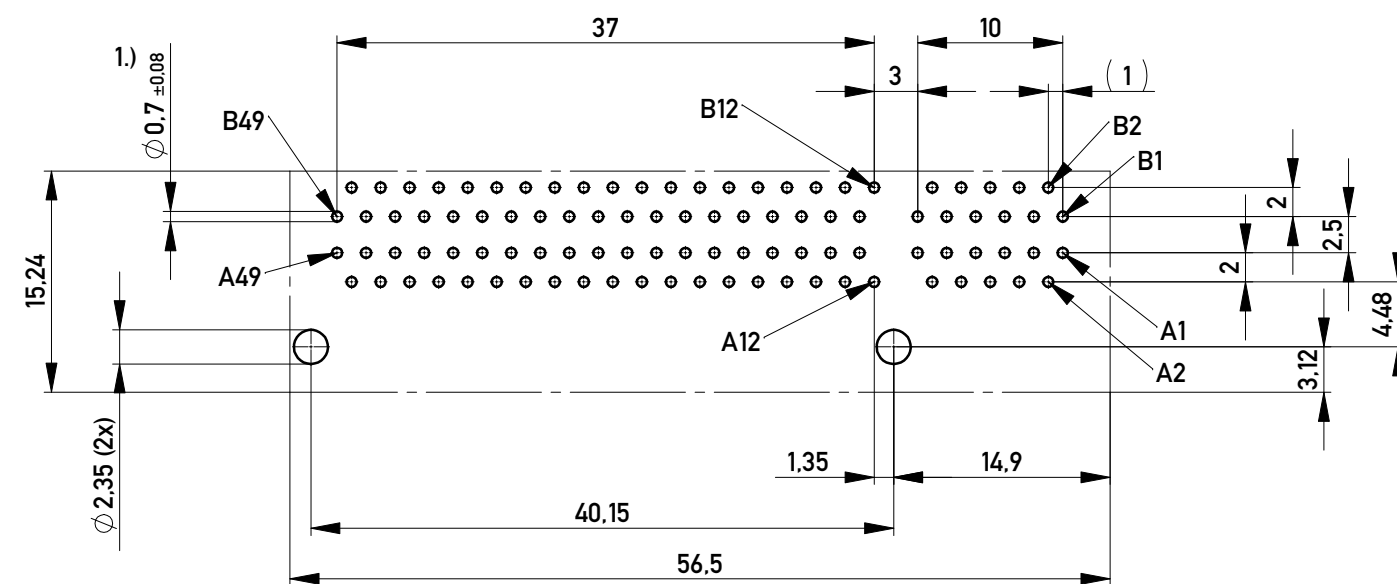
1.) Fertigllochdurchmesser  
finished viadiameter (PTH)

Package: Tray ( 20 pcs. )

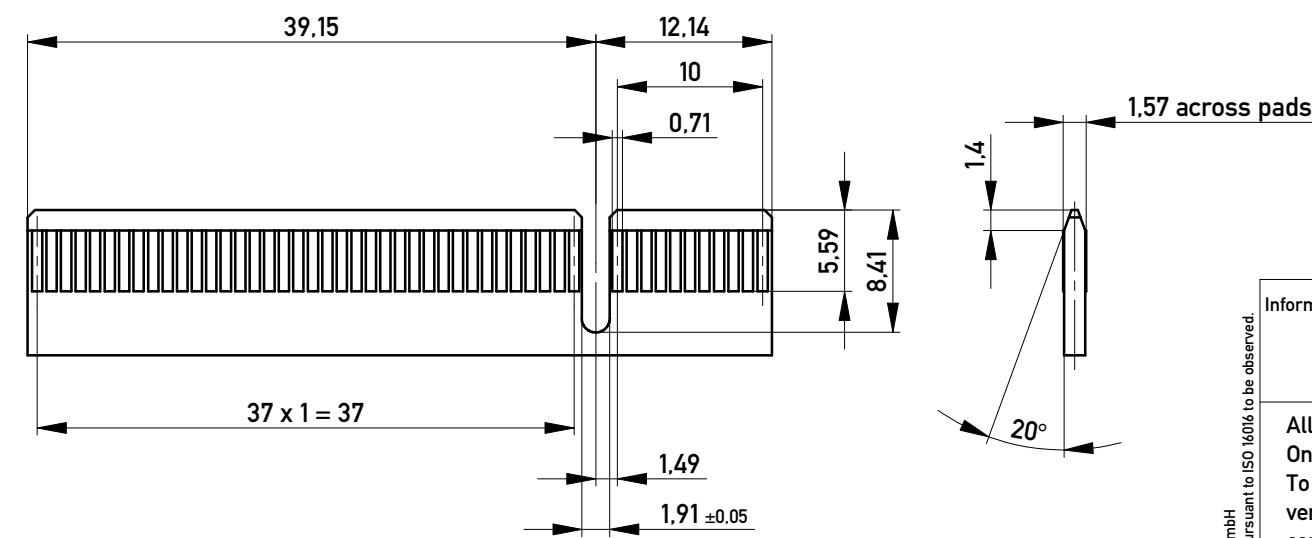


M 1:1

Lochbild für Leiterplatte ( Bestückungsseite )  
Board hole pattern ( component mounting side )



daughter card layout



Layout proposal is in accordance with the PCI Express specification

Information: All rights reserved. Only for Information. To ensure that this is the latest version of this drawing, please contact one of the ERNI companies before using.	Tolerances All Dimensions in mm	Scale	5:1	
		Designation	Abgew. PCI Express STV 98pol. RT. Angle PCI Express 98 pins	
Copyright by ERNI GmbH Proprietary notice pursuant to ISO 16041 to be observed.	Subject to modification without prior notice. Drawing will not be updated.	www.ERNI.com		100101500001
		Index	04.11.2011 Date	Class PCIEXP