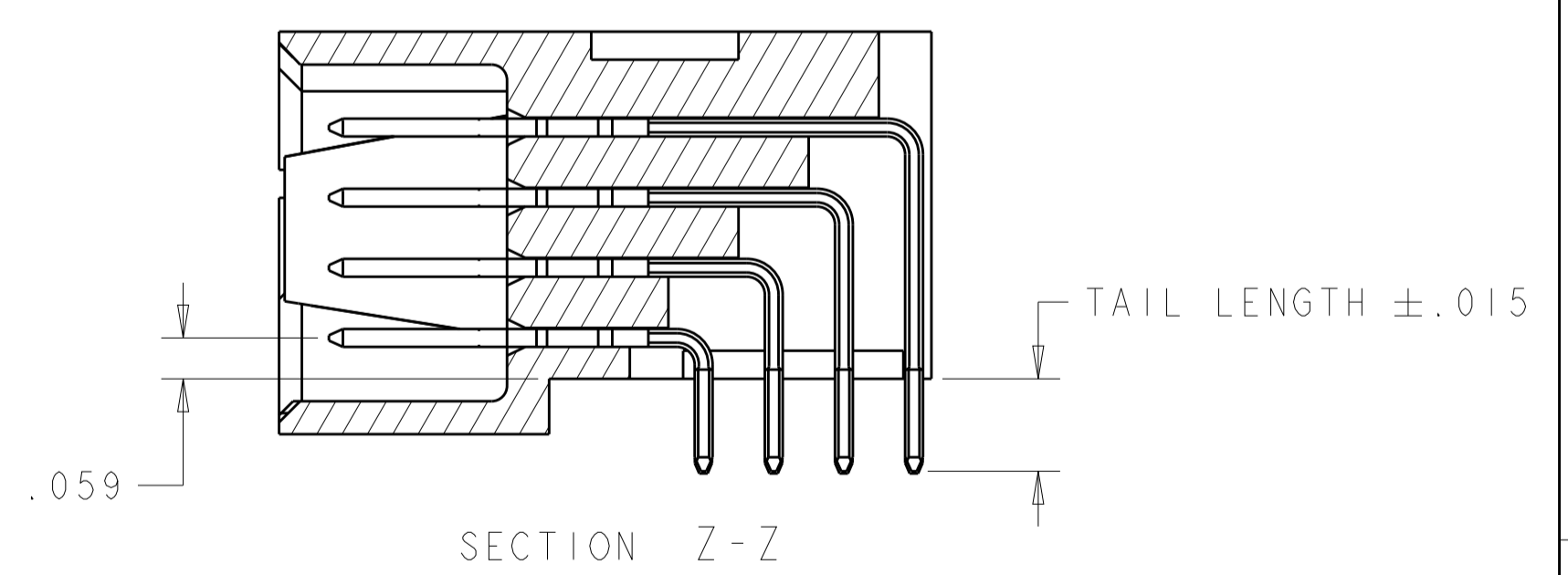
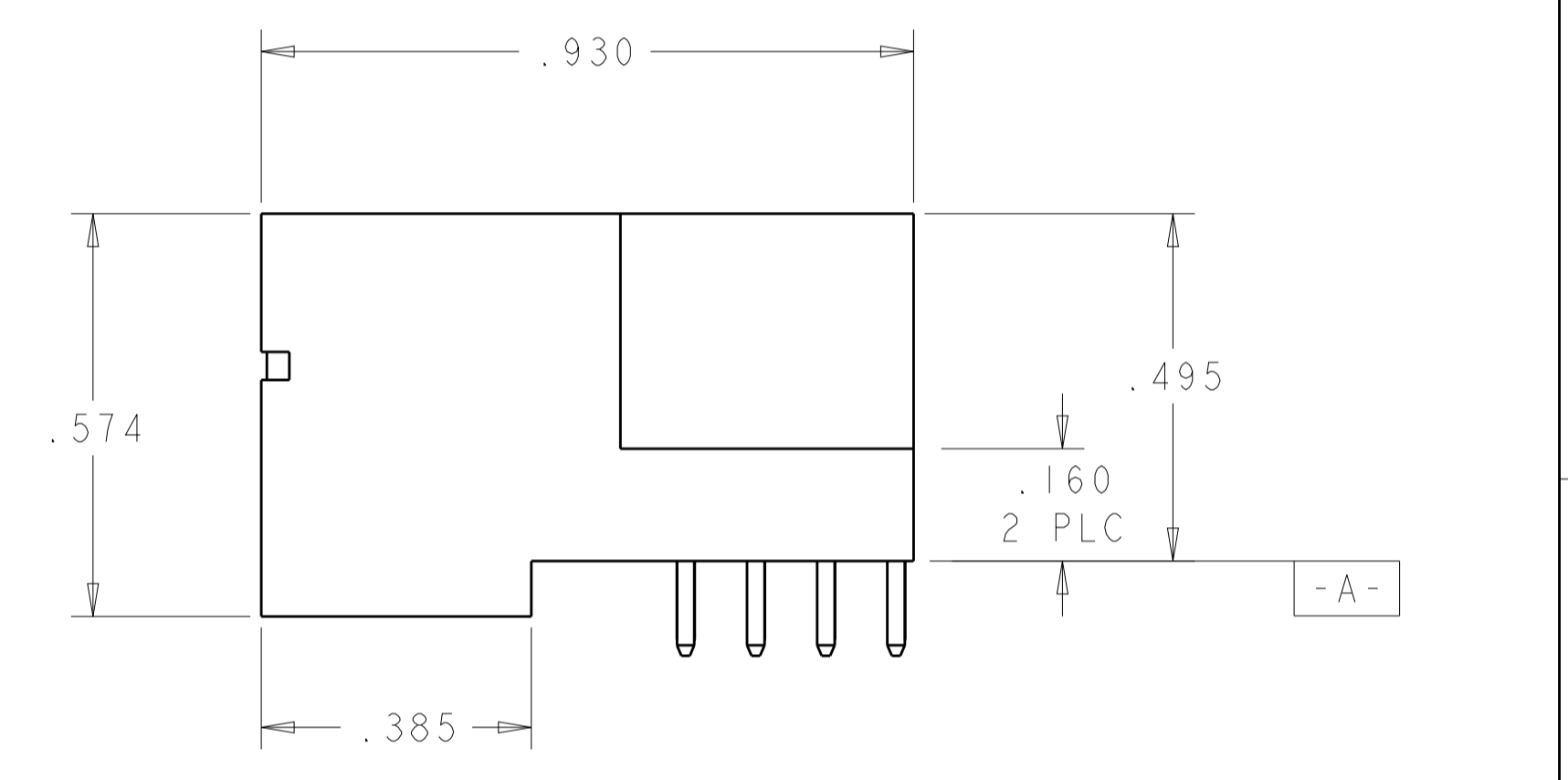
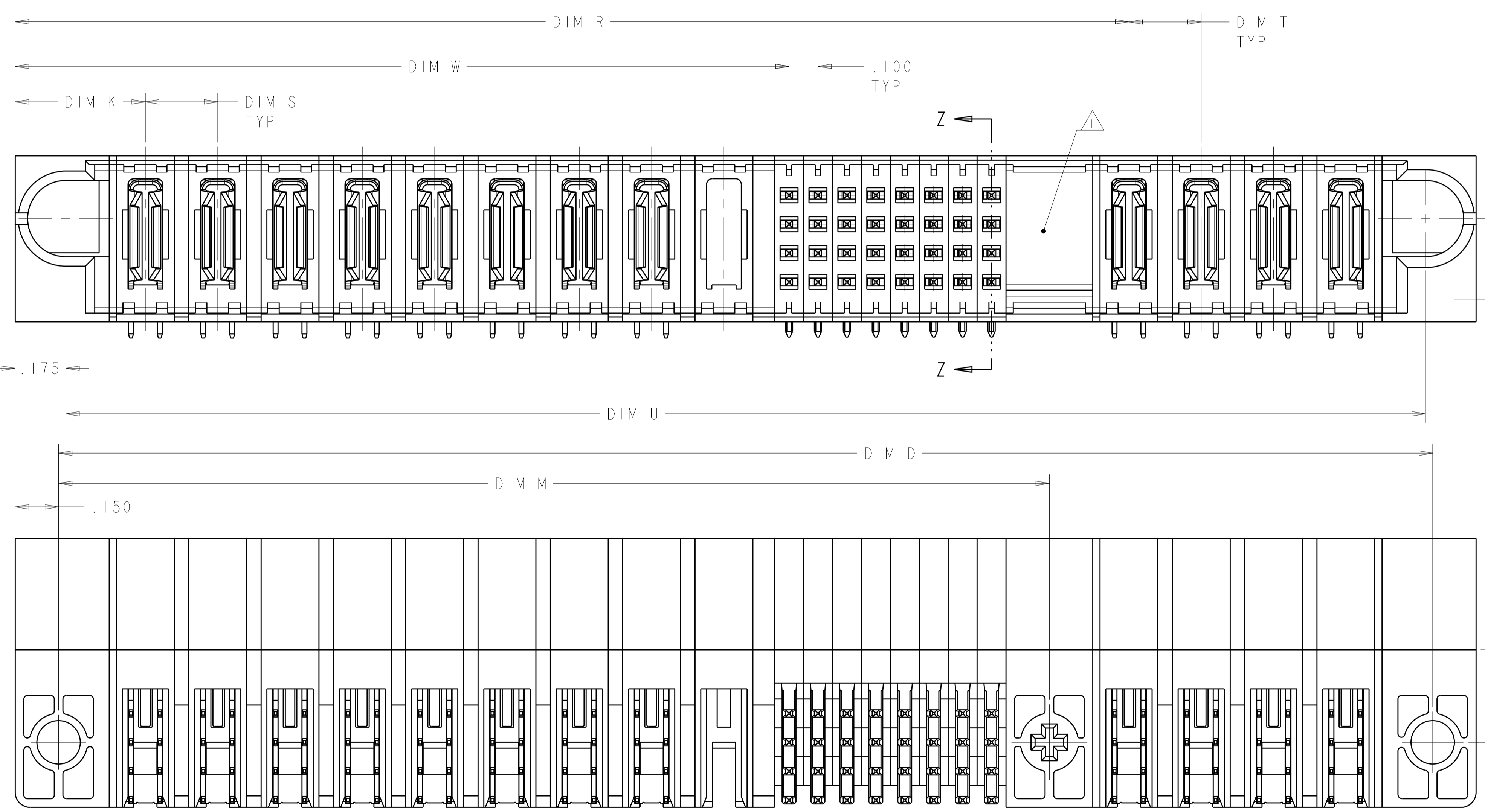
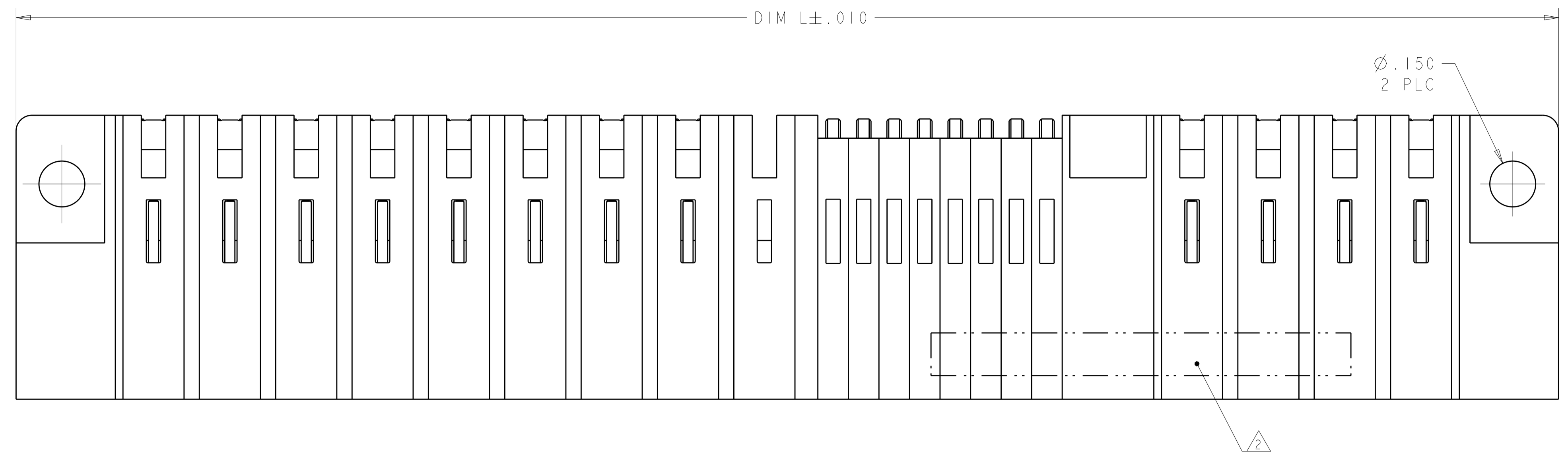


REVISIONS				
P.	LTN.	DESCRIPTION	DATE	DMN. APVD.
E6		REVISED FOR 1-2	16MAY2014	CZ SZ
E7		ADD NEW DASH NUMBER 1-4	02JAN2015	CZ SZ

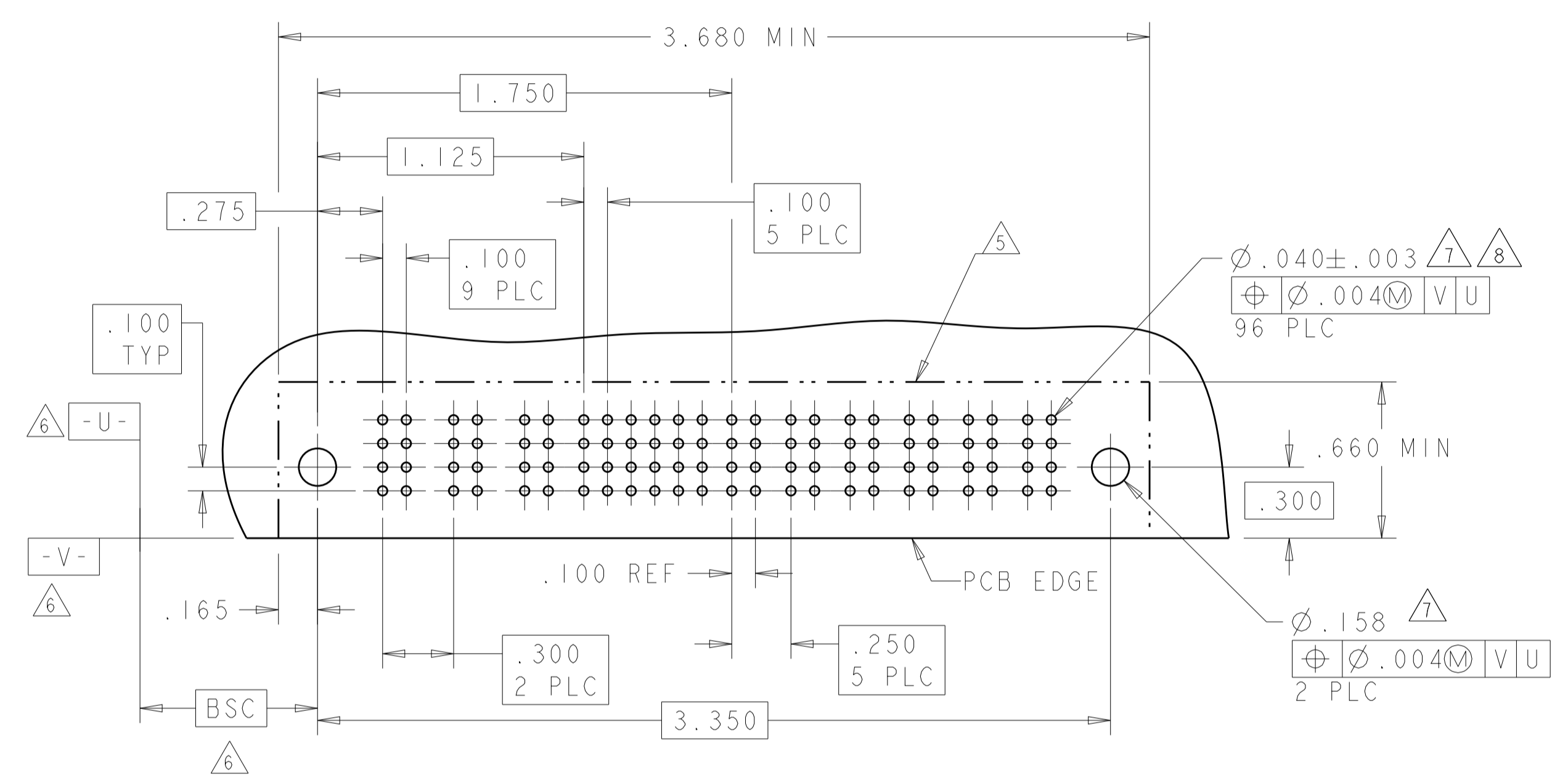
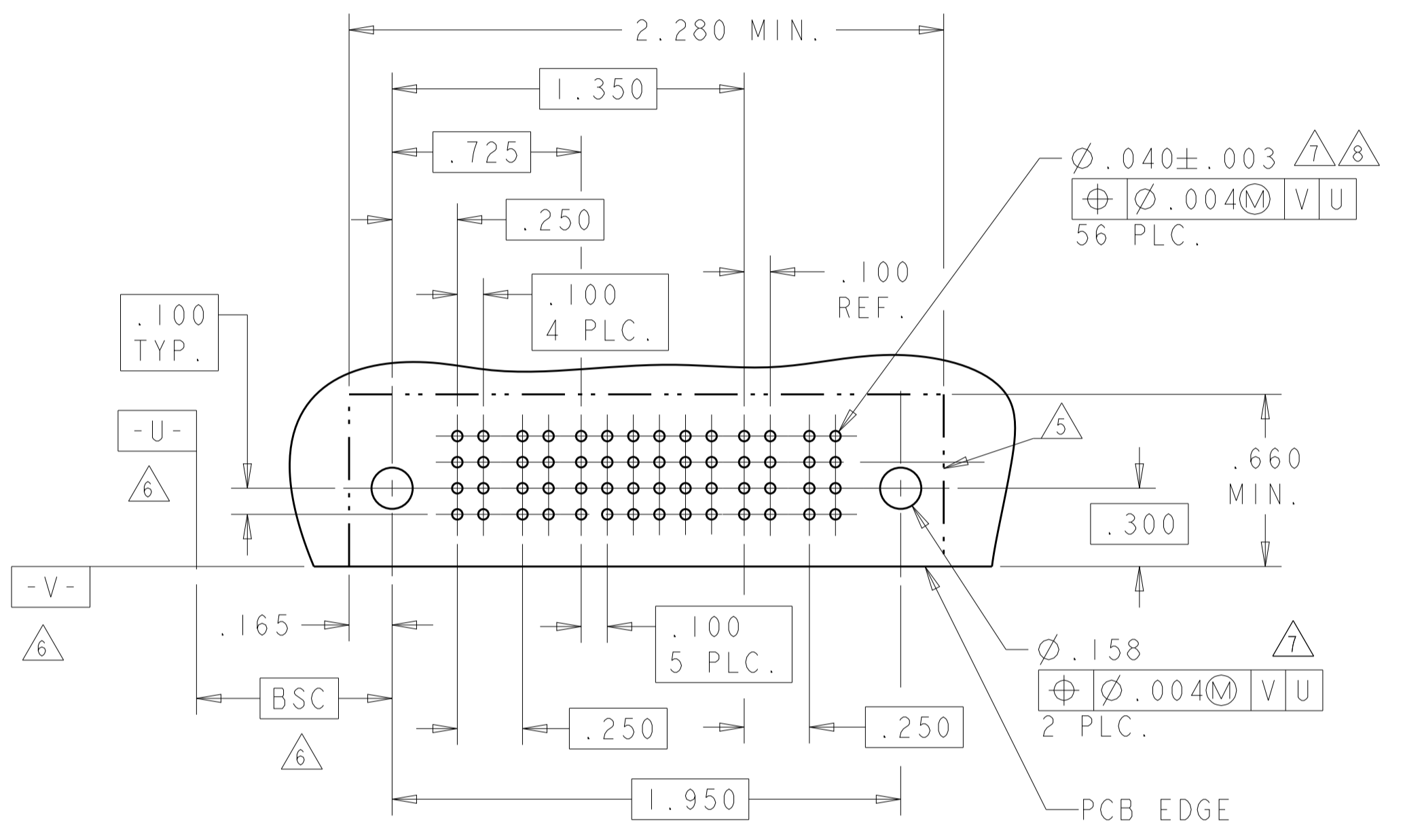


THIS DRAWING IS A CONTROLLED DOCUMENT.		DMN: R. GRZYBOWSKI 13JUN05 CHK: M. PERCHERKE 13JUN05	TE Connectivity RIGHT ANGLE HEADER W/GUIDES ASSEMBLY MULTI-BEAM XL (DUAL-BEAM POWER)	
DIMENSIONS: INCHES		APVD: M. PERCHERKE		
TOLERANCES UNLESS OTHERWISE SPECIFIED: 0 PLC ±. 1 PLC ±.01 2 PLC ±.005 3 PLC ±.002 4 PLC ±.002 ANGLES ±.7° FINISH:		MATERIAL: FINISH:	SIZE: A1 CAGE CODE: C=6600132 CUSTOMER DRAWING	RESTRICTED TO: SCALE: 4:1 SHEET: 1 of 7 REV: E7

REVISIONS				
P.	LTN.	DESCRIPTION	DATE	APVD.
-	-	SEE SHEET 1	-	-

PART NUMBER	ROWS	POWER		SIGNAL						POWER			
		P1	P2	1	2	3	4	5	6	P3	P4		
6600132-1	D C B A	PS	PS	J	J	J	J	J	J	PS	PS		
				K	K	K	K	K	K				
				N	N	N	G	N	N				
				S	S	S	S	S	S				
2P + 24S + 2P													

PART NUMBER	ROWS	POWER			SIGNAL						POWER						
		P1	P2	P3	1	2	3	4	5	6	P4	P5	P6	P7	P8	P9	
6600132-2	D C B A	PS	PS	PS	J	J	J	J	J	J	PS	PS	PS	PS	PS	PS	PS
					K	K	K	K	K	K							
					N	N	N	N	N	N							
					H	S	S	S	S	S							
3ACP + 24S + 6P																	



FK	MFBL	.135	C
A4	MLBF	.090	D
A3	MLBF	.090	C
A2	MLBF	.090	B
A1	MLBF	.090	A
E	MLBF	.135	D
F	MLBF	.135	C
G	MLBF	.135	B
H	MLBF	.135	A
Z	STD	.090	D
Y	STD	.090	C
R	STD	.090	B
O	STD	.090	A
J	STD	.135	D
K	STD	.135	C
N	STD	.135	B
S	STD	.135	A
CODE	MATING SEQUENCE	TAIL LENGTH	ROW
SIGNAL CONTACT			

PL	.090
PS	.135
CODE	TAIL LENGTH
POWER CONTACT	

2.900	.250	.250	2.050	1.375	2.950	-	3.250	.450	4P + 24S + 4P	1-6600132-4
2.200	.250	.250	1.350	.875	2.250	-	2.550	.450	2P + 16S + 4P	1-6600132-2
1.900	.250	.250	1.550	.875	1.950	-	2.250	.450	2P + 24S + 2P	1-6600132-1
1.200	-	-	1.100	.625	1.250	-	1.550	.450	1P + 16S + 1P	1-6600132-0
2.200	.200	.200	1.725	1.025	2.250	-	2.550	.425	3P + 24S + 3P	6600132-9
3.550	.200	△	2.225	1.925	3.600	-	3.900	.500	7P + 8S + 7P	6600132-7
2.500	.250	.250	2.150	1.425	2.550	-	2.850	.450	4P + 24S + 2P	6600132-6
4.500	.250	.250	2.900	2.125	4.550	-	4.850	.450	7P + 28S + 7P	6600132-5
1.575	-	-	1.425	.700	1.625	-	1.925	.475	1P + 24S + 1P	6600132-4
1.575	.250	.250	1.425	.700	1.625	-	1.925	.475	1P + 24S + 1P	6600132-3
3.300	.300	.250	1.950	1.275	3.350	-	3.650	.475	3ACP + 24S + 6P	6600132-2
1.900	.250	.250	1.550	0.875	1.950	-	2.250	.450	2P + 24S + 2P	6600132-1
DIM U	S	T	R	W	D	M	L	K	DESCRIPTION	PART NUMBER

THIS DRAWING IS A CONTROLLED DOCUMENT. DWG: R. GRZYBOWSKI 13JUN05, CHK: M. PERCHERKE 13JUN05, APVD: M. PERCHERKE

DIMENSIONS: INCHES. TOLERANCES UNLESS OTHERWISE SPECIFIED: 0 PLC ±.01, 1 PLC ±.01, 2 PLC ±.01, 3 PLC ±.005, 4 PLC ±.002, ANGLES ±.020.

MATERIAL: FINISH: CUSTOMER DRAWING

SCALE: 4:1 SHEET 2 OF 7 REV: E7

STE TE Connectivity

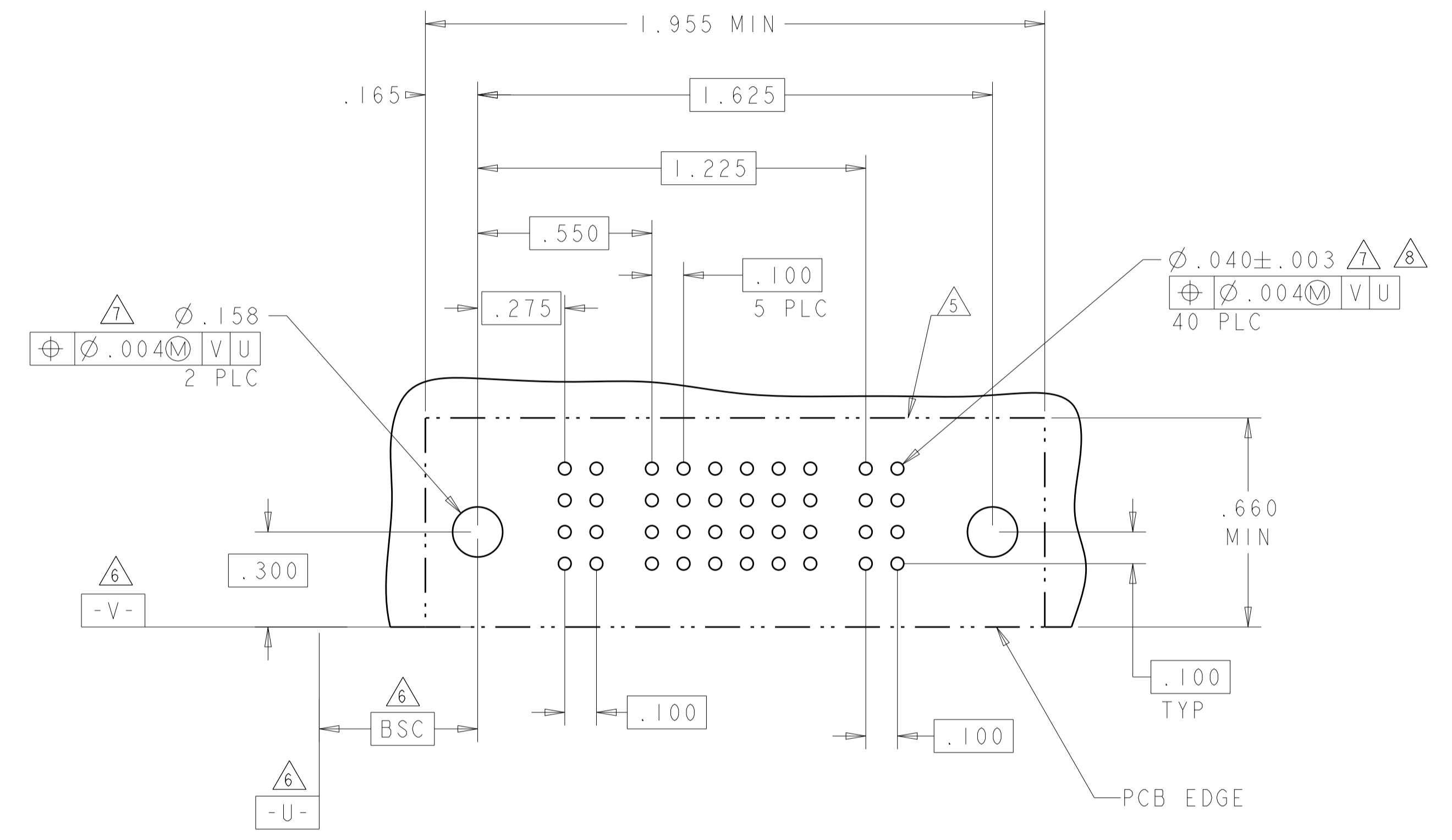
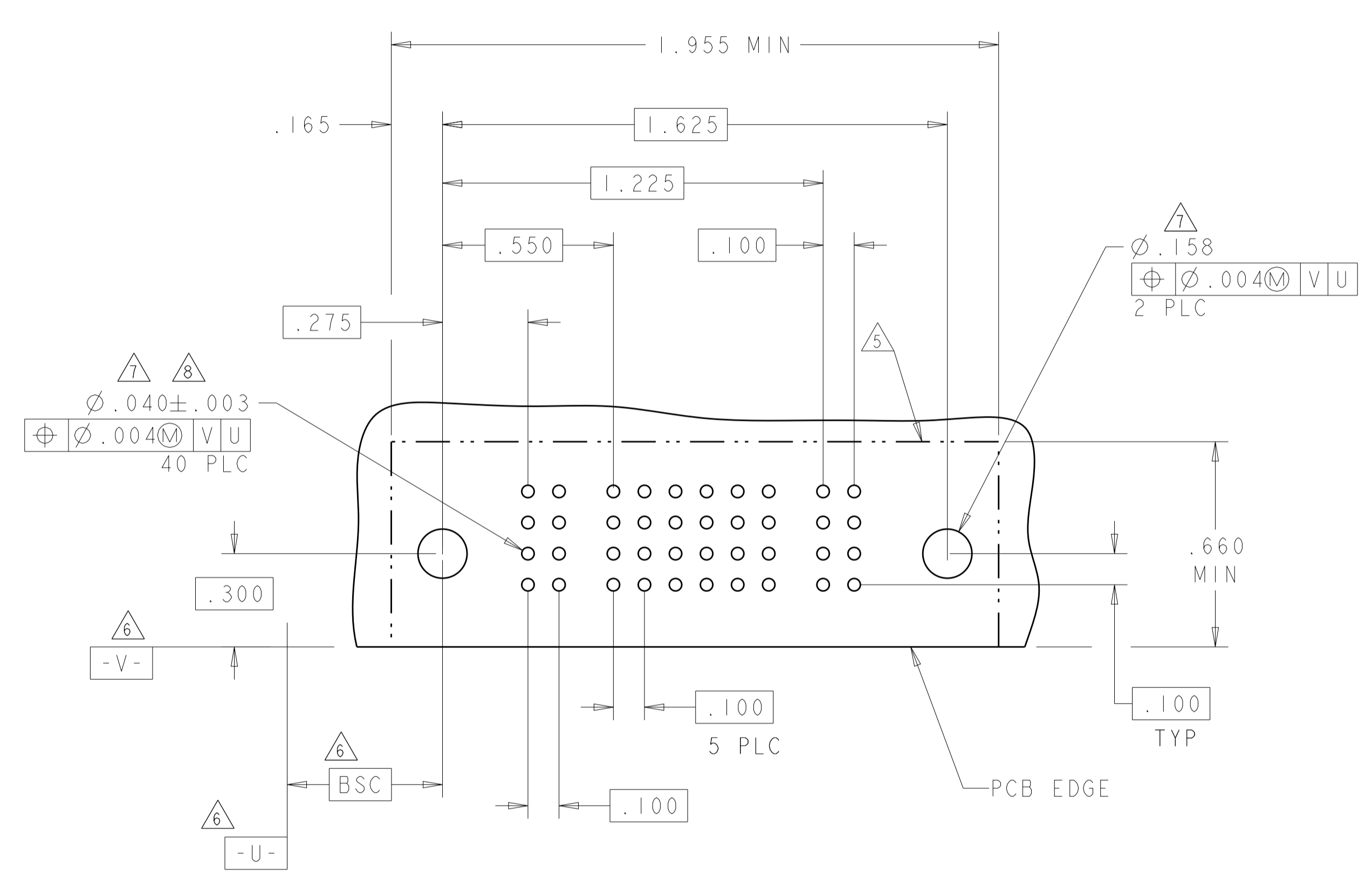
NAME: RIGHT ANGLE HEADER W/GUIDES ASSEMBLY (MULTI-BEAM XL (DUAL-BEAM POWER))

SIZE: A1 CAGE CODE: 6600132

REVISIONS				
P.	LTN.	DESCRIPTION	DATE	APVD.
-	-	SEE SHEET 1	-	-

PART NUMBER	ROWS	POWER		SIGNAL						POWER			
		P1	P2	1	2	3	4	5	6	P1	P2		
6600132-3	D C B A	PS	PS	J	J	J	J	J	J	J	J	PS	PS
				K	K	K	K	K	K	K	K		
				N	N	G	G	N	G	N	N		
				S	S	H	S	S	S	S	S		
IP + 24S + IP													

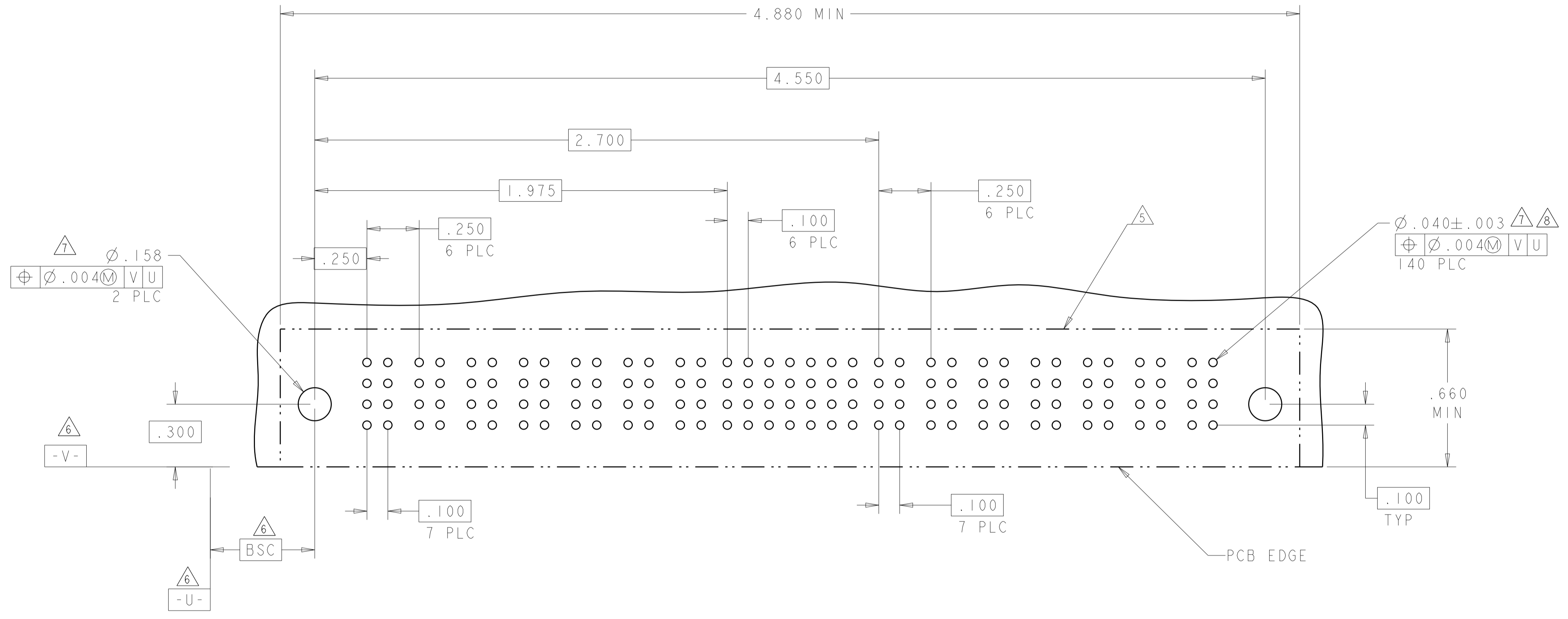
PART NUMBER	ROWS	POWER		SIGNAL						POWER			
		P1	P2	1	2	3	4	5	6	P1	P2		
6600132-4	D C B A	PS	PS	J	J	J	J	J	J	J	J	PS	PS
				K	K	K	K	K	K	K	K		
				N	N	N	G	N	N	N	N		
				S	S	S	S	S	S	S	S		
IP + 24S + IP													



THIS DRAWING IS A CONTROLLED DOCUMENT.		DWN: R. GRZYBOWSKI 13JUN05 CHK: M. PERCHERKE 13JUN05 APVD: M. PERCHERKE PRODUCT SPEC: 108-1973 APPLICATION SPEC: 114-13038 WEIGHT: - CUSTOMER DRAWING	NAME: RIGHT ANGLE HEADER W/GUIDES ASSEMBLY MULTI-BEAM XL (DUAL-BEAM POWER) SIZE: A1 CAGE CODE: - DRAWING NO: 6600132 SCALE: 4:1 SHEET: 3 OF 7 REV: E7	TE Connectivity
DIMENSIONS: INCHES 	TOLERANCES UNLESS OTHERWISE SPECIFIED: 0 PLC ±. 1 PLC ±.01 2 PLC ±.01 3 PLC ±.005 4 PLC ±.0020 ANGLES: *2° FINISH: -	RESTRICTED TO: -	MATERIAL: -	WEIGHT: -

REVISIONS				
P.	LTN.	DESCRIPTION	DATE	APVD.
-	-	SEE SHEET 1	-	-

PART NUMBER	ROWS	POWER						SIGNAL							POWER						
		P1	P2	P3	P4	P5	P6	P7	1	2	3	4	5	6	7	P8	P9	P10	P11	P12	P13
6600132-5	D C B A	PS	PS	PS	PS	PS	PS	J	J	J	J	J	J	J	PS	PS	PS	PS	PS	PS	PS
		PS	PS	PS	PS	PS	PS	K	K	K	F	K	K	K	PS	PS	PS	PS	PS	PS	PS
		PS	PS	PS	PS	PS	PS	N	N	N	G	N	N	N	PS	PS	PS	PS	PS	PS	PS
7P + 28S + 7P																					

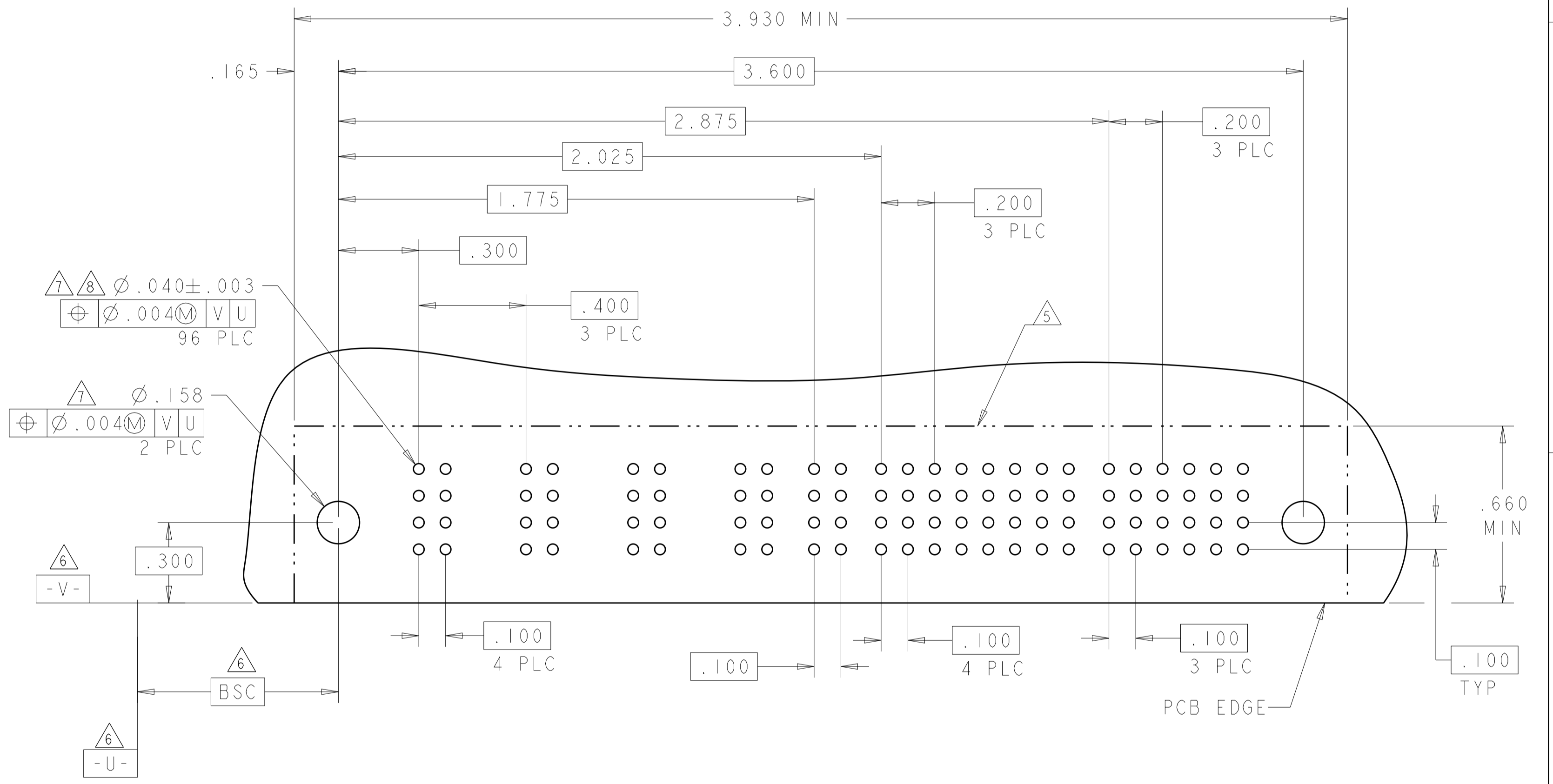
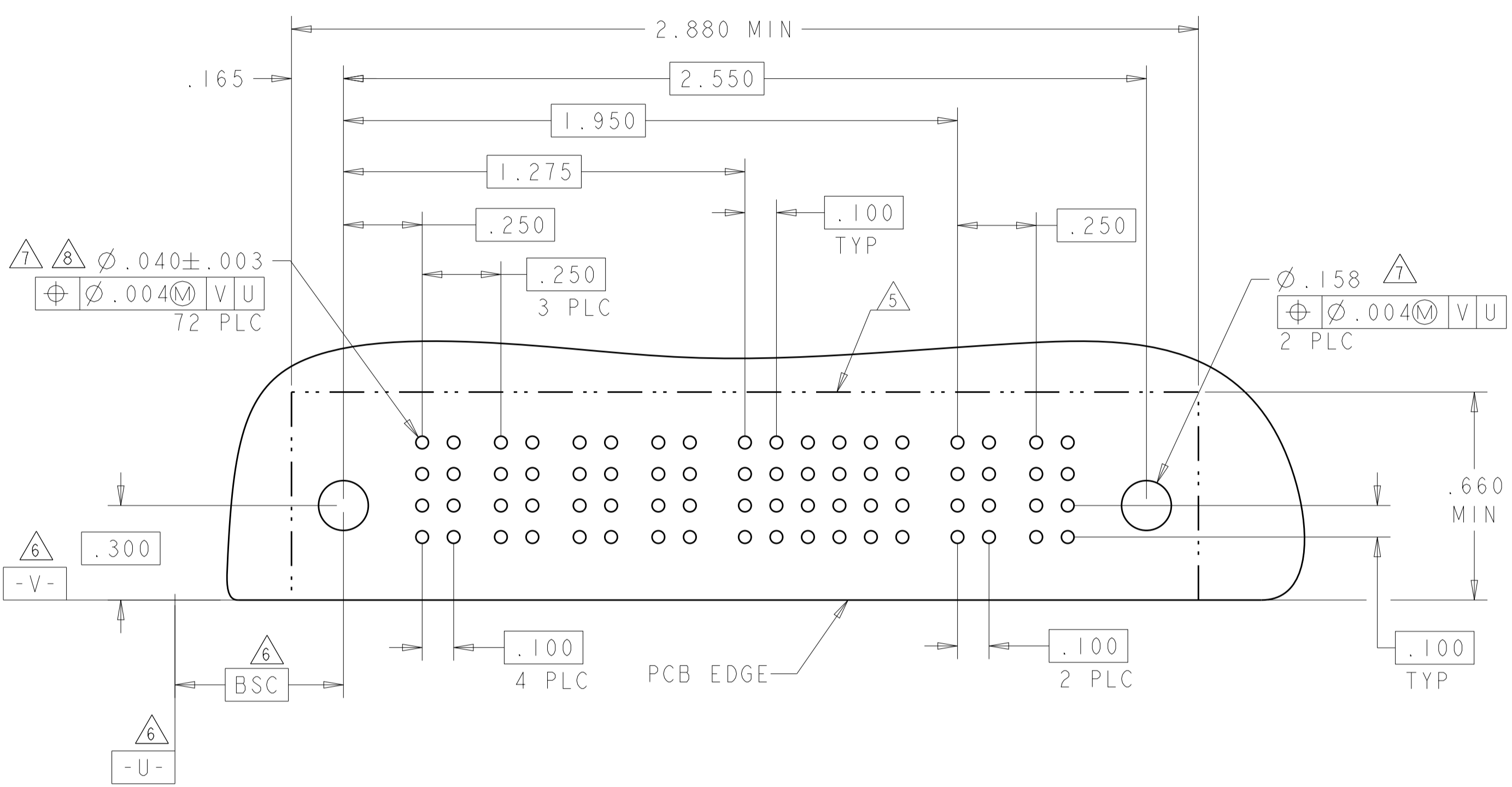


THIS DRAWING IS A CONTROLLED DOCUMENT.		DWN R. GRZYBOWSKI 13JUN05	 TE Connectivity
DIMENSIONS: INCHES		CHK M. PERCHERKE 13JUN05	
TOLERANCES UNLESS OTHERWISE SPECIFIED: 0 PLC ±. 1 PLC ±.01 2 PLC ±.01 3 PLC ±.005 4 PLC ±.0020 ANGLES ±.2°		APVD M. PERCHERKE	NAME RIGHT ANGLE HEADER W/GUIDES ASSEMBLY MULTI-BEAM XL (DUAL-BEAM POWER)
MATERIAL		PRODUCT SPEC 108-1973	SIZE A1
FINISH		APPLICATION SPEC 114-13038	CAGE CODE C=6600132
CUSTOMER DRAWING		RESTRICTED TO	SCALE 4:1
4805 (3/13)		WEIGHT	SHEET 4 OF 7
		REVISIONS	REV E7

REVISIONS				
P.	LTN.	DESCRIPTION	DATE	APP'D.
-	-	SEE SHEET 1	-	-

PART NUMBER	ROWS	POWER				SIGNAL						POWER	
		P1	P2	P3	P4	1	2	3	4	5	6	P5	P6
6600132-6	D C B A	PS	PS	PS	PS	J	J	J	J	J	J	PS	PS
						K	K	K	K	K	K		
						N	N	N	N	N	N		
						S	S	S	S	S	S		
4P + 24S + 2P													

PART NUMBER	ROWS	POWER							SIGNAL		POWER						
		P1	P2	P3	P4	P5	P6	P7	1	2	P8	P9	P10	P11	P12	P13	P14
6600132-7	D C B A	PS	PS	PS	PS	PS	PS	J	J	PS	PS	PS	PS	PS	PS		
								K	K								
								N	N								
								H	S								
7P + 8S + 7P																	



NO CONTACTS LOADED

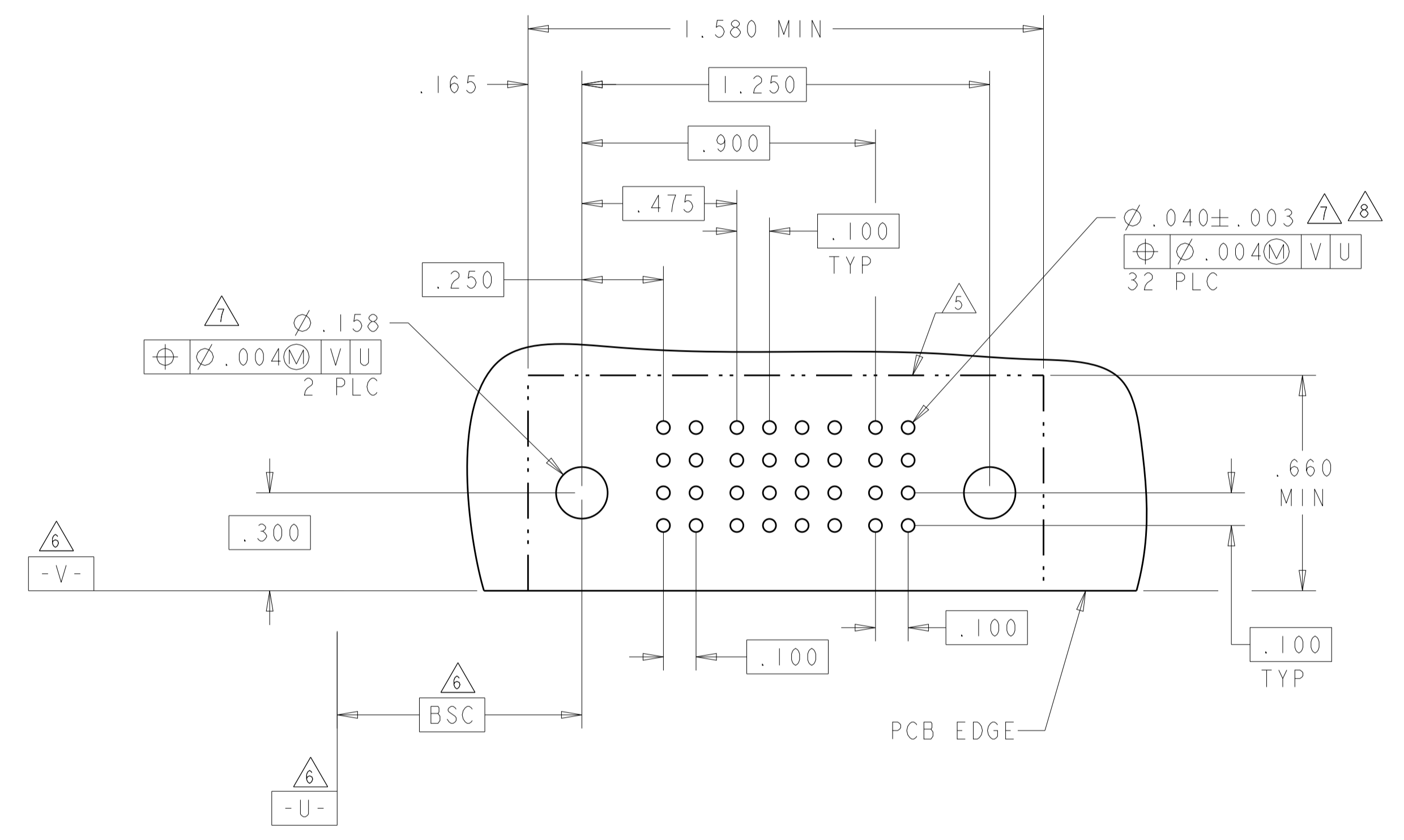
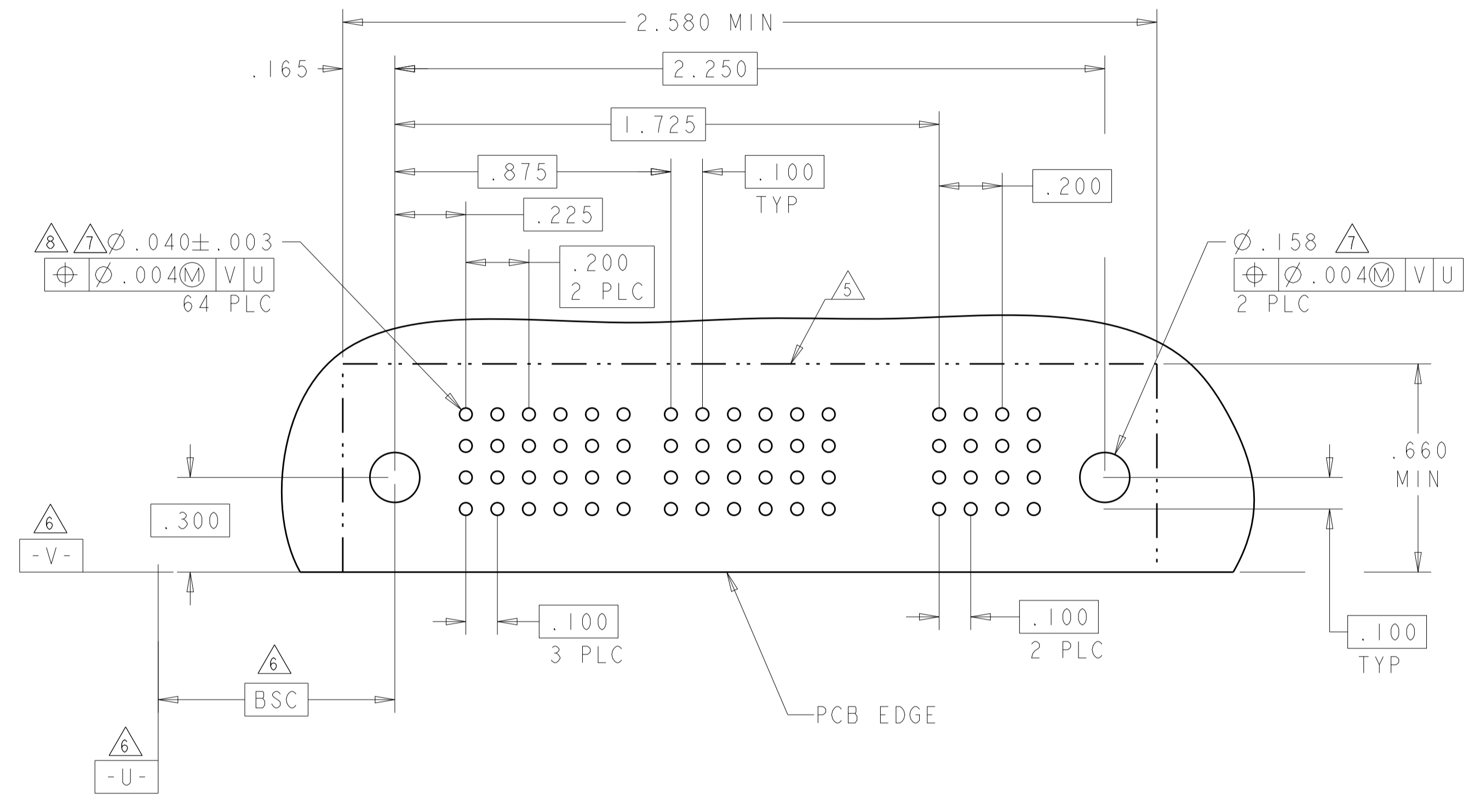
THIS DRAWING IS A CONTROLLED DOCUMENT.		DWN: R. GRZYBOWSKI 13JUN05 CHK: M. PERCHERKE 13JUN05 APP'D: M. PERCHERKE PRODUCT SPEC: 108-1973 APPLICATION SPEC: 114-13038 WEIGHT: - CUSTOMER DRAWING	NAME: RIGHT ANGLE HEADER W/GUIDES ASSEMBLY MULTI-BEAM XL (DUAL-BEAM POWER) SIZE: A1 CAGE CODE: - DRAWING NO: 6600132 SCALE: 4:1 SHEET: 5 OF 7 REV: E7
DIMENSIONS: INCHES TOLERANCES UNLESS OTHERWISE SPECIFIED: 0 PLC ±. 1 PLC ±.01 2 PLC ±.01 3 PLC ±.005 4 PLC ±.0020 ANGLES ±.2°	MATERIAL: - FINISH: -	RESTRICTED TO: -	

REVISIONS				
P	LTN	DESCRIPTION	DATE	APVD
-	-	SEE SHEET 1	-	-

PART NUMBER	ROWS	POWER			SIGNAL						POWER		
		P1	P2	P3	1	2	3	4	5	6	P4	P5	P6
6600132-9	D	PS	PS	PS	J	J	J	J	J	J	PS	PS	PS
	C				K	K	K	K	K	K			
	B				N	N	N	N	N	N			
	A				H	S	S	S	S	H			
3P + 24S + 3P													

NO CONTACT LOADED

PART NUMBER	ROWS	POWER		SIGNAL				POWER		
		P1	P2	1	2	3	4	P2	P1	
1-6600132-0	D	PS	PS	J	J	J	J	PS	PS	PS
	C			K	K	F	K			
	B			N	N	G	N			
	A			S	S	S	S			
1P + 16S + 1P										



PART NUMBER	ROWS	POWER		SIGNAL						POWER		
		P1	P2	1	2	3	4	5	6	P3	P4	
1-6600132-1	D	PS	PS	J	J	J	J	J	J	PS	PS	PS
	C			K	K	K	K	K	K			
	B			N	N	N	N	N	N			
	A			S	S	S	S	S	S			
2P + 24S + 2P												

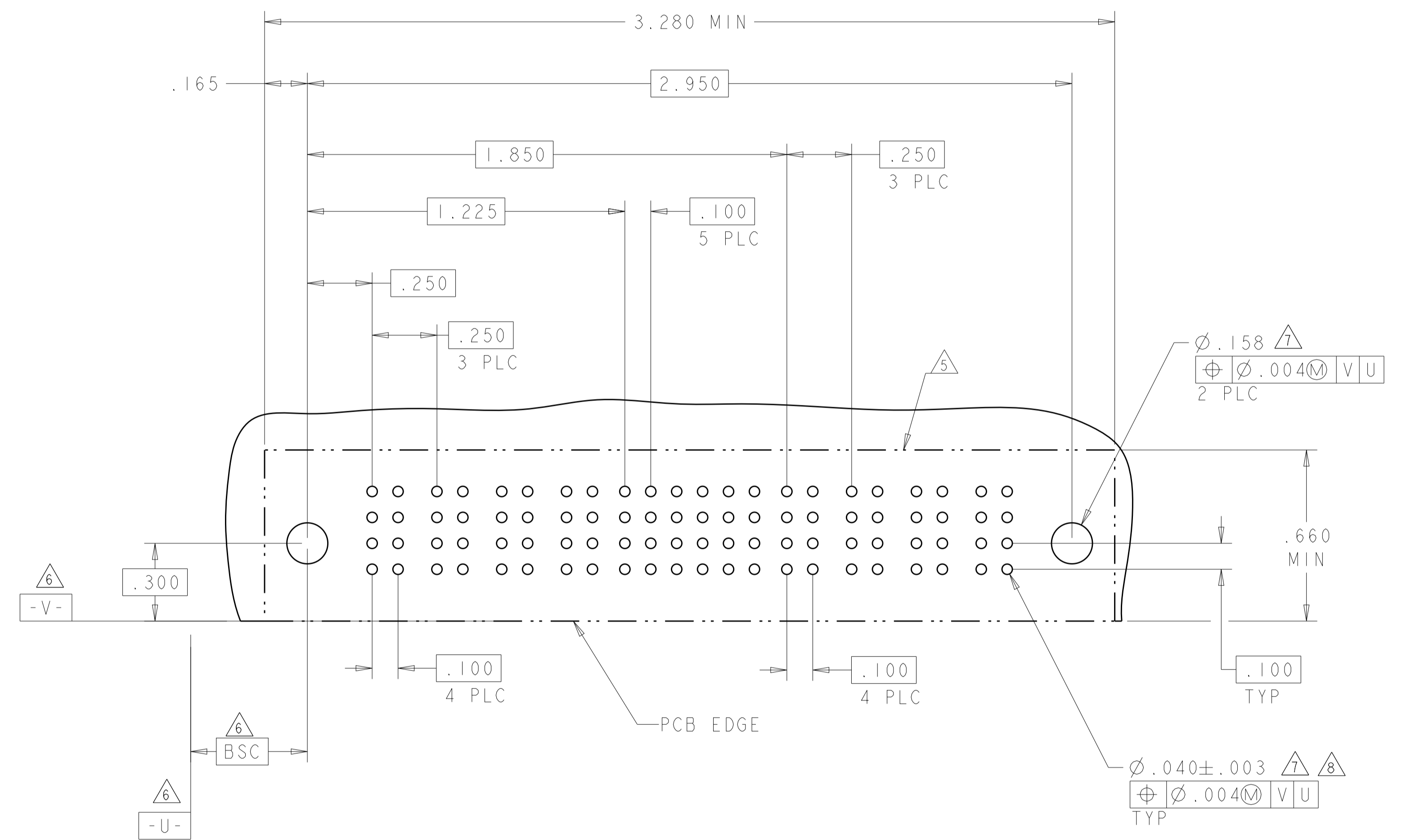
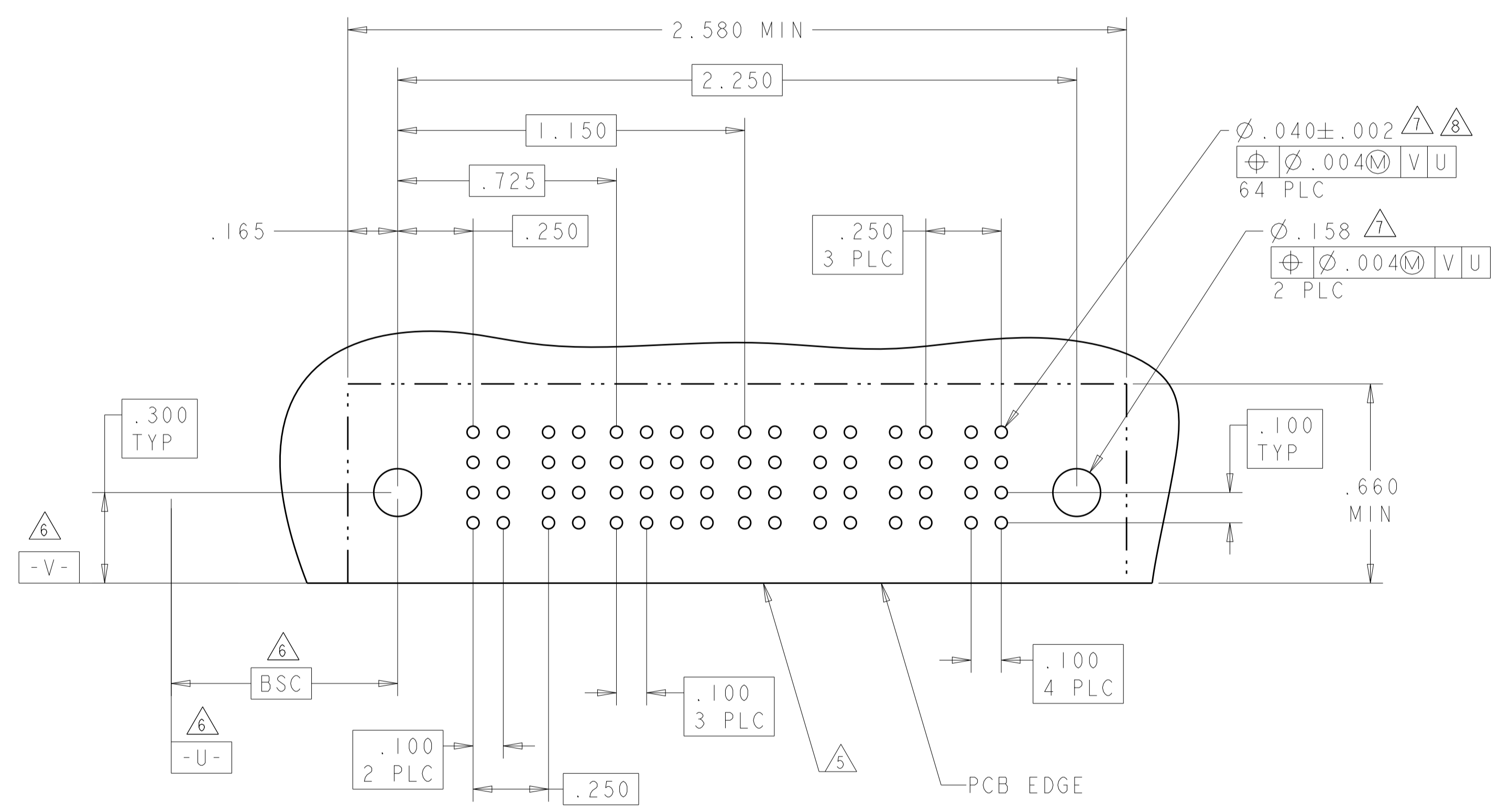
PCB LAYOUT OF 1-6600132-1 IS THE SAME AS 6600132-1.

THIS DRAWING IS A CONTROLLED DOCUMENT.		DWN R. GRZYBOWSKI 13JUN05 CHK M. PERCHERKE 13JUN05	TE Connectivity
DIMENSIONS: INCHES	TOLERANCES UNLESS OTHERWISE SPECIFIED: 0 PLC ±. 1 PLC ±.01 2 PLC ±.01 3 PLC ±.005 4 PLC ±.0020 ANGLES ±.2°	APVD M. PERCHERKE PRODUCT SPEC 108-1973 APPLICATION SPEC 114-13038 WEIGHT CUSTOMER DRAWING	
MATERIAL FINISH		SIZE A1 CAGE CODE DRAWING NO. C=6600132 SCALE 4:1 SHEET 6 OF 7 REV E7	RESTRICTED TO

REVISIONS				
P.	LTN.	DESCRIPTION	DATE	APVD.
-	-	SEE SHEET 1	-	-

PART NUMBER	ROWS	POWER		SIGNAL				POWER			
		P1	P2	1	2	3	4	P3	P4	P5	P6
1-6600132-2	D C B A	PS	PS	J	J	J	J	PS	PS	PS	PS
				K	K	K	K				
				G	G	G	G				
				S	S	S	S				
2P + 16S + 4P											

PART NUMBER	ROWS	POWER				SIGNAL						POWER			
		P1	P2	P3	P4	1	2	3	4	5	6	P5	P6	P7	P8
1-6600132-4	D C B A	PS	PS	PS	PS	J	J	J	J	J	J	PS	PS	PS	PS
						K	K	K	K	K	K				
						N	N	N	N	N	N				
						S	S	S	S	S	H				
4P + 24S + 4P															



THIS DRAWING IS A CONTROLLED DOCUMENT.		DWN: R. GRZYBOWSKI 13JUN05 CHK: M. PERCHERKE 13JUN05 APVD: M. PERCHERKE	TE Connectivity
DIMENSIONS: INCHES	TOLERANCES UNLESS OTHERWISE SPECIFIED: 0 PLC ±. 1 PLC ±.01 2 PLC ±.01 3 PLC ±.005 4 PLC ±.0020 ANGLES ±.2°	NAME: RIGHT ANGLE HEADER W/GUIDES ASSEMBLY PRODUCT SPEC: 108-1973 APPLICATION SPEC: 114-13038 WEIGHT: - CUSTOMER DRAWING	