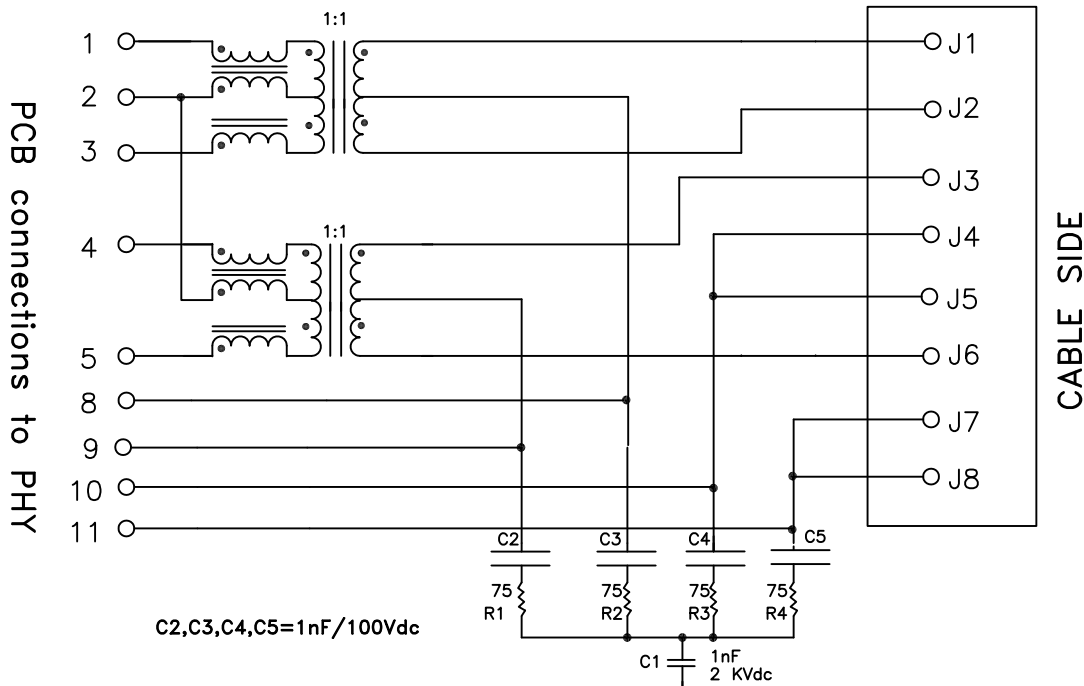


### Schematic:



### Electrical Specifications: @25°C

Isolation Voltage: 2000 Vdc (Input to Output)

Turns Ratio: TX 1CT:1CT ±2% RX 1CT:1CT ±2%

OCL: 350uH Minimum @100KHz 100mV 8mADC

Insertion Loss: 1MHz-100MHz 1.5dB Max

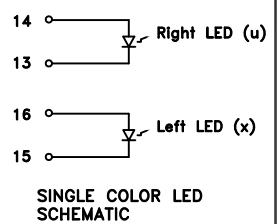
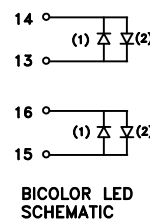
Return Loss: 1MHz-30MHz 16dB Min

60MHz-80MHz 10dB Min

Cross Talk: 1-100MHz 30 dB Min

Q :18 Min @100KHz 0.1V

SHIELD



#### Notes:

- Solderability: Leads shall meet MIL-STD-202G, Method 208H for solderability.
- Flammability: UL94V-0
- ASTM oxygen index: > 28%
- UL Recognized Component: File Number E165866
- All listed parameters are to be within tolerance from -40°C to +85°C unless otherwise noted
- Storage Temperature Range: -55°C to +125°C
- Aqueous wash compatible
- Electrical and mechanical specifications 100% tested
- RoHS Compliant Component

DOC. REV: A/2

Complete the Combo P/N as follows:

Replace 'x' & 'u' in the part number with one of the LED color letters:  
 Y=Yellow                      'x' = Left LED Color  
 G=Green                        'u' = Right LED Color  
 A=Amber  
 R=Red  
 C=Green(1)/Amber(2) Bicolor  
 D=Amber(1)/Green(2) Bicolor  
 M=Green(1)/Yellow(2) Bicolor  
 N=Yellow(1)/Green(2) Bicolor  
 P=Red(1)/Green(2) Bicolor  
 Q=Green(1)/Red(2) Bicolor  
 E=Red(1)/Yellow(2) Bicolor  
 F=Yellow(1)/Red(2) Bicolor  
 H=Amber(1)/Yellow(2) Bicolor  
 J=Green(1)/Green(2) Bicolor

Single Color LED:

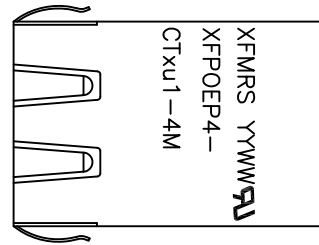
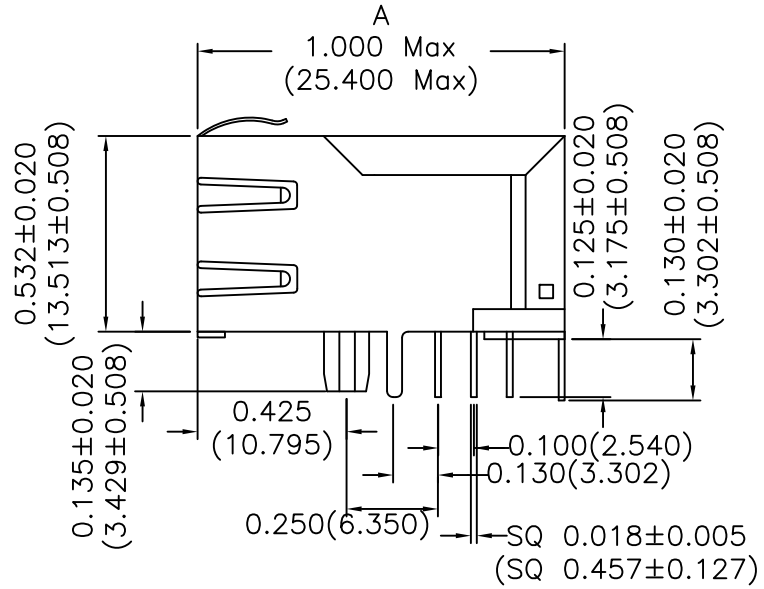
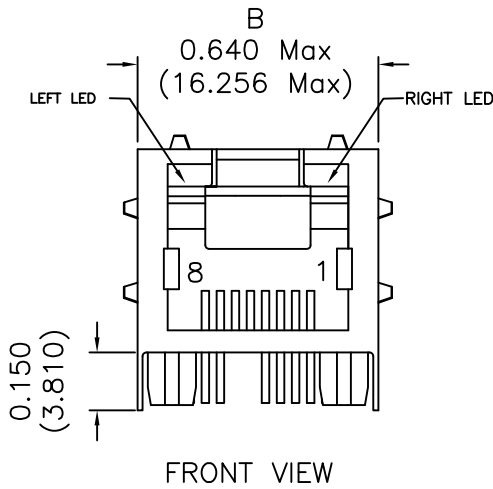
Bi-Color LED:

<b>XFMRs Inc</b> www.XFMRs.com	Title: SINGLE PORT POE+ COMBO		
	UNLESS OTHERWISE SPECIFIED	P/N: XFPOEP4-CTxu1-4M	REV. A
TOLERANCES: .xxx ±0.010/±0.250 Dimensions in Inch/mm	DWN.	Yuan	Jan-28-15
	CHK.	YK Liao	Jan-28-15
SHEET 1 OF 2	APP.	BW	Jan-28-15

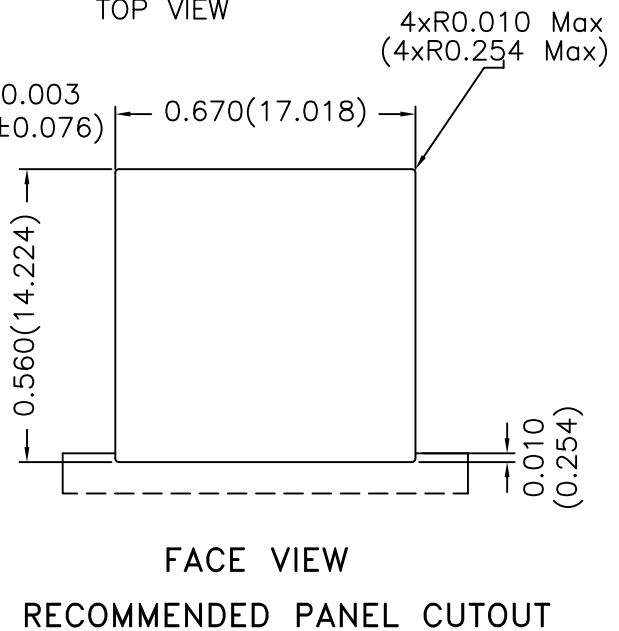
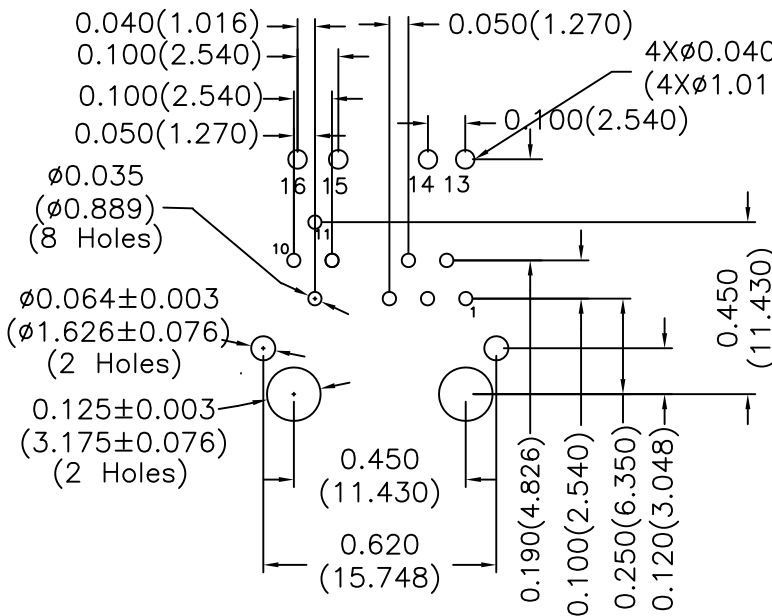
**PROPRIETARY:**

Document is the property of XFMRs Group & is not allowed to be duplicated without authorization.

# Mechanical Dimensions:



# Mounting Pattern:



DOC REV: A/2

**XFMRS Inc.**  
www.XFMRS.com

Title: Mechanical Dimensions  
For TAB UB RJ45 COMBO

UNLESS OTHERWISE SPECIFIED

P/N: XFPOEP4-CTxu1-4M

REV. A

TOLERANCES:  
.xxx ±0.010/±0.250

DWN.

Yuan

Jan-28-15

Dimensions in Inch/mm

CHK.

YK Liao

Jan-28-15

SHEET 2 OF 2

APP.

BW

Jan-28-15

**PROPRIETARY:**

Document is the property of XFMRS Group & is not allowed to be duplicated without authorization.