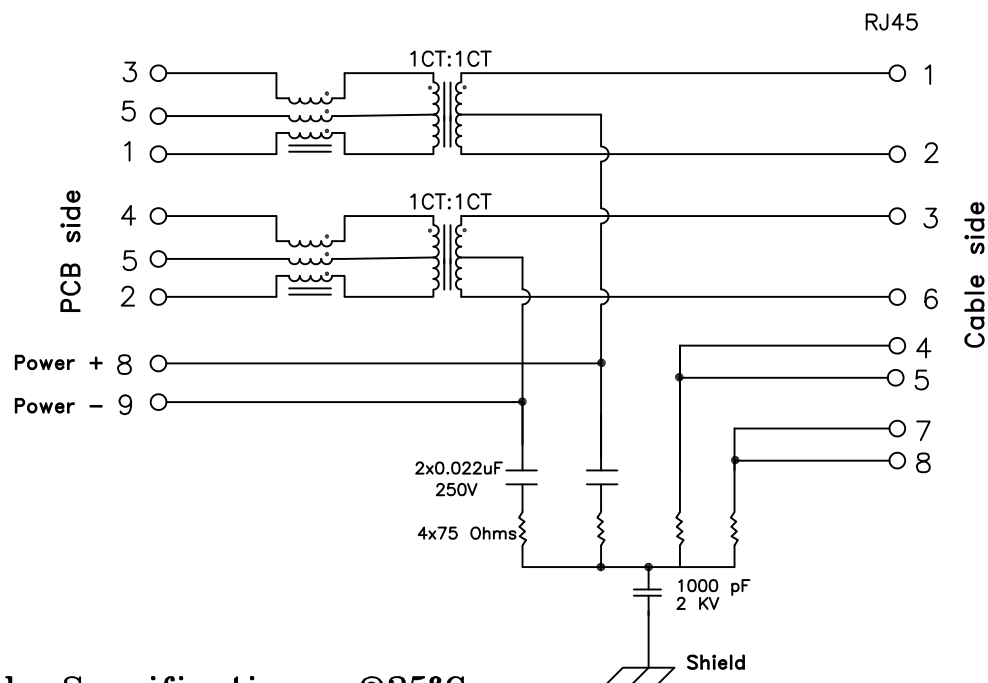


Schematic:



Electrical Specifications: @25°C

Isolation Voltage: 2250 Vdc (Input to Output)

Turns Ratio: TX 1CT:1CT ±3% RX 1CT:1CT ±3%

OCL: 350uH Min @100KHz 100mV, @8mA, 0°C–70°C Media side

Q: 5 Min @100KHz 100mV

Insertion Loss(TX/RX): -1.2 dB Max @300KHz

-1.5 dB Max @1–125MHz

Return Loss(100 Ohms): 1–30MHz 30–60MHz 60–80MHz
-16dB Min -14dB Min -12dB Min

Cross Talk: 1MHz 10–100MHz
-50dB Min -55+22*log(f/10) dB Min

Common Mode Rejection: 2MHz 30–200MHz
-50dB Min $-15+20*\log^{10}(f/200)$ dB Min

Balanced DC Line Current: 600mA Max @57Vdc continuous Pins 8,9
750mA Max @57Vdc for 200milliseconds Pins 8,9

Notes:

1. Solderability: Leads shall meet MIL-STD-202G, Method 208H for solderability.
2. Flammability: UL94V-0
3. ASTM oxygen index: > 28%
4. UL Recognized Component: File Number E165866
5. Operating Temperature Range: All listed parameters are to be within tolerance from -40°C to +85°C
6. Storage Temperature Range: -55°C to +125°C
7. Aqueous wash compatible
8. Electrical and mechanical specifications 100% tested
9. RoHS Compliant Component

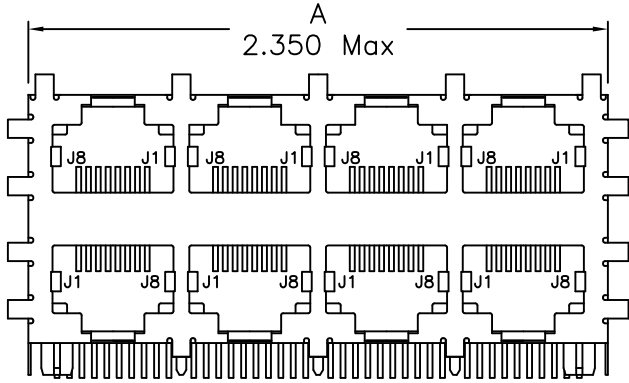
| | | | |
|---|--|---------|-----------|
| XFMRs Inc. www.XFMRS.com | Title: 2x4 Stacked Combo | | |
| | UNLESS OTHERWISE SPECIFIED P/N: XFPOEP3-STACK8-4 | | REV. A |
| TOLERANCES: .xxx ±0.010 | DWN. | Yuan | May-11-15 |
| Dimensions in Inch | CHK. | YK Liao | May-11-15 |
| SHEET 1 OF 2 | APP. | DDC | May-11-15 |

DOC. REV: A/4

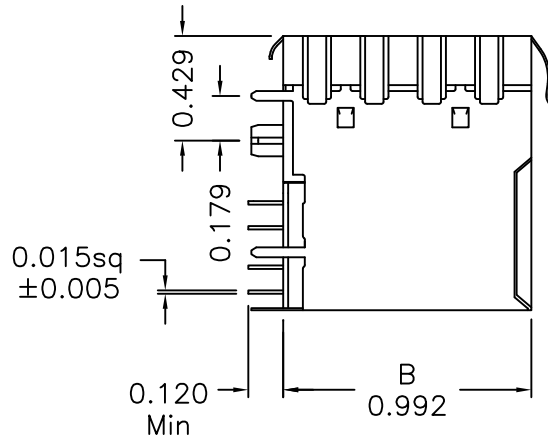
PROPRIETARY:

Document is the property of XFMRs Group & is not allowed to be duplicated without authorization.

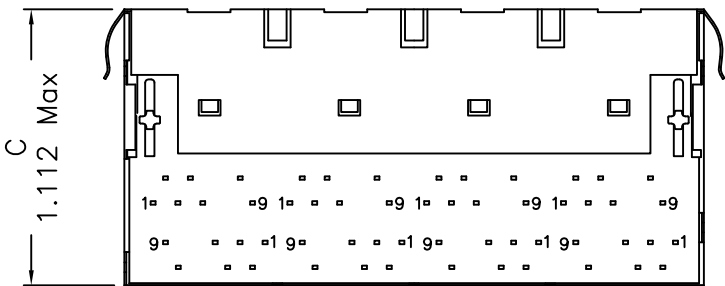
Mechanical Dimensions:



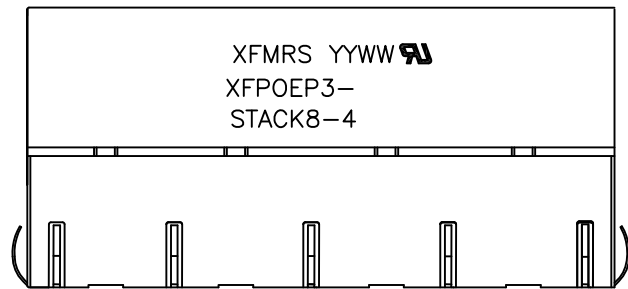
FRONT VIEW



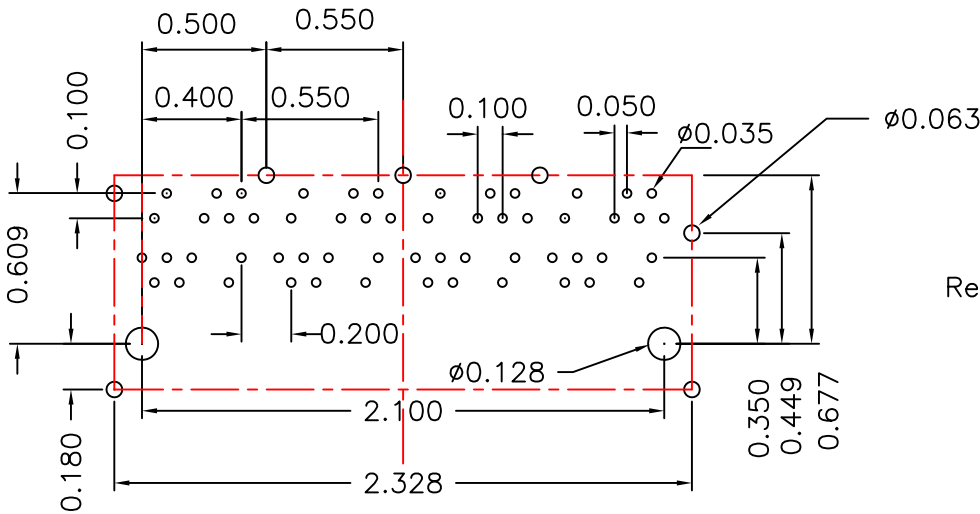
SIDE VIEW



BOTTOM VIEW



TOP VIEW



SUGGESTED MOUNTING PATTERN (COMPONENT SIDE)

DOC. REV. A/4

PROPRIETARY

Document is the property of XFMRS Group & is not allowed to be duplicated without authorization.

| | | | |
|------------------------------------|--|-----------------------|-----------|
| XFMRS Inc. www.XFMRS.com | Title: Mechanical Dimensions For 2x4 STACKED COMBO Series | | |
| | UNLESS OTHERWISE SPECIFIED TOLERANCES: .xxx ±0.010 Dimensions in Inch | P/N: XFPOEP3-STACK8-4 | REV. A |
| SHEET 2 OF 2 | DWN. | Yuan | May-11-15 |
| | CHK. | YK Liao | May-11-15 |
| | APP. | DDC | May-11-15 |