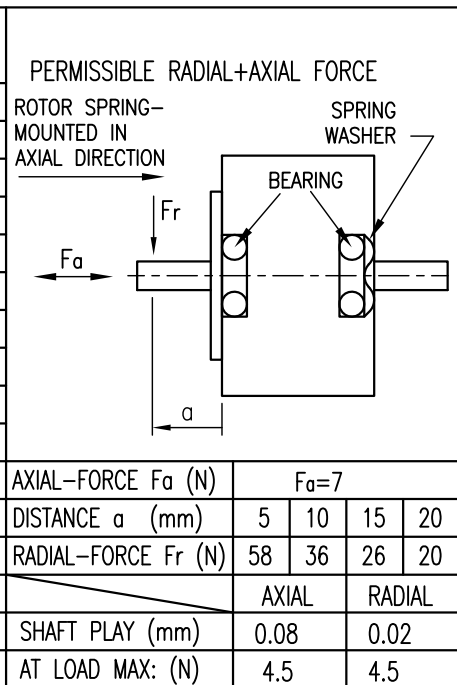


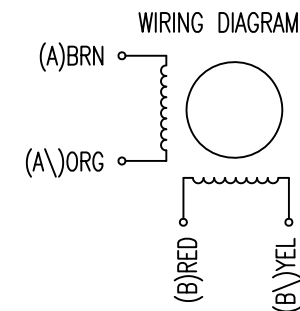
SPECIFICATION	BIPOLAR
VOLTAGE (VDC)	3.3
AMPS/PHASE	3.0
RESISTANCE/PHASE (Ohms)@25°C	1.1±15%
INDUCTANCE/PHASE (mH) @1KHz	2.7±20%
HOLDING TORQUE (Nm) [lb-in]	0.8 [7.08]
DETENT TORQUE (Nm) [lb-in]	2.8x10 ⁻² [0.25]
STEP ANGLE (°) ± ACCURACY	1.8±5% (NON-ACCUM)
BACK-EMF (V) (300 U/min)	6.2
ROTOR INERTIA (Kg-m ²) [lb-in ²]	1.02x10 ⁻⁵ [3.48x10 ⁻²]
WEIGHT (Kg) [lb]	0.5 [1.1]
TEMPERATURE RISE: MAX.80°C (MOTOR STANDSTILL; FOR 2 PHASE ENERGIZED)	
AMBIENT TEMPERATURE -10°~ 50°C [14°F ~ 122°F]	
INSULATION RESISTANCE 100 MOhm (UNDER NORMAL TEMPERATURE AND HUMIDITY)	
INSULATION CLASS B 130° [266°F]	
DIELECTRIC STRENGTH 500VAC FOR 1 MIN. (BETWEEN THE MOTOR COILS AND THE MOTOR CASE)	
AMBIENT HUMIDITY MAX. 85% (NO CONDENSATION)	



TYPE OF CONNECTION (EXTERN)	MOTOR		
	BIPOLAR	LEADS	WINDING
PIN NO			
1	A —	BRN	A
2	A\ —	ORG	A\
3	B —	RED	B
4	B\ —	YEL	B\

FULL STEP 2 PHASE-Ex., WHEN FACING MOUNTING END (X)

STEP	A	B	A\	B\	CCW	CW
1	+	+	-	-	↓	↑
2	-	+	+	-	↓	↑
3	-	-	+	+	↓	↑
4	+	-	-	+	↓	↑



				 Nanotec [®] PLUG & DRIVE	SCALE FREE	APVD	<i>S.Ha.</i>	17.03.10	STEPPING MOTOR DWG.NO ST4118D3004
					X ±0.5	CHKD			
					1PL ±0.2	DRN	<i>J.W.</i>	17.03.10	
REV	DESCRIPTION	DATE	APVD	ST4118D3004	2PL ±0.1	SIGNATURE	DATE		
					ANGLE ±30'				