



Gas Discharge Tubes

RL600F- 2104Series

Gas Discharge Tubes - RL600F-2104 Series

GDT introduction: Gas discharge tubes (GDT) use noble gasses enclosed in ceramic tubes to provide an alternate circuit path for voltage spikes. The ceramic envelope and with nickel connectors allow for high loads and Ruilon offers products that function at 20KA,40KA,50KA,60KA,100KA&150KA. The breakdown voltages of the devices have a wide range (up to 20% tolerance). Major applications are high frequency telecommunication lines, stations, security systems, HID and high quality Surge Protection Devices (SPD).



Features

1. Stable performance over life
2. High insulation resistance
3. RoHS-compatible

Recommended Applications

1. AC power lines
2. Class I and class II - requirem

Electrical specifications

Series/Type:	RL600F-2104		
DC spark-over voltage 1) 2)		<600	V
Front of wave spark-over voltage - at 1.2/50 μ s, 6 kV		< 1500	V
Breakdown time - typical values		< 100 < 40	ns ns
Insulation resistance at 100 V _{DC}		> 1	G Ω
Class I according to EN 61643-11			
Max. continuous operating voltage at 50/60 Hz	U _c	264	V
Nominal discharge current 8/20 μ s	I _n	30	kA
Impulse current 10/350 μ s	I _{imp}	25	kA
Follow current at 50/60 Hz	I _f	100	A
Class I according to EN 61643-11			
Max. continuous operating voltage at 50/60 Hz	U _c	264	V
Nominal discharge current 8/20 μ s	I _n	30	kA
Impulse current 8/20 μ s	I _{imp}	40	kA
Follow current at 50/60 Hz	I _f	100	A
AC discharge current (TOV3) at 1200 V 1 operation 50 Hz, 0.2 s		300	A
Weight		~ 10	g
Operation and storage temperature		-40~+90	°C
Climatic category (IEC 60068-1)		40/ 90/ 21	
Marking		without	

1) At delivery AQL 0.65 level II, DIN ISO 2859

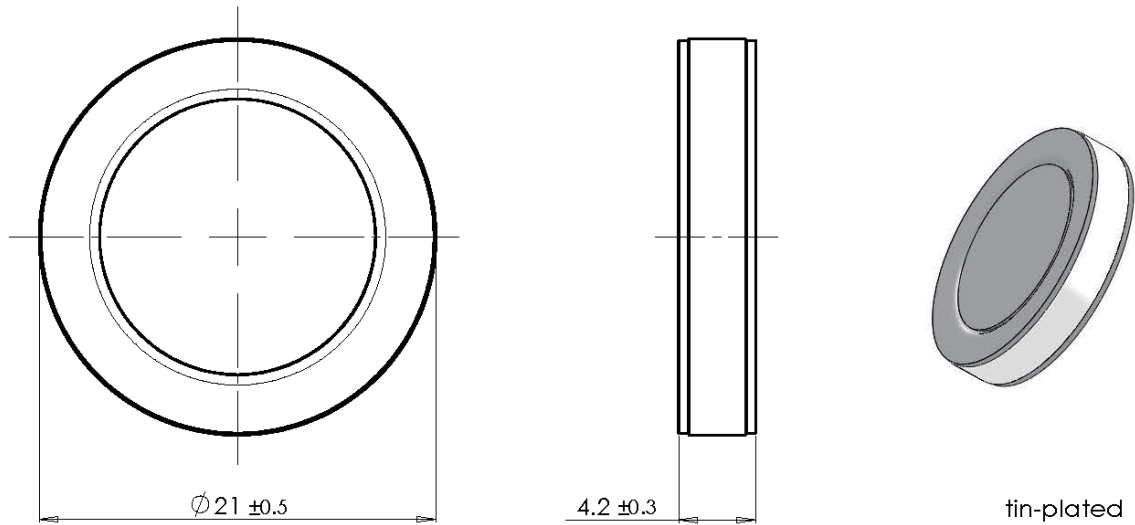
2) In darkness w/o storage

3) TOV – Temporary over voltage

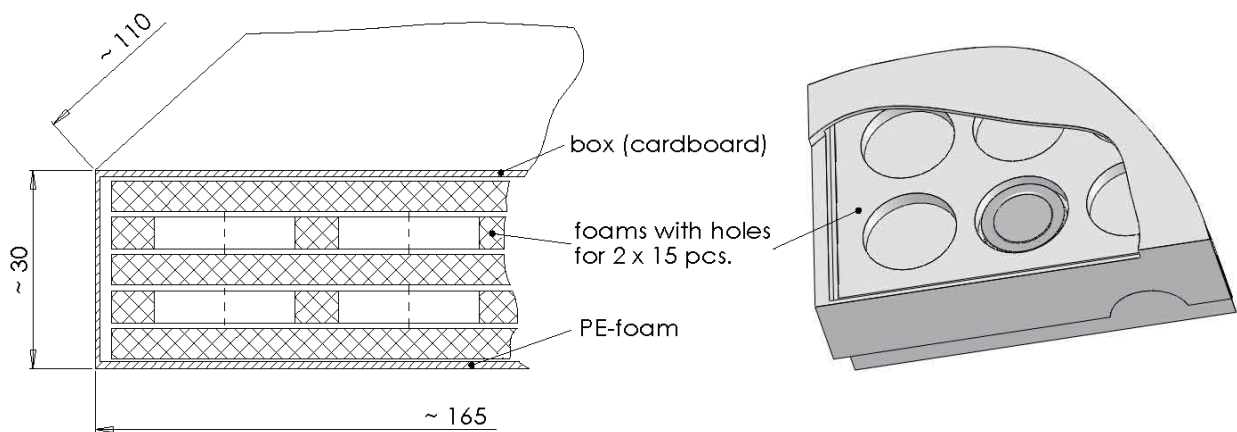
Gas Discharge Tubes - RL600F-2104 Series

Dimension

Unit:mm



Ordering code and packing advice
RL600G-3012= 20 pcs. on trays



Warehouse Storage Conditions of Products

- Storage Conditions:
 1. Storage Temperature: $-10^{\circ}\text{C} \sim +40^{\circ}\text{C}$
 2. Relative Humidity: $\leq 75\% \text{RH}$
 3. Keep away from corrosive atmosphere and sunlight.
- Period of Storage: 1 year

RuiLongYuan Electronics Co., Ltd.

- Reproducing and modifying information of the document is prohibited without permission from Ruilongyuan International Inc.
- Ruilongyuan International Inc. reserves the rights to make changes of the content herein the document anytime without notification. Please refer to our website for the latest document.
- Ruilongyuan International Inc. disclaims any and all liability arising out of the application or use of any product including damages incidentally and consequentially occurred.
- Ruilongyuan International Inc. does not assume any and all implied warranties, including warranties of fitness for particular purpose, non-infringement and merchantability.
- Applications shown on the herein document are examples of standard use and operation. Customers are responsible in comprehending the suitable use in particular applications. Ruilongyuan International Inc. makes no representation or warranty that such applications will be suitable for the specified use without further testing or modification.
- The products shown herein are not designed and authorized for equipments requiring high level of reliability or relating to human life and for any applications concerning life-saving or life-sustaining, such as medical instruments, transportation equipment, aerospace machinery et cetera. Customers using or selling these products for use in such applications do so at their own risk and agree to fully indemnify Ruilongyuan International Inc. for any damages resulting from such improper use or sale.

Tel: +86-755-8290 8296

Fax: +86-755-8290 8002

E-mail: jack@ruilon.com