



DESCRIPTION
HOUSING

REQ

Connector
Heat Sink
Color

TNC Female
Black Anodized Aluminum Heatsink

HTM

HTM
HTM
HTM

W

HTM
HTM
HTM

W

HTM
HTM
HTM

W

HTM
HTM
HTM

W

DIF

Color

Black

Type
Type
Type
Type
Type

TNC Female
TNC Female
TNC Female
TNC Female
TNC Female

RoHS Compliant

YES

Yes

Anodized Aluminum Heatsink

DESCRIPTION

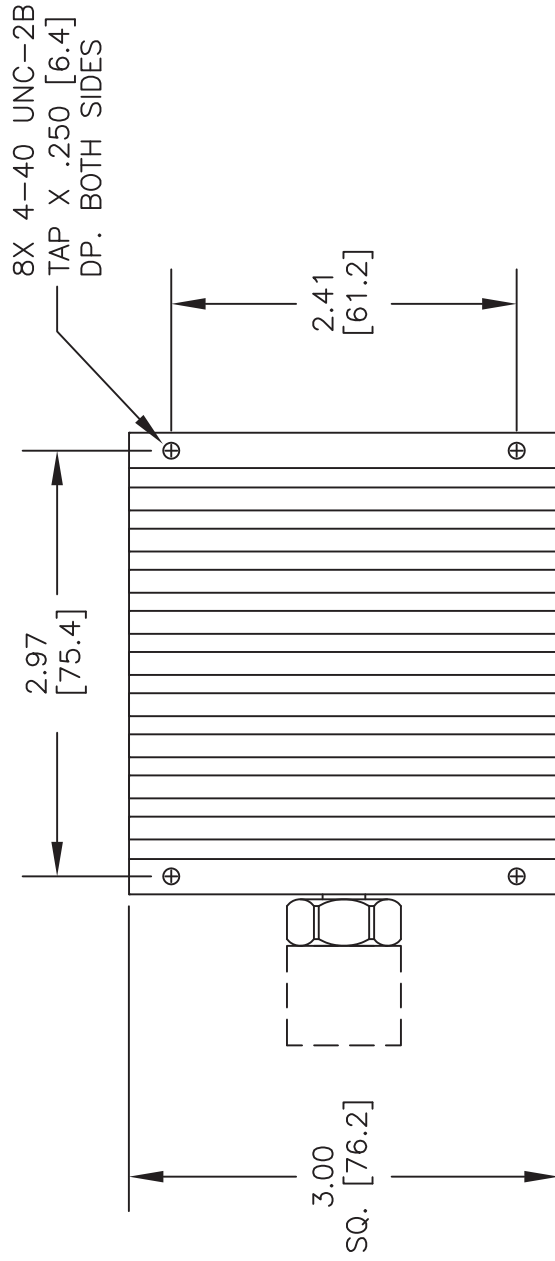
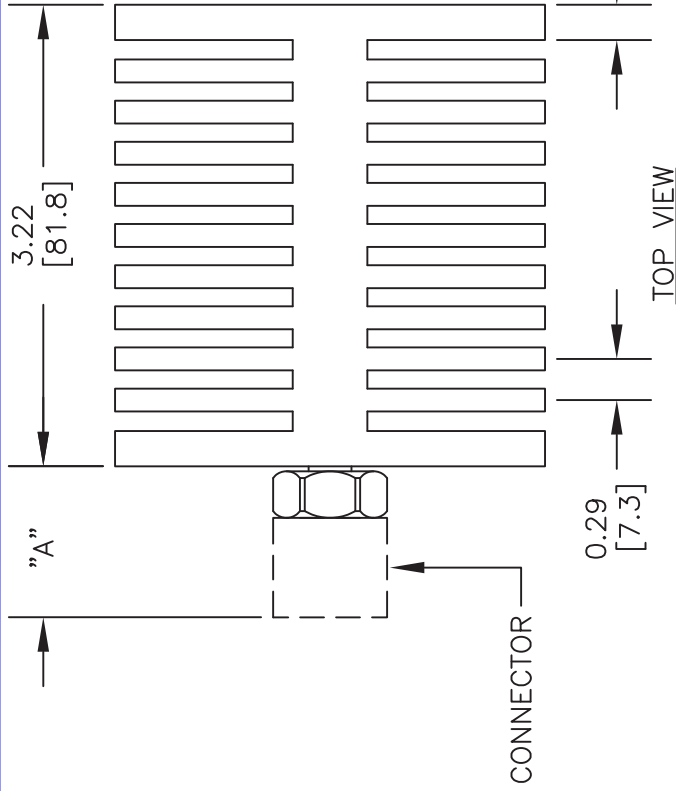


Table of Information	
Connector Type	DIM "A" (REF.)
SMA Male	0.68
SMA Female	0.54
N Male	0.98
N Female	0.95
TNC Male	0.98
TNC Female	0.94
7/16 Male	1.12
7/16 Female	1.16

Part Number Configuration	
PN	Connector
PE6211	SMA Male
PE6212	SMA Female
PE6213	N Male
PE6214	N Female
PE6215	TNC Male
PE6216	TNC Female
PE6217	7/16 Male
PE6218	7/16 Female

DWG TITLE

PE62xx

NOTES:
 1. UNLESS OTHERWISE SPECIFIED ALL DIMENSIONS ARE NOMINAL.
 2. ALL SPECIFICATIONS ARE SUBJECT TO CHANGE WITHOUT NOTICE AT ANY TIME.
 3. DIMENSIONS ARE IN INCHES [mm].

PE PASTERNAK®
 Pasternack Enterprises, Inc.
 P.O. Box 16759 | Irvine | CA | 92623
 Phone: (949) 261-1920 | Fax: (949) 261-7451
 Website: www.pasternack.com | E-Mail: sales@pasternack.com

FSCM NO. 53919

CAD FILE 080213

SCALE N/A

SIZE A

2233