



Medium Power 25 Watts RF Load Up To 8 GHz With
Female Input Round Body Black Anodized Aluminum Heatsink

Configuration

Connector	7/16 DIN Female
Connector Specification	MI L - STD - 348
Heat Sink	Black Anodized Aluminum Heatsink
Connection Method	Standard
Body Style	Straight

Electrical Specifications

Frequency Range, GHz	DC to 8
Impedance, Ohms	50
Maximum VSWR	1.6:1
Maximum Input Power, Watts	25
Peak Power, Watts	500

Frequency 1	
Frequency, GHz	DC to 6
VSWR	1.3:1

Frequency 2	
Frequency, GHz	6 to 12.4
VSWR	1.45:1

Frequency 3	
Frequency, GHz	12.4 to 18
VSWR	1.6:1

Mechanical Specifications

Temperature	
Operating Range, deg C	-65 to +125

Size	
Length, in [mm]	3.9 [99.06]
Width/Dia., in [mm]	2.3 [58.42]
Color	Black

Connector	
Type	7/16 DIN Female
Inner Conductor Material and Plating	Brass, Silver
Outer Conductor Material and Plating	Brass, Silver
Body Material and Plating	Brass, Silver
Dielectric Type	PTFE

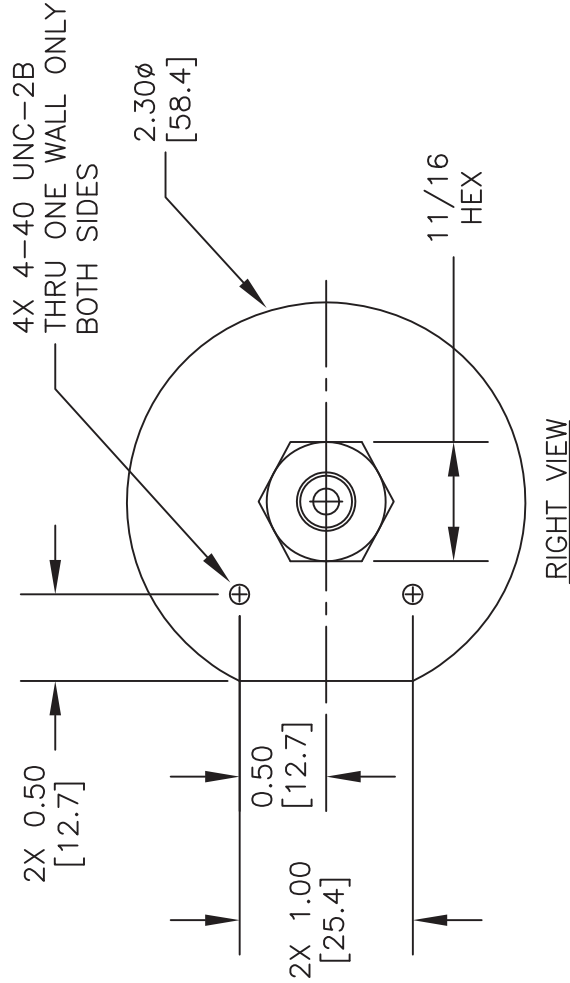
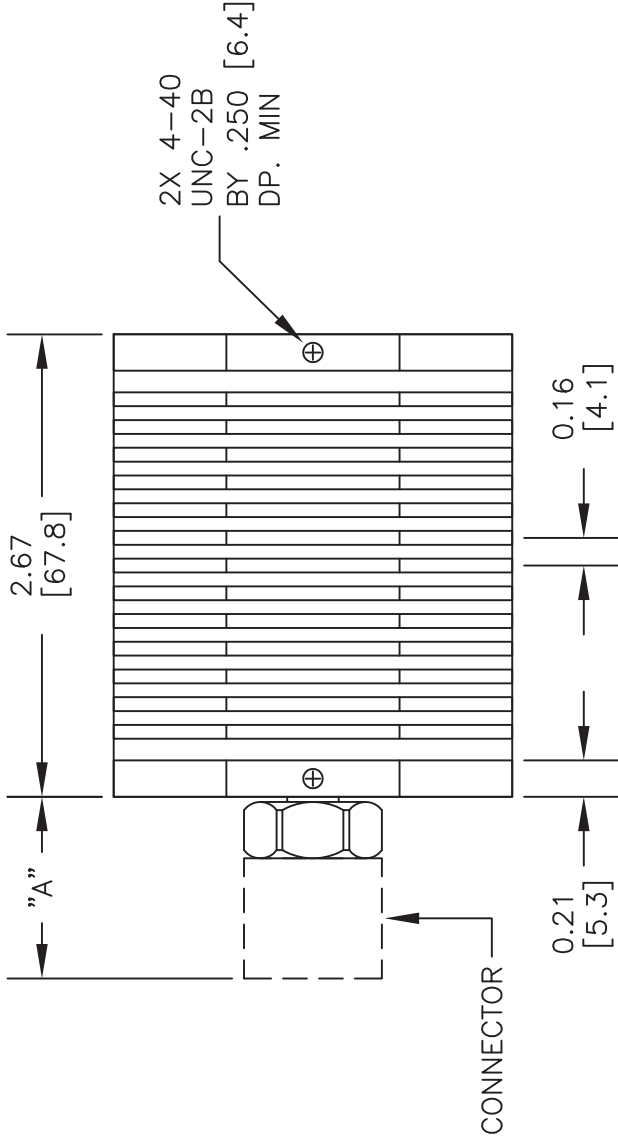
Compliance Certification is available at www.pasternack.com for current documents
RoHS Compliant Yes

Click the following link (or enter part number in "SEARCH" inventory and Model number) for **25 Watts RF Load Up To 8 GHz With Black Anodized Aluminum Heatsink P E 6 2 1 0**

The information contained in this document is accurate to the best of our knowledge and representative of the part described herein. It may be necessary to make modifications to the part and/or the documentation of the part, in order to implement improvements. Pasternack reserves the right to make such changes as required. Unless otherwise stated, all specifications are nominal.



PE62100A D Drawing
 Medium Power 25 Watts RF Load Up To 8 GHz
 Female Input Round Body Black Anodized Aluminum Heatsink



Part Number Configuration	
PN	Connector
PE6203	SMA Male
PE6204	SMA Female
PE6205	N Male
PE6206	N Female
PE6207	TNC Male
PE6208	TNC Female
PE6209	7/16 Male
PE6210	7/16 Female

Table of Information	
Connector Type	DIM "A" (REF.)
SMA Male	0.68
SMA Female	0.54
N Male	0.98
N Female	0.95
TNC Male	0.98
TNC Female	0.94
7/16 Male	1.12
7/16 Female	1.16

NOTES:
 1. UNLESS OTHERWISE SPECIFIED ALL DIMENSIONS ARE NOMINAL.
 2. ALL SPECIFICATIONS ARE SUBJECT TO CHANGE WITHOUT NOTICE AT ANY TIME.
 3. DIMENSIONS ARE IN INCHES [mm].

DWG TITLE
PE62xx

PE PASTERNAK®
 Pasternack Enterprises, Inc.
 P.O. Box 16759 | Irvine | CA | 92623
 Phone: (949) 261-1920 | Fax: (949) 261-7451
 Website: www.pasternack.com | E-Mail: sales@pasternack.com

FSCM NO. 53919

CAD FILE 080213 SCALE N/A SIZE A 2233