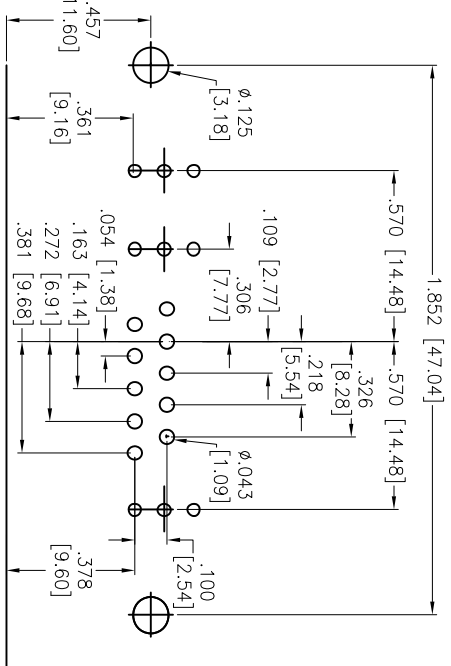
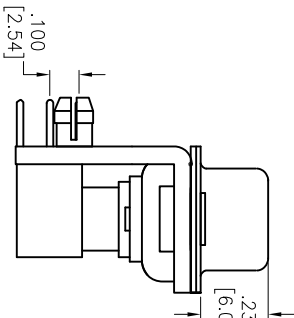
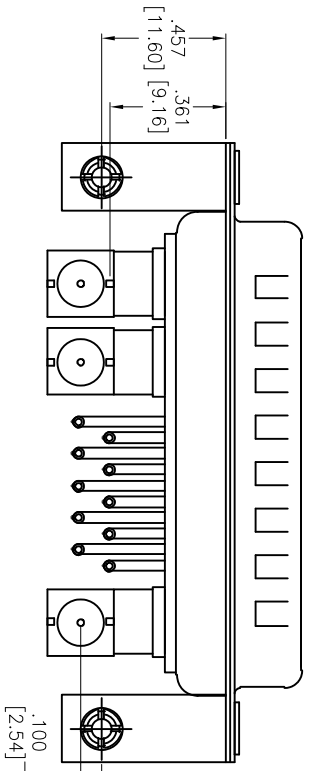
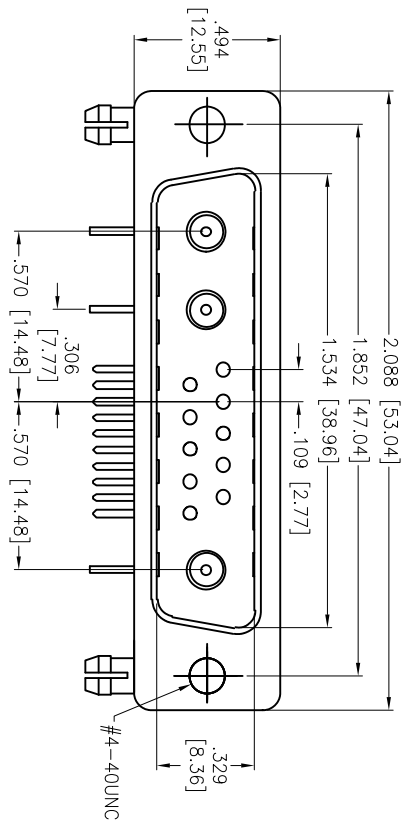


Rev	AWO #	Description	Date	Appr
-		RELEASED	05/02/12	

APPROVED: _____
 DATE: _____ TITLE: _____



RECOMMENDED PCB LAYOUT

SPECIFICATIONS:

Material:
 Insulator: Thermoplastic, glass reinforced, rated UL 94V-0
 Insulator color: Black
 Contacts: Brass
 Coaxial Center Insulator: Teflon
 Metal Bracket: Steel, Nickel plated
 Boardlock: Brass, Nickel plated
Plating:
 Gold flash over Nickel underplate overall
Electrical:
 Current rating: 5 Amp max
 Contact resistance: 10 mohms max
 Insulation resistance: 5,000 Mohms min
 Dielectric withstanding voltage: 1,000 VAC for 1 minute
 Impedance: 50 Ohm
 Temperature Rating:
 Operating temperature: -55°C to +125°C
Environmental:
 Lead free, RoHS compliant



ADAM TECH

909 Railway Avenue, Union, NJ 07083
 Phone: 908-687-5000 Fax: 908-687-5710

**D-SUB CONNECTOR, SIGNAL-COAX TYPE,
 PLUG, RIGHT ANGLE PCB, 50 OHM**

UNLESS OTHERWISE SPECIFIED ALL DIMENSIONS ARE INCHES [MM]	
TOLERANCES EXCEPT AS NOTED	HOLE SIZES
.X ± .10	ØXX ± .10
.XX ± .020	ØXXX ± .015
.XXX ± .015	ØXXXX ± .010
APPROVALS	DATE
DRAWN TW	05/02/12
CHECKED AY	05/02/12
APPROVED	

TITLE	SIZE	PART NO.	REV.
D-SUB CONNECTOR, SIGNAL-COAX TYPE, PLUG, RIGHT ANGLE PCB, 50 OHM	X	D13W3-PL-1-3-BL	
REF: S00019T	SCALE: NTS	SHEET 1 OF 1	