

AC Axial Fans

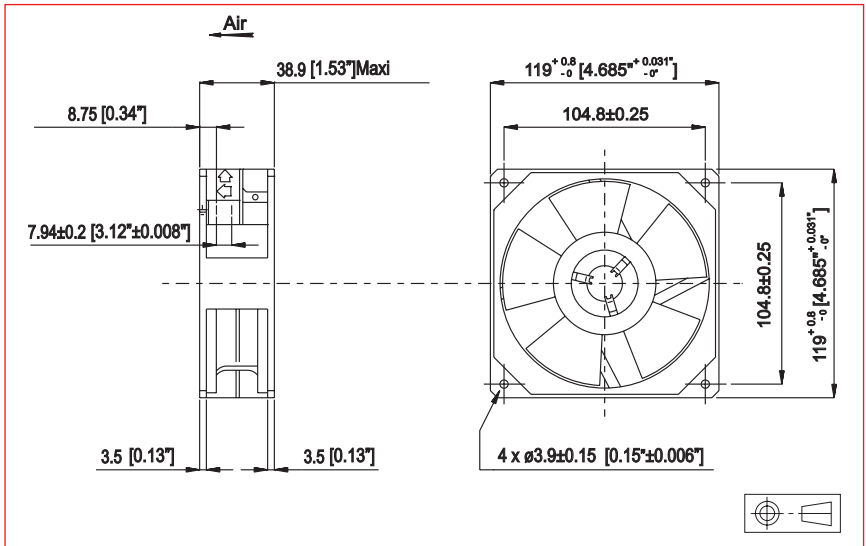


Approvals



Life expectancy

L-10 LIFE AT 40°C:
80 000 hours



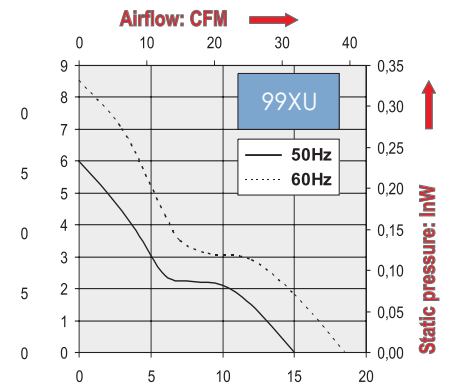
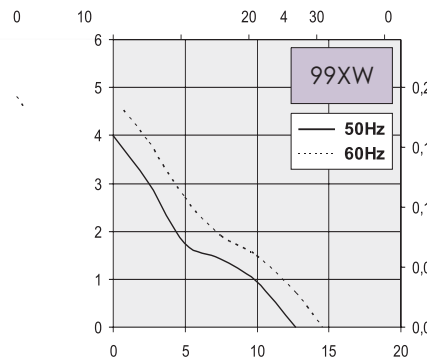
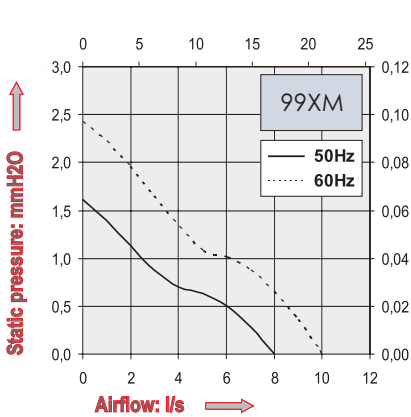
AC Motor

Electrical protection: impedance protected
Housing material: zamak
Impeller material: plastic UL 94 VO
Weight: 395 g
Bearing system: ball bearings
Connection: terminals

Single phase
IP 20

Available with:

- Speed sensor
- IP 54
- Flying leads



Part Number	Nominal voltage	Airflow		Noise level	Nominal speed	Frequency	Input Power	Nominal current	Starting current	Operating temperature	
	V	l/s	Cfm	dB(A)	RPM	Hz	W	mA	mA	Min.°C	Max.°C
99XM0182000	115	8	16,95	21	1500	50	7	75	80	-10	70
		10	21,2	25,5	1800	60	6	65	70	-10	70
99XM0181000	208-240	8	16,95	21	1500	50	8	40	45	-10	70
		10	21,2	25,5	1800	60	7	35	40	-10	70
99XW0182000	115	12	25,43	32	2200	50	8	85	100	-10	70
		14	29,6	35,5	2500	60	6	70	90	-10	70
99XW0181000	208-240	12	25,43	32	2200	50	9	50	60	-10	70
		14	29,6	35,5	2500	60	7	40	50	-10	70
99XU0182000	115	15	31,8	38	2700	50	14	70	100	-10	70
		18,5	39,2	42	3200	60	11	60	90	-10	70
99XU0181000	208-240	15	31,8	38	2700	50	14	70	100	-10	70
		18,5	39,2	42	3200	60	11	60	90	-10	70

Additional versions:

Salt spray protected - Shock and vibration protected - marine specifications - wide temperature range