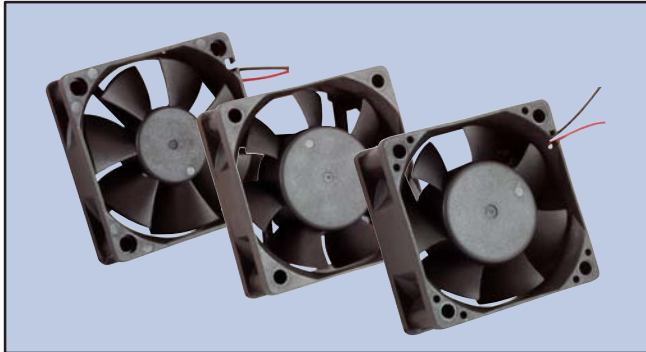


# Fan, DC Types, 60 x 60mm



## Features

- High Speed
- Ball Bearings
- 24 AWG Red (+) and Black (-) Leads
- 11.8" (300mm) Lead Length



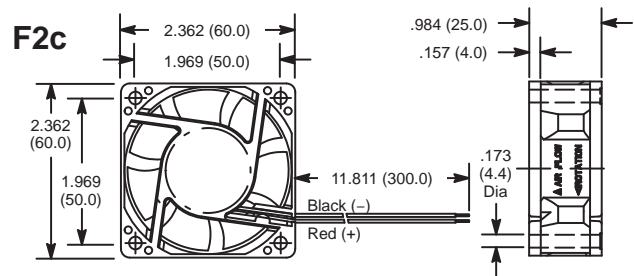
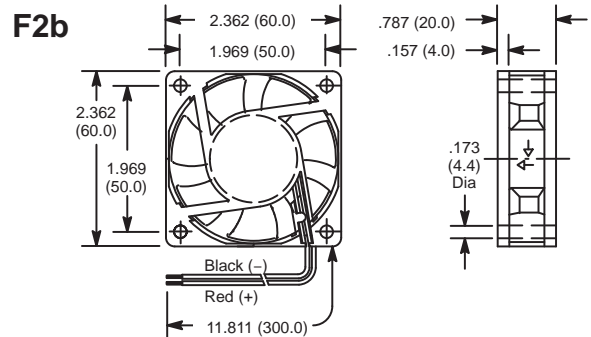
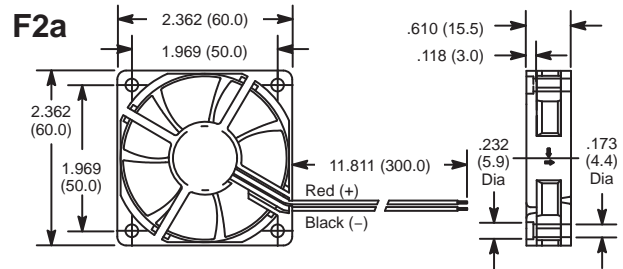
## DC OPERATED

| NTE Type No. | Rated Voltage | Max. Input Current | Max. Input Power (W) | Speed $\pm 10\%$ (RPM) | Max Air Flow (CFM) | Max Acoustical Noise | Diag No. |
|--------------|---------------|--------------------|----------------------|------------------------|--------------------|----------------------|----------|
| 77-6015D12   | 12            | 0.20A              | 2.35                 | 4500                   | 18.62              | 39dB(A)              | F2a      |
| 77-6015D24#  | 24            | 0.17A              | 4.14                 | 4500                   | 18.62              | 39dB(A)              | F2a      |
| 77-6020D12   | 12            | 0.18A              | 2.21                 | 4200                   | 22.43              | 38dB(A)              | F2b      |
| 77-6020D24#  | 24            | 0.15A              | 3.59                 | 4200                   | 22.43              | 38dB(A)              | F2b      |
| 77-6025D12   | 12            | 0.16A              | 1.93                 | 4000                   | 19.25              | 32dB(A)              | F2c      |
| 77-6025D24   | 24            | 0.16A              | 3.86                 | 4000                   | 19.25              | 32dB(A)              | F2c      |

# These devices do not meet UL approval

## ACCESSORIES

| FAN TYPE  | DESCRIPTION      | NTE TYPE NO. |
|-----------|------------------|--------------|
| 60 X 60mm | Fan Guard, Metal | 77-MG60      |



## Specifications

### Electrical Characteristics

**Insulation Resistance:** 10M $\pm$  Min. (at 500VDC) between frame and positive terminal

**Dielectric Strength:** 500VAC, 1 minute; 600VAC, 1 sec at 5mA Max. between frame and positive terminal

**Life Expectancy:** Approx. 70000 hours at rated voltage, +40°C, 15% to 65% RH

### Mechanical Characteristics

**Frame:** Thermoplastic, Black, UL94V-0

**Impeller:** Thermoplastic, Black, UL94V-0

**Bearing:** 2 Ball Bearings

**Weight:** Approx. 34g (15mm); 50g (20mm); 62g (25mm)

### Environmental Characteristics

**Operating Temperature:** -10°C to +70°C

**Storage Temperature:** -40°C to +75°C

**Operating Humidity:** 35% to 85% RH

**Storage Humidity:** 35% to 85% RH

### Protection

**Polarity:** Damage will not occur for up to 10 minutes with positive and negative leads connected in reverse.

**Locked Rotor:** Within 72 hours of a rotor locking condition, at the rated voltage and operating temperature, the impedance of the motor winding will protect the motor from damage.