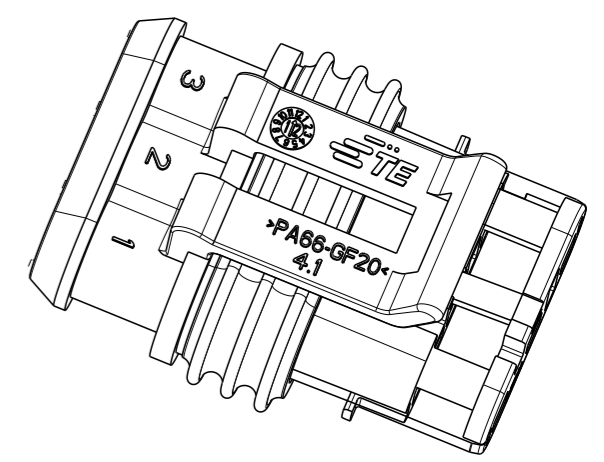
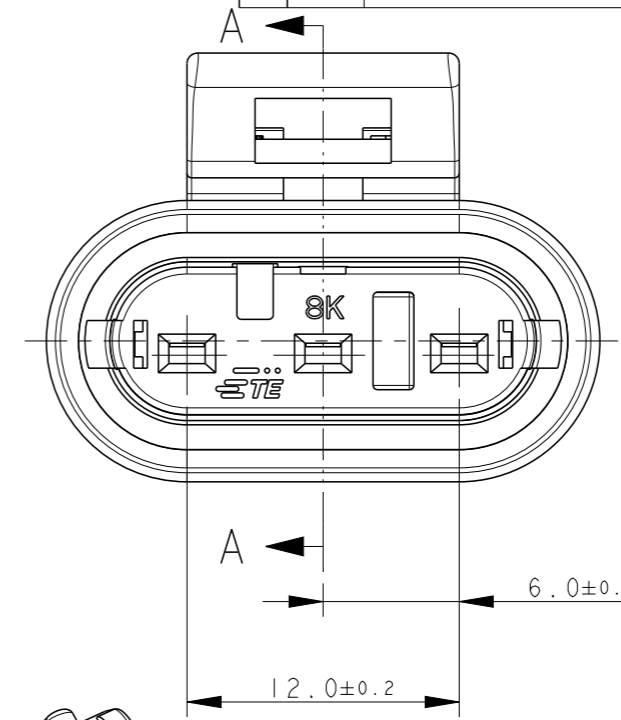
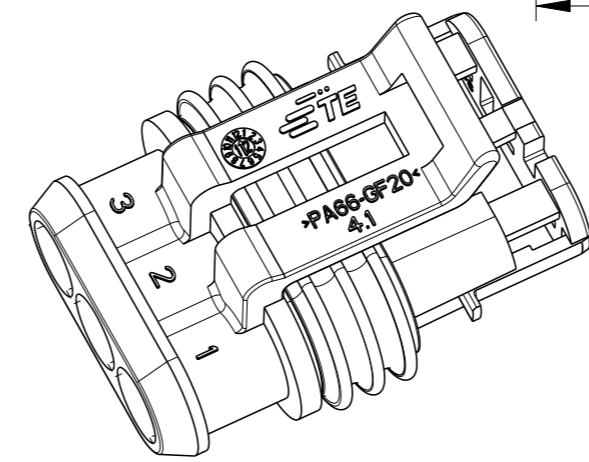
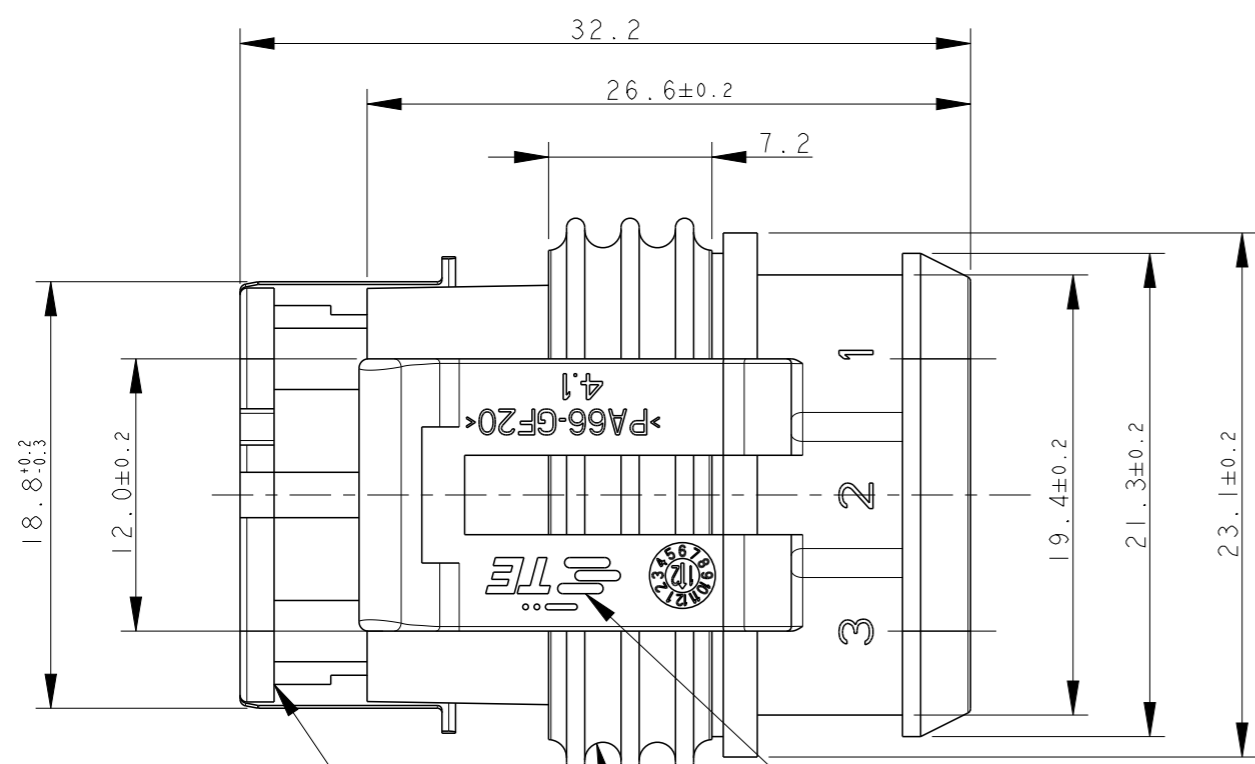
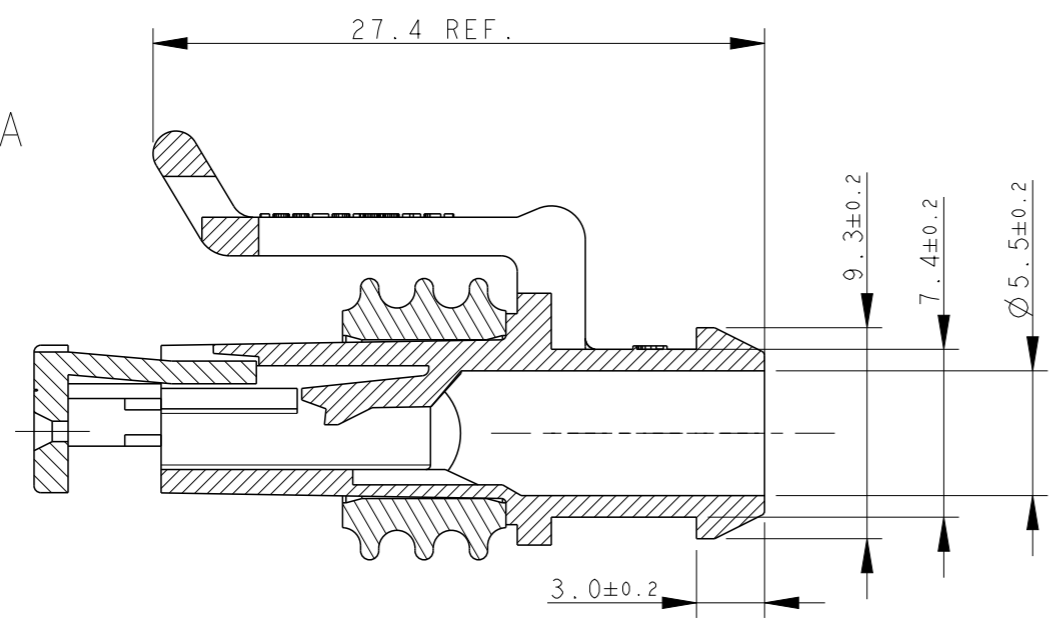


THIS DRAWING IS UNPUBLISHED. RELEASED FOR PUBLICATION 2011
 © COPYRIGHT 2011 ALL RIGHTS RESERVED.

P	LTR	DESCRIPTION	DATE	DWN	APVD
	C	ECR-14-009314	24MAR2015	M.P.	M.G.
	C1	REVISED (ECR-15-014031)	25SEP2015	M.G.	M.G.
	C2	ADDED FSL SEAL VERSION (ECO-15-016364)	13NOV2015	M.G.	M.G.

SECTION A-A



(*) **PRELIMINARY**

1) FOR COUNTERPART DETAILS, SEE SHEET 2 OF 2

FINISH/COLOR	MATERIAL	PART NUMBER
GRAY	HOUSING+SEC.LOCK:PA 66-GF SEALING: FSL	1-282087-2 (*)
BLACK	HOUSING+SEC.LOCK:PA 66-GF SEALING: FSL	1-282087-1 (*)
GRAY	HOUSING+SEC.LOCK:PA 66-GF SEALING: LSR	282087-2
BLACK	HOUSING+SEC.LOCK:PA 66-GF SEALING: LSR	282087-1

TE CONNECTIVITY TRADE MARK
 (IN ALTERNATIVE: "AMP" LOGO OR "Tyco Electronics" LOGO)

SEALING
 (COLOUR YELLOW FOR LSR VERSION)
 (COLOUR WHITE FOR FSL VERSION)

PRE-ASSEMBLED SECONDARY LOCK
 (COLOUR RED)

THIS DRAWING IS A CONTROLLED DOCUMENT.	
DIMENSIONS: mm	TOLERANCES UNLESS OTHERWISE SPECIFIED:
	0 PLC ± 1 PLC ±0.3 2 PLC ± 3 PLC ± 4 PLC ± ANGLES ±2°
MATERIAL SEE TABLE	FINISH SEE TABLE

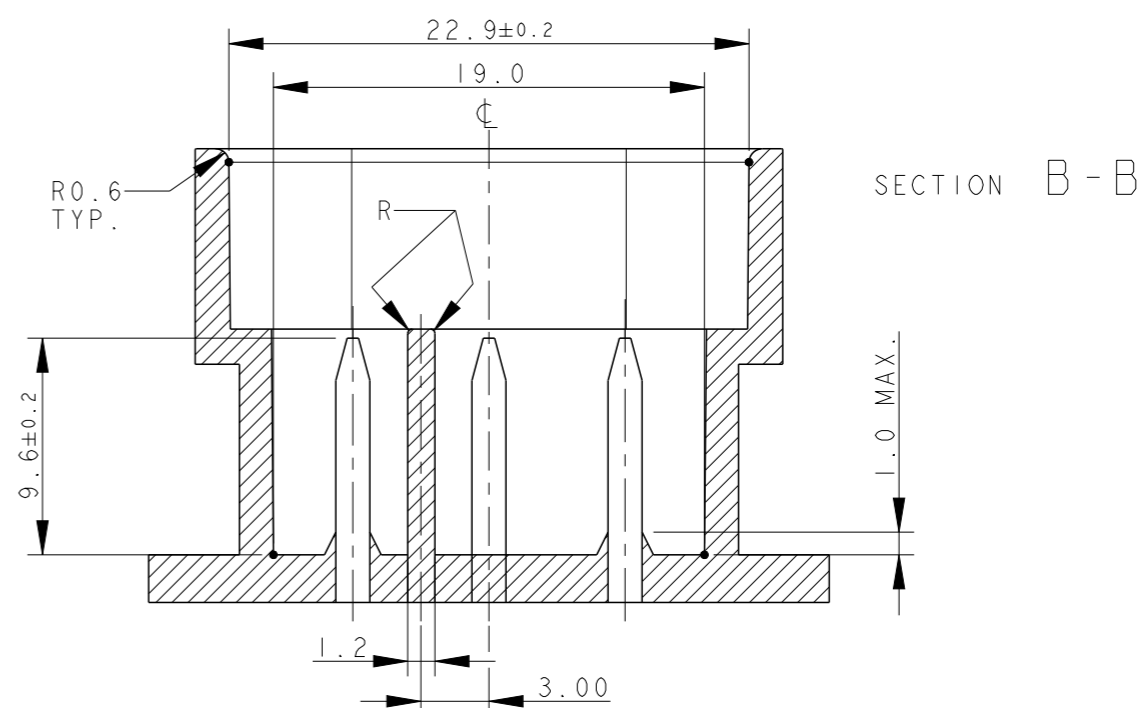
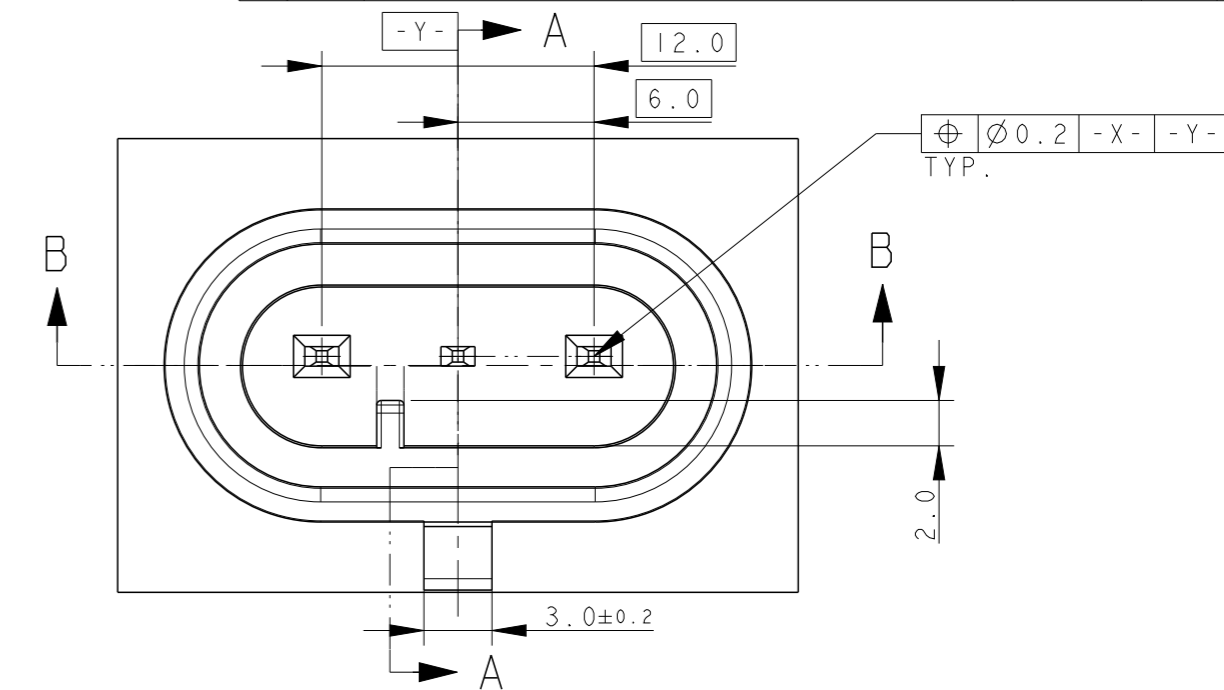
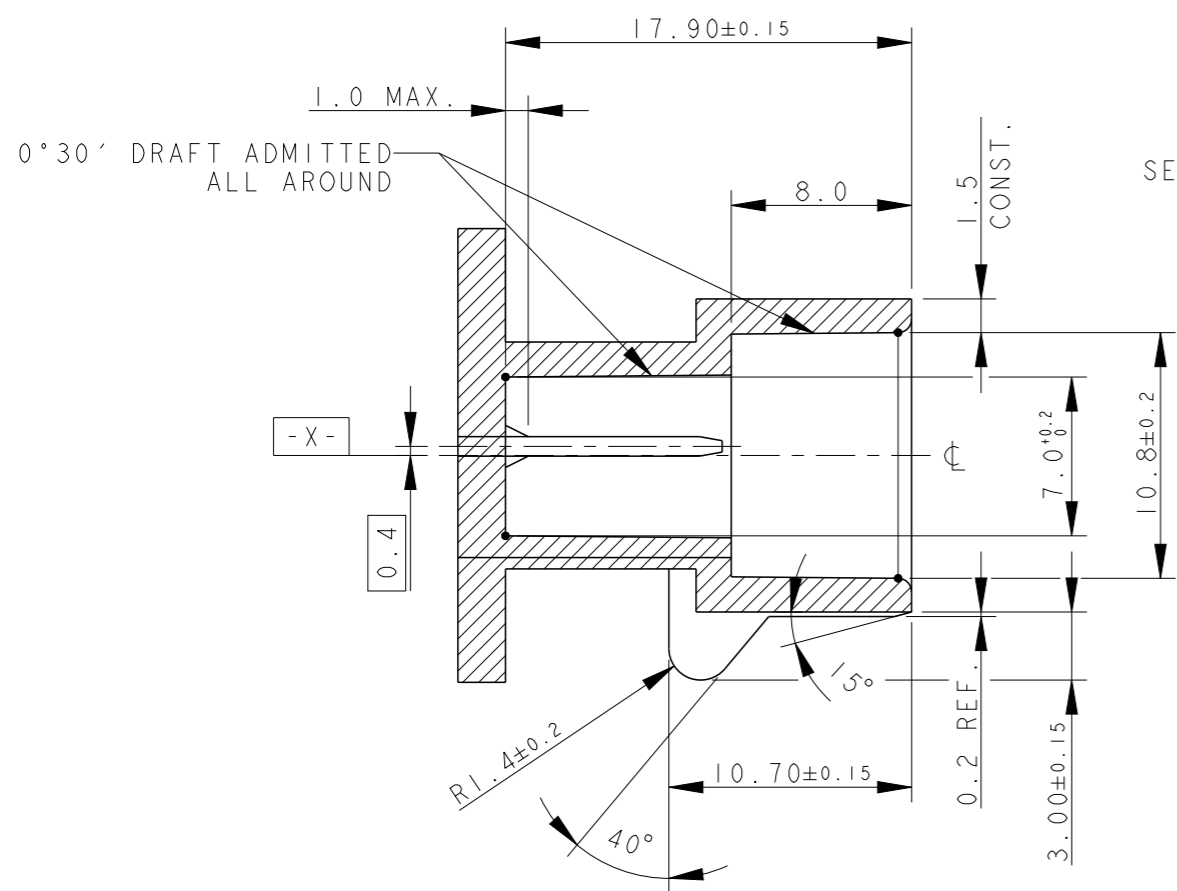
DWN	07-1990
C. BERTINI	
CHK	07-1990
A. BRUNI	
APVD	-
PRODUCT SPEC	108-20090
APPLICATION SPEC	412-20000
WEIGHT	3.65gr

TE Connectivity		NAME	
		-	
AMP SUPERSEAL 1.5 SRS. 3 POSITIONS PLUG ASS'Y		SIZE	RESTRICTED TO
A300779	CAGE CODE	DRAWING NO	-
C=282087			
Customer Drawing	SCALE	SHEET 1 OF 2	REV C2

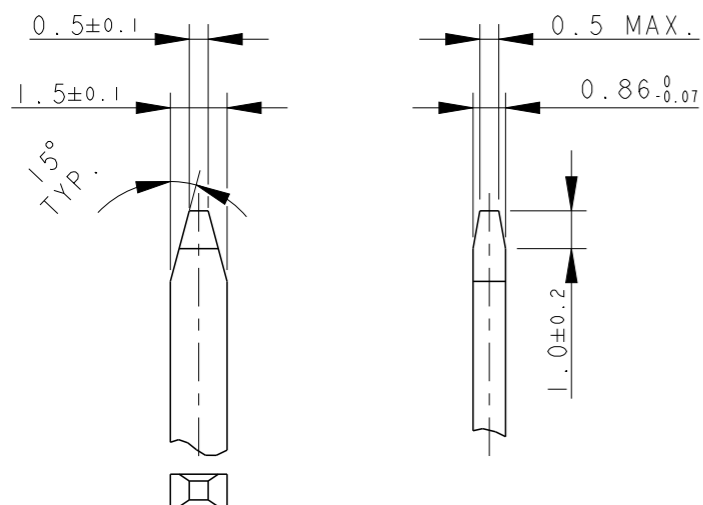
REVISIONS

P	LTR	DESCRIPTION	DATE	DWN	APVD
-	-	SEE SHEET 1	-	-	-

COUNTERPART DETAILS



TAB DETAILS



MATERIALS: PA66-GF FOR HOUSING
TIN PLATED BRASS FOR TABS

THIS DRAWING IS A CONTROLLED DOCUMENT.		DWN C. BERTINI 07-1990	TE Connectivity		
DIMENSIONS: mm		CHK A. BRUNI 07-1990			
TOLERANCES UNLESS OTHERWISE SPECIFIED:		APVD -	NAME -		
<ul style="list-style-type: none"> 0 PLC ±0.3 1 PLC ±0.1 2 PLC ±0.05 3 PLC ± 4 PLC ± ANGLES ±2° 		PRODUCT SPEC 108-20090	AMP SUPERSEAL 1.5 SRS. 3 POSITIONS PLUG ASS'Y		
MATERIAL		APPLICATION SPEC 412-20000	SIZE A300779	DRAWING NO C-282087	RESTRICTED TO -
FINISH		WEIGHT 3.65gr	SCALE -	SHEET 2 OF 2	REV C2
Customer Drawing					