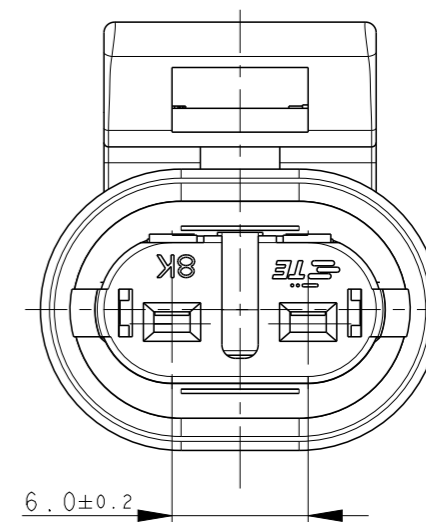
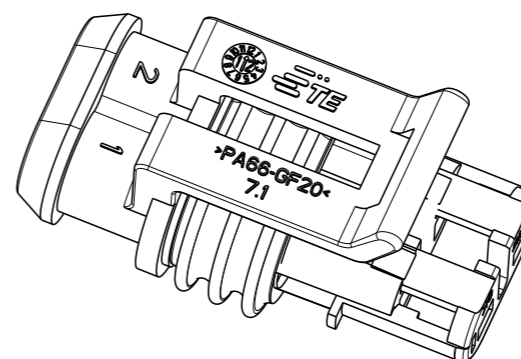
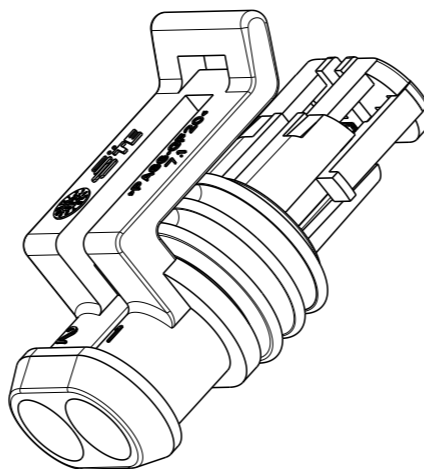
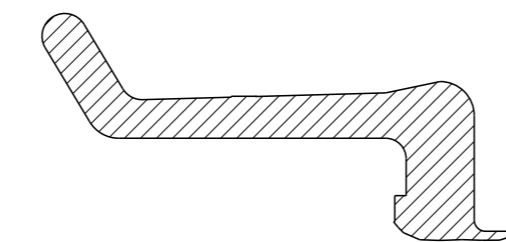
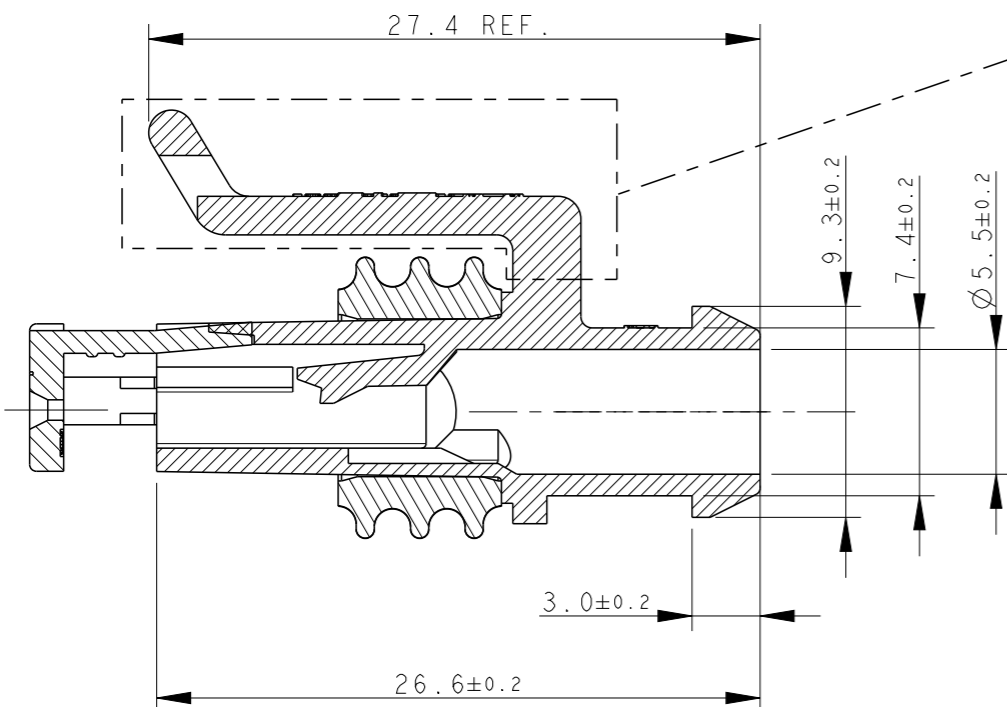


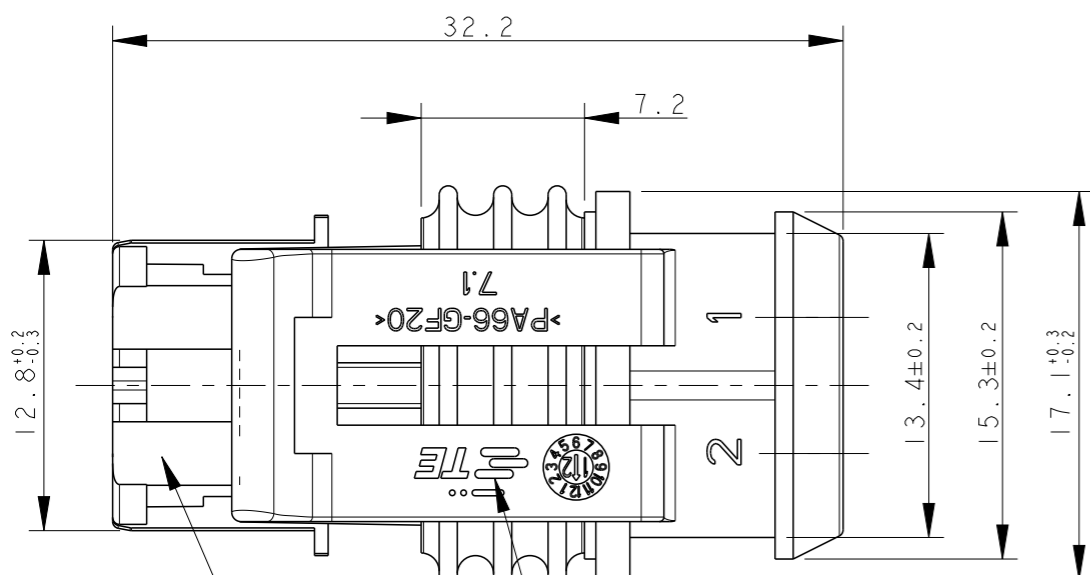
REVISIONS

P	LTR	DESCRIPTION	DATE	DWN	APVD
	D	ECR-14-009314	24MAR2015	M.P.	M.G.
	D1	REVISED (ECR-15-014031)	25SEP2015	M.G.	M.G.
	D2	ADDED FSL SEAL VERSION (ECO-15-016364)	13NOV2015	M.G.	M.G.

ALTERNATIVE DESIGN OF LOCKING LANCE



1) FOR COUNTERPART DETAILS, SEE SHEET 2 OF 2



TE CONNECTIVITY TRADE MARK, (IN ALTERNATIVE: "AMP" LOGO, OR "Tyco Electronics" LOGO)

SEALING (COLOUR YELLOW FOR LSR VERSION) (COLOUR WHITE FOR FSL VERSION)

PRE-ASSEMBLED SECONDARY LOCK (COLOUR RED)

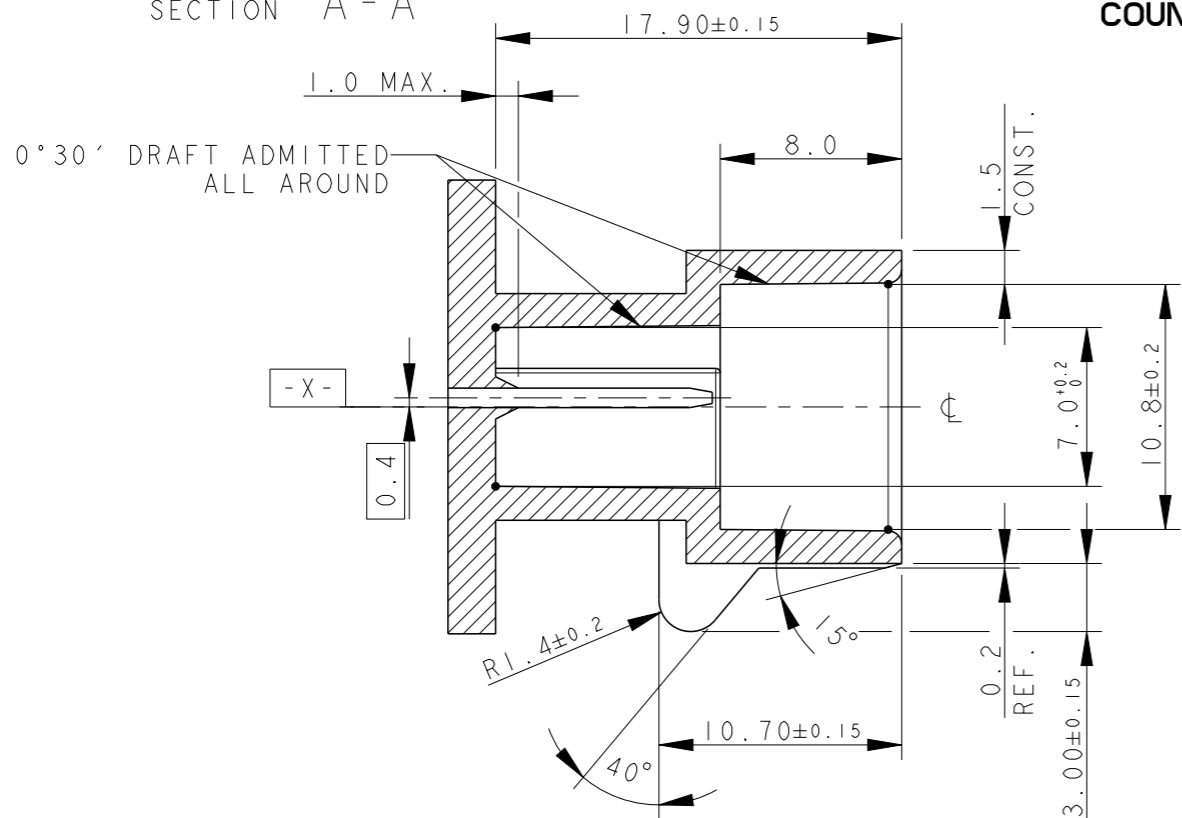
FINISH/COLOR	MATERIAL	PART NUMBER
(*) NOT YET RELEASED FOR PRODUCTION	HOUSING+SEC.LOCK:PA66-GF SEALING: FSL	1-282080-1 (*)
BLACK	HOUSING+SEC.LOCK:PA66-GF SEALING: LSR	282080-4
BROWN		282080-3
GREEN		282080-2
GRAY		282080-1
BLACK		

THIS DRAWING IS A CONTROLLED DOCUMENT.		DWN C. BERTINI 05-1992	TE TE Connectivity	
DIMENSIONS: mm		CHK A. BRUNI 05-1992		
TOLERANCES UNLESS OTHERWISE SPECIFIED:		APVD -	NAME -	
0 PLC ±-		PRODUCT SPEC 108-20090	AMP SUPERSEAL 1.5 SRS. 2 POSITIONS PLUG ASS'Y	
1 PLC ±0.3		APPLICATION SPEC 412-20000	SIZE A3	CAGE CODE 00779
2 PLC ±-		WEIGHT 2.60gr	DRAWING NO C-282080	RESTRICTED TO -
3 PLC ±-			SCALE 3:1	SHEET 1 OF 2
4 PLC ±-				REV D2
ANGLES ±2°		Customer Drawing		
FINISH -				
MATERIAL SEE TABLE				
SEE TABLE				

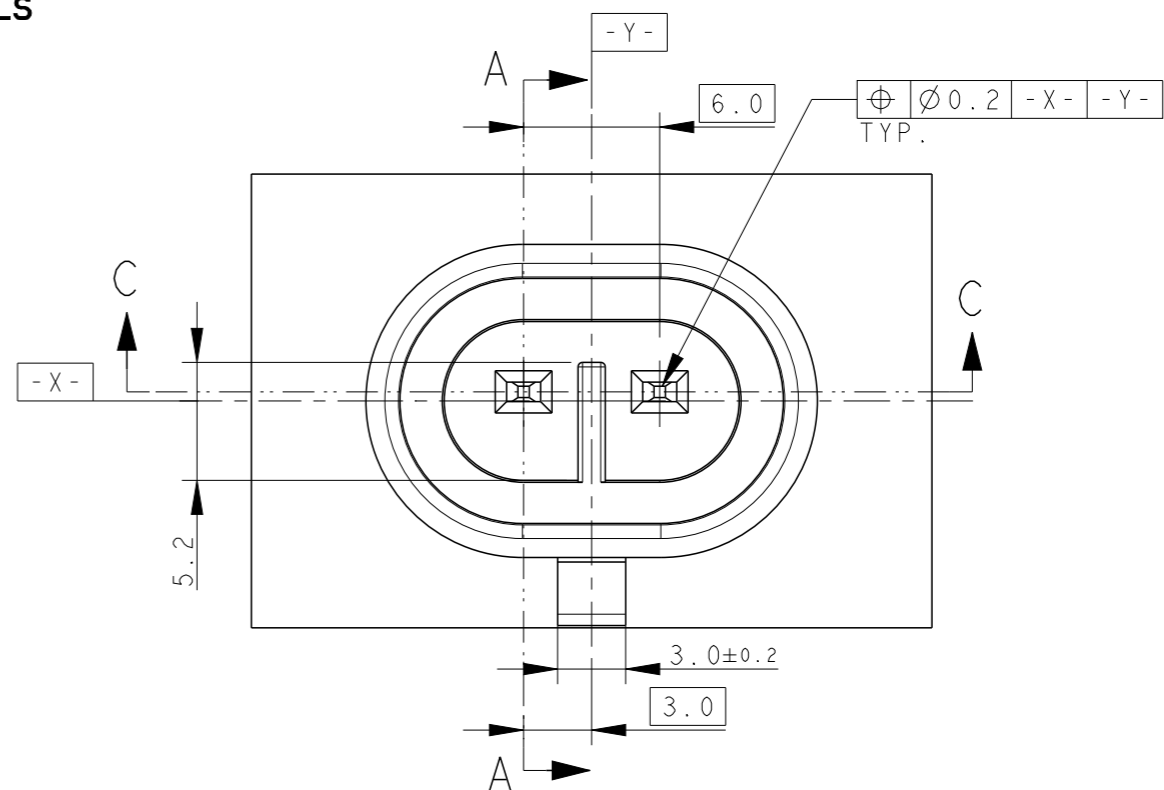
REVISIONS

P	LTR	DESCRIPTION	DATE	DWN	APVD
-	-	SEE SHEET 1	-	-	-

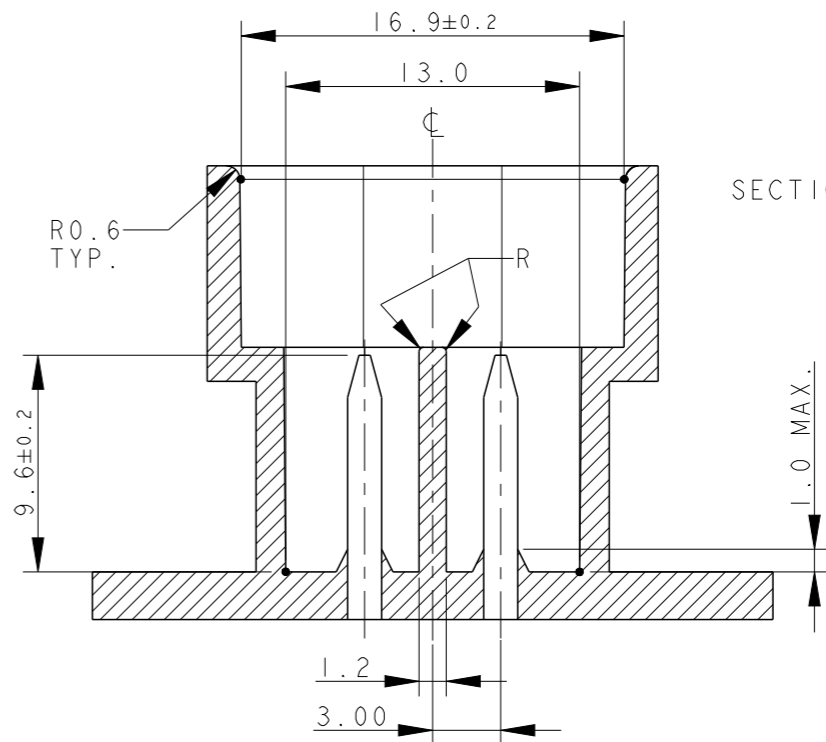
SECTION A-A



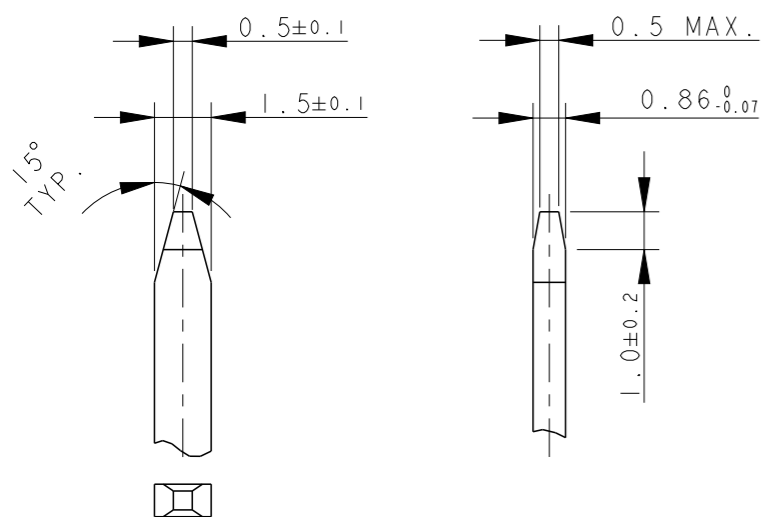
COUNTERPART DETAILS



SECTION C-C



TAB DETAILS



THIS DRAWING IS A CONTROLLED DOCUMENT.

DWN C. BERTINI 05-1992

CHK A. BRUNI 05-1992

APVD -

NAME



TE Connectivity

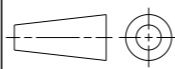
AMP SUPERSEAL 1.5 SRS.
2 POSITIONS PLUG ASS'Y

DIMENSIONS:

mm

TOLERANCES UNLESS OTHERWISE SPECIFIED:

- 0 PLC ±0.3
- 1 PLC ±0.1
- 2 PLC ±0.05
- 3 PLC ±
- 4 PLC ±
- ANGLES ±2°



MATERIAL

FINISH

PRODUCT SPEC 108-20090

APPLICATION SPEC 412-20000

WEIGHT 2.60gr

SIZE

CAGE CODE

DRAWING NO

RESTRICTED TO

A300779

G-282080

Customer Drawing

SCALE 5:1

SHEET 2 OF 2

REV D2

MATERIALS: PA66-GF FOR HOUSING
TIN PLATED BRASS FOR TABS