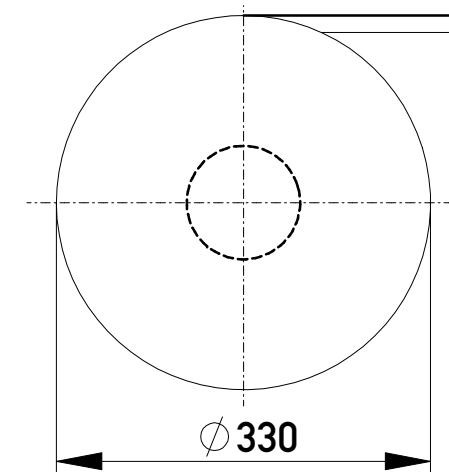
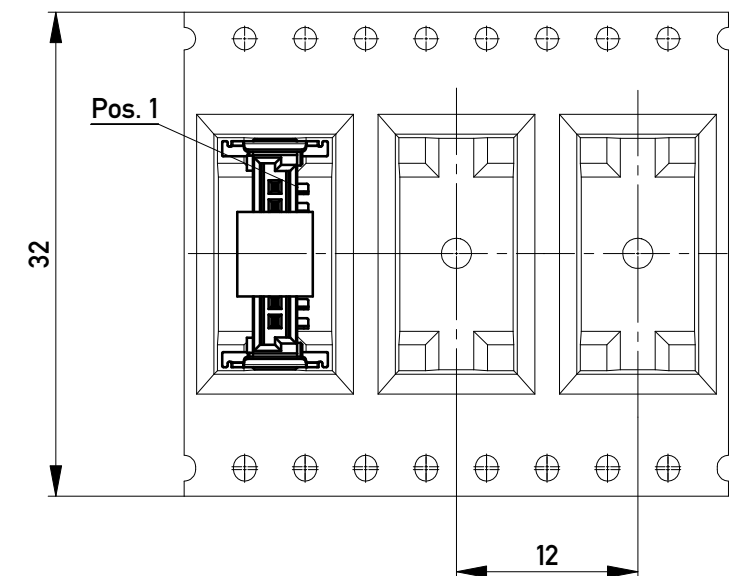


Verpackt in Gurtverpackung
Tape on Reel Packaging
Verpackungseinheit: 650 Stück
Packaging unit: 650 pcs



Abspulrichtung - Reel off Direction



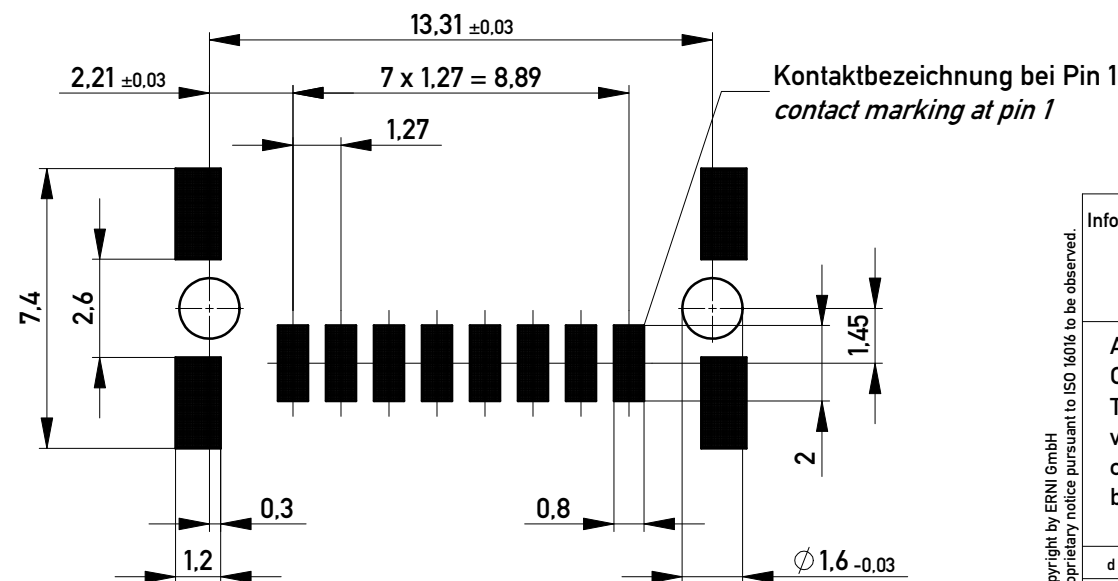
Anforderungsstufe 1
Performance Level 1

Kontaktbereich vergoldet
Mating Area gold plating

Anschlussbereich verzinkt 4-6 µm
Terminal Area 4-6 µm tin plating

Koplanarität der Anschlüsse ≤ 0,1 mm
Coplanarity Area of Termination ≤ 0,1 mm

Leiterplatten-Layout für SMT
PCB-Layout for SMT



Plating definitions, Performance class 1

	Mating area	Termination area
SMT PdNi-version	2-3µm Ni min. 0,65µm PdNi 0,15µm Au	2-3µm Ni 4-6µm Sn matt

RoHs - conform 6/6

Copyright by ERNI GmbH
Proprietary notice pursuant to ISO 16016 to be observed.

Information:		Tolerances	Scale 5:1
All rights reserved. Only for Information. To ensure that this is the latest version of this drawing, please contact one of the ERNI companies before using.		All Dimensions in mm	Designation
Subject to modification without prior notice. Drawing will not be updated.		www.ERNI.com	M 1,27 SRC P, 8-polig BA1
d	08.04.2013	ERNI	100200020001
Index	Date		K
Class		SRCP	A3