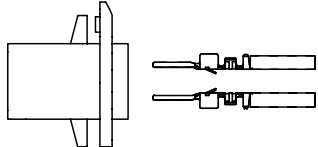


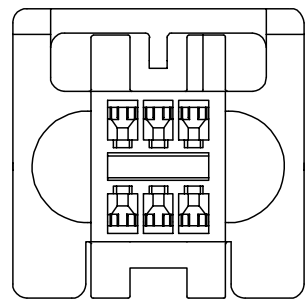
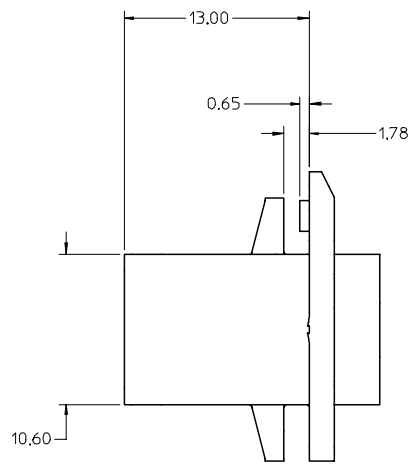
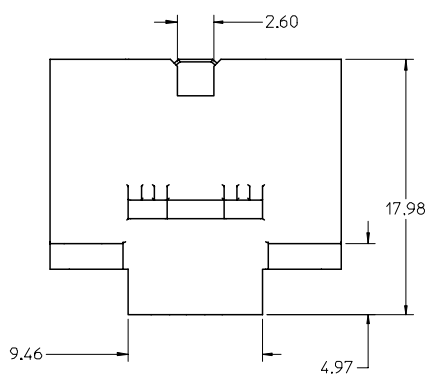
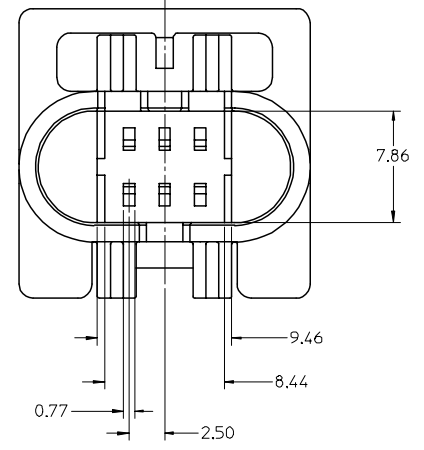
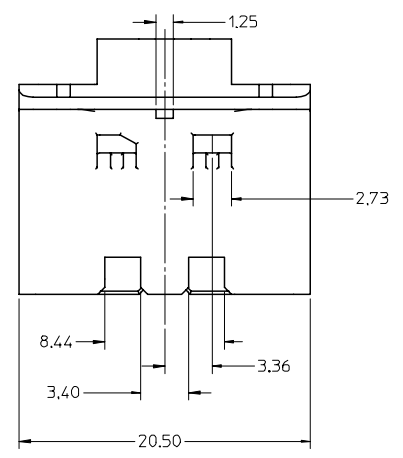
TERMINALS TO BE ORIENTED AND LOADED INTO THE HOUSING AS SHOWN BELOW



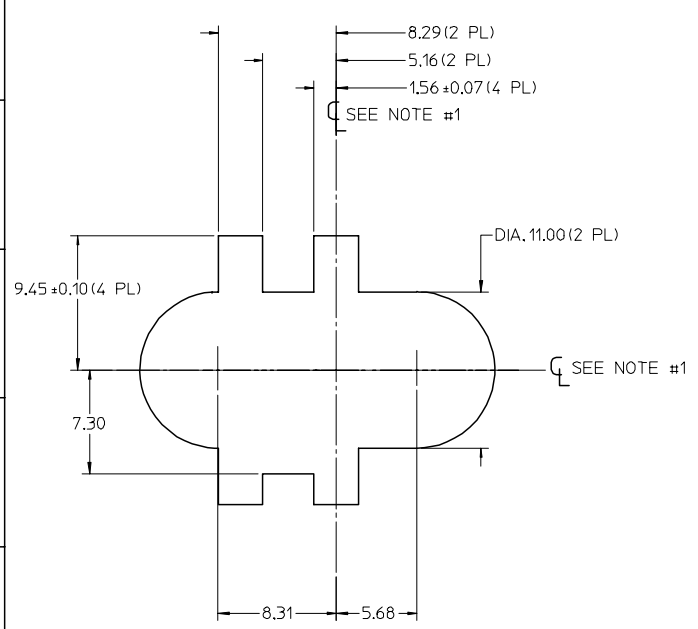
Partial1
SCALE 2:1

NOTES:

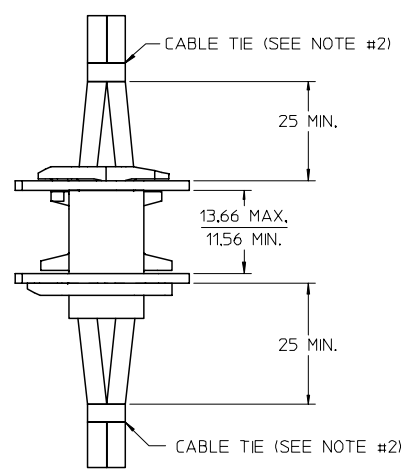
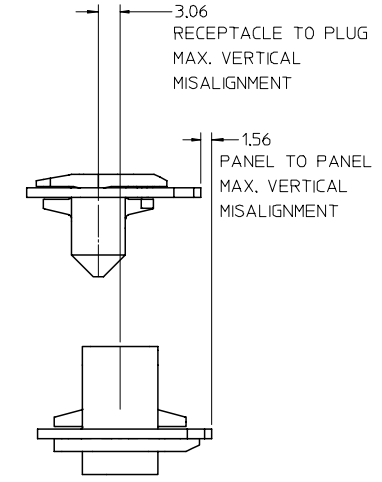
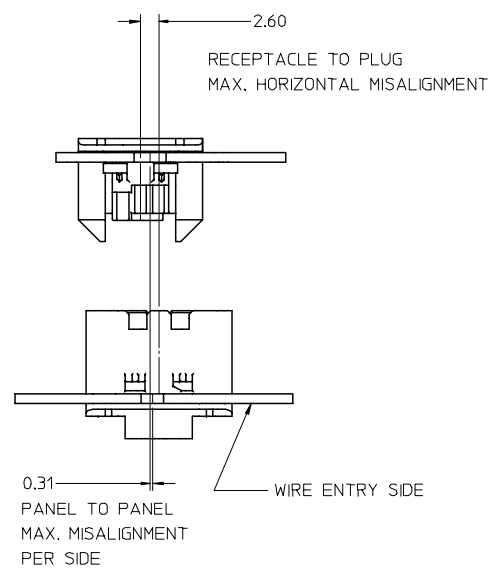
1. MATERIAL: POLYESTER, UL94V-0, COLOR: BLACK.
2. PRODUCT CONFORMS TO PRODUCT SPECIFICATION PS-45779-001.
3. USES MALE CRIMP TERMINALS SERIES 45627.
4. PART MATES WITH MOLEX RECEPTACLE SERIES 45579.
5. PACKAGING: BULK.
6. SEE PAGE 2 OF 2 FOR PANEL CUTOUT DIMENSIONS AND THE ALLOWED PANEL TO PANEL MISALIGNMENT.
7. USE MOLEX EXTRACTION TOOL 63813-1400 TO REMOVE TERMINAL WITHOUT DAMAGING THE PLUG CORE. RELOAD PLUG CORE WITH NEW TERMINAL ONLY. REMOVED TERMINAL AFTER EXTRACTION IS NOT USABLE.



EC NO: UCP2005-2128 DRWN: MCARRANZ805/04/05 CHKD: 2005/04/05 APPR: JCOMERC 2005/04/08	QUALITY SYMBOLS	GENERAL TOLERANCES (UNLESS SPECIFIED)		SCALE 4:1	DESIGN UNITS METRIC	THIRD ANGLE PROJECTION	REVISE ON CAD ONLY
	▽ -0 ◻ -0		mm	INCH	DIMENSION STYLE MM ONLY		TITLE
		4 PLACES	± ---	± ---	DRAWN BY DATE		SPOX BMI PLUG HOUSING 6 CIRCUIT REAR ENTRY PANEL MOUNT
		3 PLACES	± ---	± ---	KSTILES 10/25/2003		
2 PLACES	± 0.13	± ---	CHECKED BY DATE		MATERIAL NO. 45626-0001	DOCUMENT NO. SD-45626-001	
							SHEET NO. 1 OF 2
A2	DESCRIPTION	DRAFT WHERE APPLICABLE		APPROVED BY DATE		THIS DRAWING CONTAINS INFORMATION THAT IS PROPRIETARY TO MOLEX INCORPORATED AND SHOULD NOT BE USED WITHOUT WRITTEN PERMISSION	

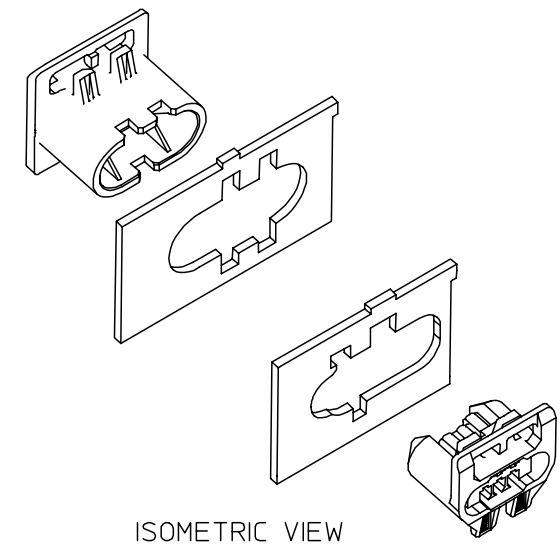


PANEL CUTOUT
WIRE ENTRY SIDE VIEW
PANEL THICKNESS 1.35mm +/-0.15



PANEL TO PANEL STACK HEIGHT

- NOTES:
1. TO CENTER 45626 PANEL CUTOUT WITH 45579 PANEL CUTOUT, ALIGN CENTERLINES WITH CENTERLINES OF THE PANEL CUTOUT IN THE DRAWING SD-45579-001.
 2. TERMINALS MUST BE ALLOWED TO FLOAT FREELY WITHIN EACH CORE DO NOT TIE WIRES TOGETHER TIGHTLY. ALLOW WIRE TO MOVE.



ISOMETRIC VIEW

EC NO: UCP2005-2128 DRWN: MCARRANZ805/04/05 CHKD: 2005/04/05 APPR: JCOMERCI 2005/04/08	QUALITY SYMBOLS	GENERAL TOLERANCES (UNLESS SPECIFIED)		SCALE 2:1	DESIGN UNITS METRIC	THIRD ANGLE PROJECTION	REVISE ON CAD ONLY	
	▽ 0 ◻ 0		mm	INCH	DIMENSION STYLE MM ONLY		TITLE	
		4 PLACES	± ---	± ---	DRAWN BY KSTILES	DATE 10/25/2003	SPOX BMI PLUG HOUSING 6 CIRCUIT REAR ENTRY PANEL MOUNT	
		3 PLACES	± ---	± ---	CHECKED BY	DATE		
	2 PLACES	± 0.13	± ---	APPROVED BY		MATERIAL NO. 45626-0001	DOCUMENT NO. SD-45626-001	SHEET NO. 2 OF 2
	1 PLACE	± 0.25	± ---	MUST REMAIN WITHIN DIMENSIONS		MOLEX INCORPORATED THIS DRAWING CONTAINS INFORMATION THAT IS PROPRIETARY TO MOLEX INCORPORATED AND SHOULD NOT BE USED WITHOUT WRITTEN PERMISSION		