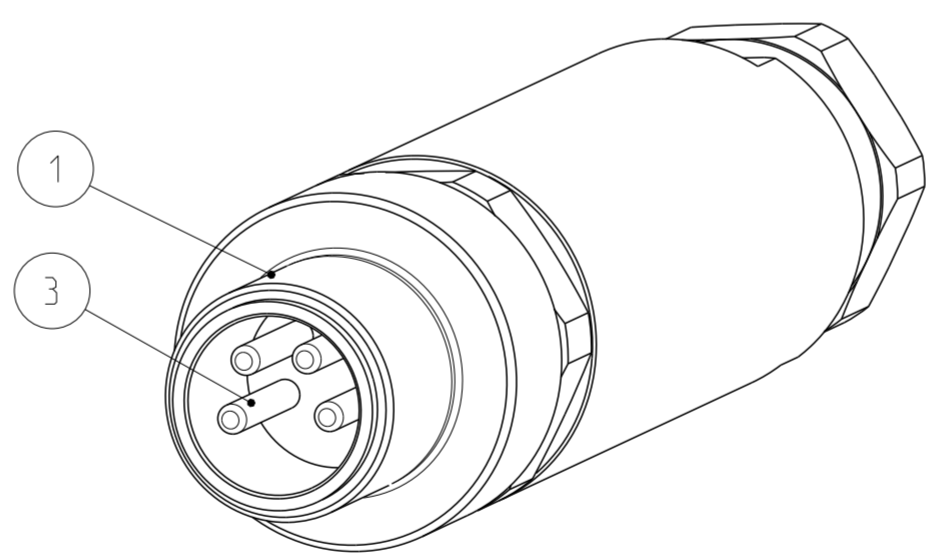
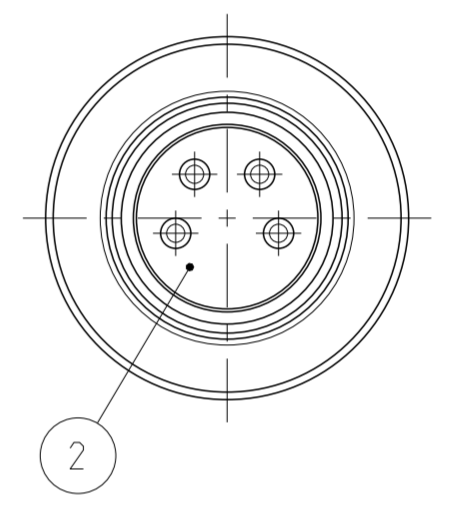
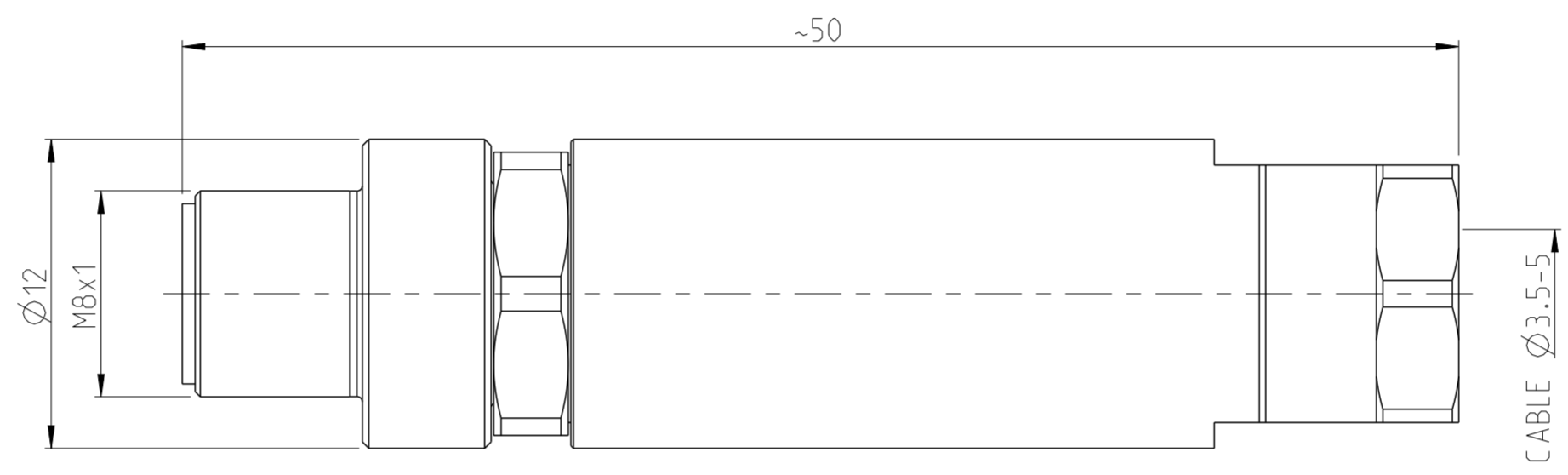


P		LTR	REVISIONS AENDERUNGEN	DESCRIPTION	DATE	DWN	APVD
	A1		NEW DRAWING		07MAY2014	YR	CS

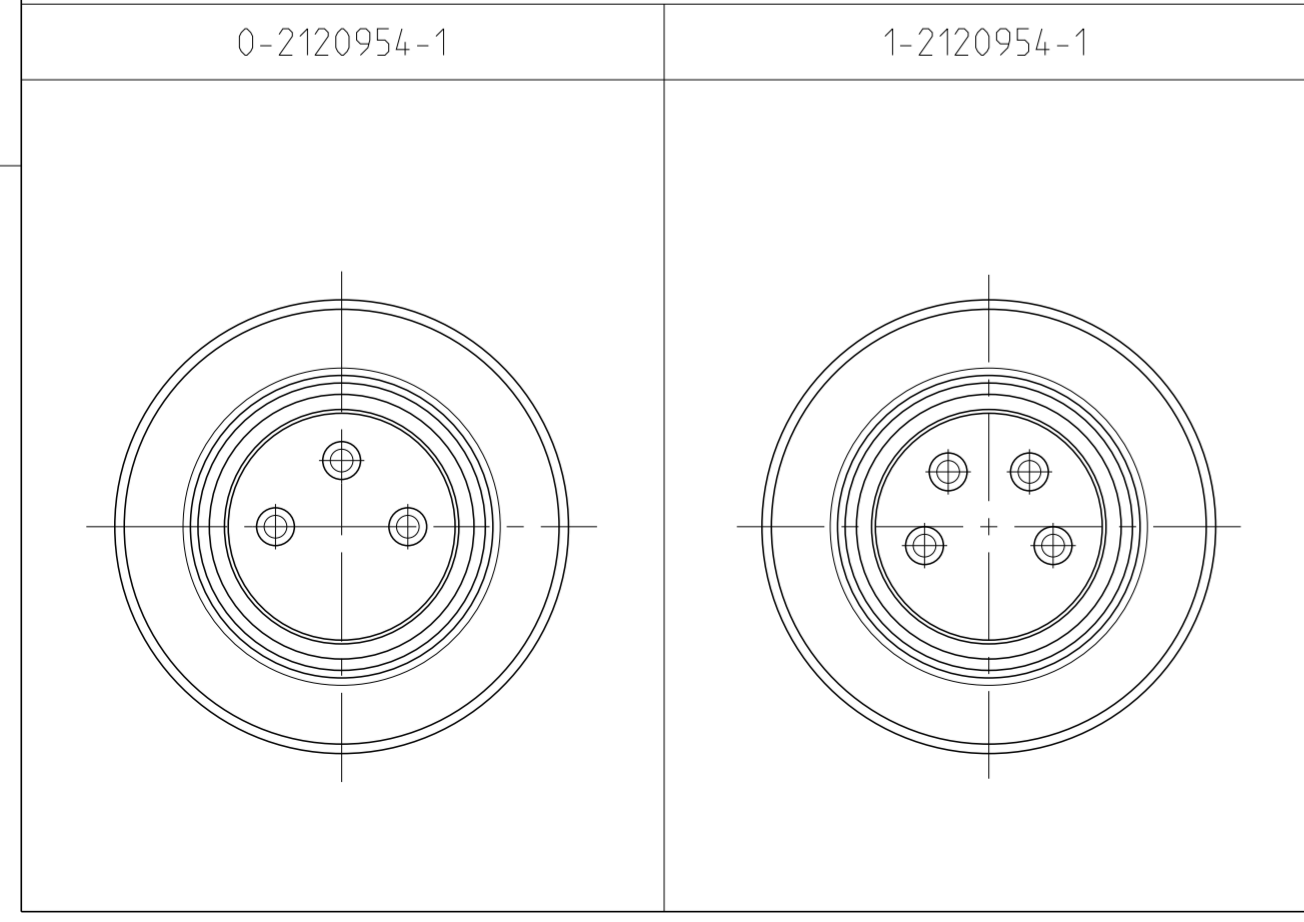
1 MATERIAL: ITEM NO. 1: HOUSING - PBT/PA
 ITEM NO. 2: CONTACT BODY - PA
 ITEM NO. 3: CONTACT - CuZn (brass)
 CONTACT FINISH - Au (gold)

- 2 ALL DIMENSIONS ARE FOR NOMINAL REFERENCE ONLY UNLESS OTHERWISE STATED
- 3 MEASUREMENT REFERENCE ONLY
- 4 PACKAGING: 1 PIECE IN A BAG

TECHNICAL DATA	0-2120954-1	1-2120954-1
RATED VOLTAGE	60V	30V
RATED IMPULSE VOLTAGE	800V	800V
POLLUTION DEGREE	3	3
OVERVOLTAGE CATEGORY	II	II
MATERIAL GROUP	III	III
RATED CURRENT	4A	4A
VOLUME RESISTIVITY	≤ 3mΩ	≤ 3mΩ
DEGREE OF PROTECTION	IP67	IP67
UPPER TEMPERATURE	+85 °C	+85 °C
LOWER TEMPERATURE	-40 °C	-40 °C



PIN ARRANGEMENT (SCALE 5:1)



1-1 AS SHOWN WIE GEZEICHNET

3.5-5	26-20 / 0,14-0,5mm ²	1	4	1-2120954-1
3.5-5	26-20 / 0,14-0,5mm ²	1	3	0-2120954-1
CABLE FEED-THROUGH mm	WIRES AWG / mm ²	MATERIAL	NUMBER OF POLES	TE-PART-NO.

DIESE ZEICHNUNG IST EIN KONTROLLIERTES DOKUMENT. BEMASSUNGEN UND TOLERANZEN GEMAESS GPS (ISO STANDARDS).

THIS DRAWING IS A CONTROLLED DOCUMENT. DIMENSIONING AND TOLERANCING PER GPS (ISO STANDARDS).

STE TE Connectivity

M8 MALE STRAIGHT, FIELD INSTALLABLE, UNSHIELDED CONNECTOR, SOLDER TERMINALS.

Customer Drawing / KUNDENZEICHNUNG

SCALE MASSSTAB 4:1 SHEET BLATT 1 OF VON 1 REV A1

SIZE ISO 14405 (E)