

- Universal AC input
- Protections: Short circuit/Over load/Over voltage
- Built-in active PFC function, PF >0.93
- LED indicator for power on
- Built-in constant current limiting circuit
- Low profile: 33mm thickness
- Fixed switching frequency at PFC: 67KHz PWM: 134KHz



Model Number	Output Volts	Output Amps	Ripple & Noise	Min Load	DC Volt Adjust	Load Reg	Efficiency
SINGLE OUTPUT							
SP75-3.3/DRL	3.3 Volts(DC)	15 Amps	80mV pk-pk	0~15Amps	3.14~3.63Volt(DC)	±1.0%	68%
SP75-5/DRL	5 Volts(DC)	15 Amps	80mV pk-pk	0~15Amps	4.75~5.5Volt(DC)	±1.0%	72%
SP75-7.5/DRL	7.5 Volts(DC)	10 Amps	80mV pk-pk	0~10Amps	7.13~8.25Volt(DC)	±1.0%	74%
SP75-12/DRL	12 Volts(DC)	6.3 Amps	80mV pk-pk	0~6.3Amps	11.4~13.2Volt(DC)	±0.5%	77%
SP75-13.5/DRL	13.5 Volts(DC)	5.6 Amps	80mV pk-pk	0~5.6Amps	12.8~14.9Volt(DC)	±0.5%	78%
SP75-15/DRL	15 Volts(DC)	5.0 Amps	80mV pk-pk	0~5.0Amps	14.3~16.5Volt(DC)	±0.5%	79%
SP75-24/DRL	24 Volts(DC)	3.2Amps	100mV pk-pk	0~3.2Amps	22.8~26.4Volt(DC)	±0.5%	80%
SP75-27/DRL	27 Volts(DC)	2.8 Amps	100mV pk-pk	0~2.8Amps	25.7~29.7Volt(DC)	±0.5%	80%
SP75-48/DRL	48 Volts(DC)	1.6 Amps	100mV pk-pk	0~1.6Amps	45.6~52.8Volt(DC)	±0.5%	80%

75W Single Output with PFC Function

SP75/DRL series

INPUT SPECIFICATIONS

Input Voltage Range (Note 3)	90 ~ 264VAC 120~370 Volts(DC)
Frequency Range	47-63 Hz
Inrush Current, typ: (cold start)	30Amps / 230VAC
Input Current	1.3 Amps. @ 115VAC
	0.7 Amps. @ 230VAC
Leakage current	< 2mAmps / 240VAC
Min Load	See Selection Chart
Power Factor @ FL	PF> 0.93 / 230VAC
	> 0.96 / 115VAC

OUTPUT SPECIFICATIONS

Voltage and Current	See Selection Chart
Line Regulation	±0.5%
Load Regulation	See Selection Chart
Voltage Tolerance (Note 2)	±2.0%: 3.3~15Volts(DC)
	±1.0%: 24~48Volts(DC)
Ripple/Noise (Note 1)	See Selection Chart
Hold Up Time	36mS @ FL
Setup, Rise Time	600ms, 60m @ FL
Over Voltage Protection	3.8 ~ 4.46Volt(DC): 3.3Volts(DC)
	5.75 ~ 6.75Volt(DC): 5Volts(DC)
	8.63 ~ 10.13Volt(DC): 7.5Volts(DC)
	13.8 ~ 16.2Volt(DC): 12Volts(DC)
	15.53 ~ 18.23Volt(DC): 13.5Volts(DC)
	17.25 ~ 20.25Volt(DC): 15Volts(DC)
	27.6 ~ 32.4Volt(DC): 24Volts(DC)
	31.05 ~ 36.45Volt(DC): 27Volts(DC)
	55.2 ~ 64.8Volt(DC): 48Volts(DC)
	Shut down o/p voltage, re-power
Over Current Protection	105 ~ 150% rated output power
	Constant current limiting, auto-recover
DC Volt Adjust	See Selection Chart

GENERAL SPECIFICATIONS

Safety	UL60950-1, TUV EN60950-1 Approved
Insulation Resistance	≥ 100MΩ / 500Volts(DC)
EMI	Compliance to EN55022 (CISPR22) Class B
Harmonic Current	Compliance to EN61000-3-2,-3
Efficiency	See Selection Chart
Isolation	3000VAC Input - Output
	1500VAC Input - Ground
	500VAC Output - Ground
EMS	Compliance to EN61000-4-2, 3, 4, 5, 6, 8, 11; ENV50204, EN55024, light Industry Level, Criteria A

ENVIRONMENTAL SPECIFICATIONS

Oper. Temperature	-10°C to +60°C (See Derate Curve)
Storage Temperature	-20°C to +85°C, 10~95% RH
Relative Humidity	20~90% RH non cond
Temperature Coefficient	±0.05% / °C (0-50°C)
MTBF	208.8KHrs min, MIL-HDBK-217F(25°C)
Vibration	10~500Hz, 2G10min./1cycle, period for 60min. each along X, Y, Z axes

PHYSICAL SPECIFICATIONS

Size	
Millimeters	179 x 97 x 33
Inches	7.05" x 3.82" x 1.30"
Weight	20.46 oz (580g)

NOTE

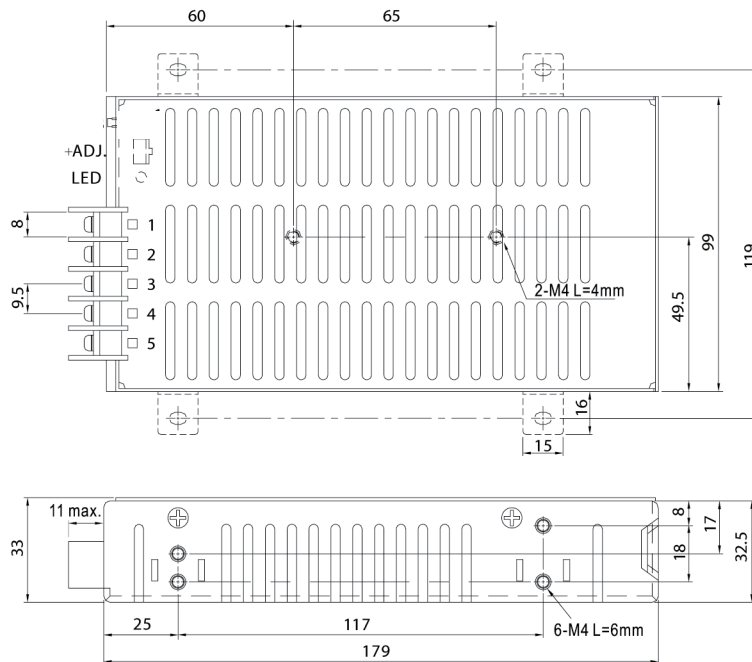
1. Ripple & noise are measured at 20MHz of bandwidth by using a 12" twisted pair-wire terminated with a 0.1uf & 47uf parallel capacitor.
2. Tolerance : includes set up tolerance, line regulation and load regulation.
3. Derating may be needed under low input voltages. Please check the derating curve for more details.

All specifications are typical at nominal input, full load, and 25°C unless otherwise noted

75W Single Output with PFC Function

Mechanical Specification

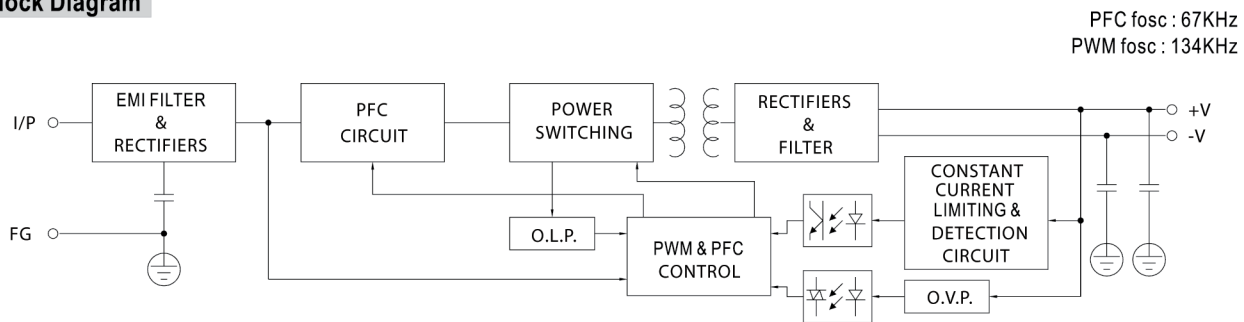
Case No. 920A Unit:mm



Terminal Pin No. Assignment

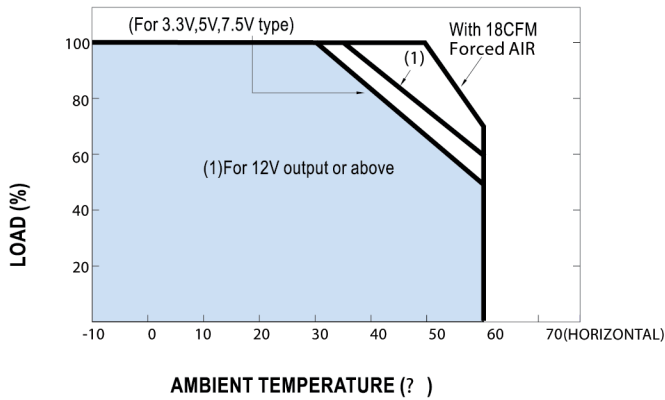
Pin No.	Assignment	Pin No.	Assignment
1	DC OUTPUT +V	4	AC/N
2	DC OUTPUT -V	5	AC/L
3	FG \perp		

Block Diagram



75W Single Output with PFC Function

■ Derating Curve



■ Output Derating VS Input Voltage

