

1

2

3

4

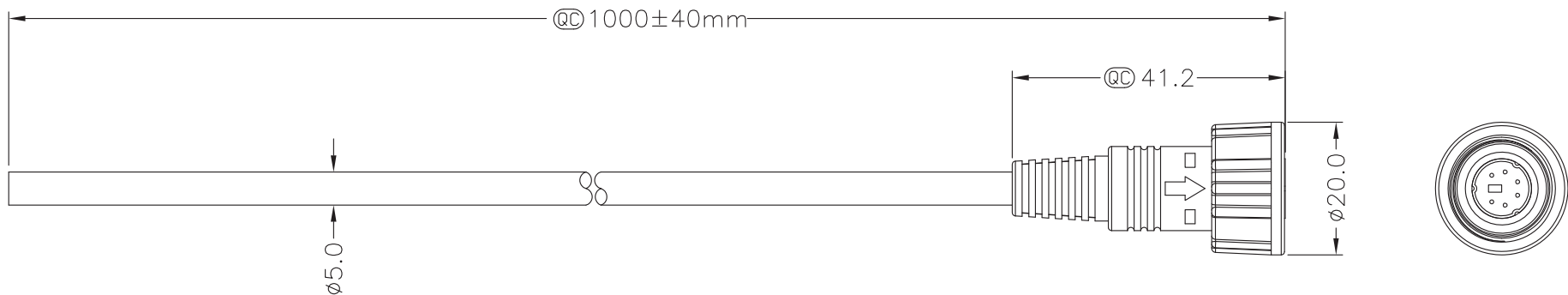
5

6

7

A

A



B

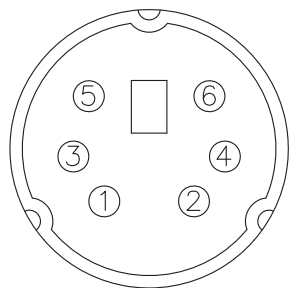
B

C

C

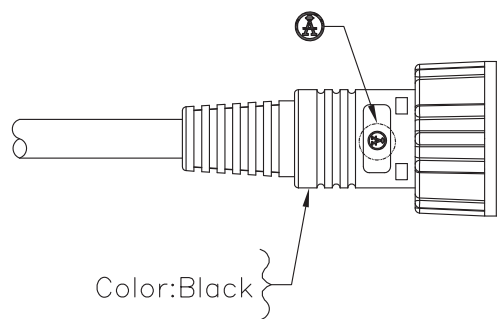
D

D



Pin Assignments
Front View

Drain	Shield
Green	6
Yellow	5
Orange	4
Black	3
Brown	2
Red	1
Wire Color	Conn.
Pin Out	

**Material:**

- Connector: Mini DIN plug
- Cable: UL2464 26AWG*6C+D+T
- Black, OD=5.0mm

E

E

F

F

G

G

Unit: mm



Scale	1:1						Date	Name	Title Waterproof Mini DIN connector Female conn./Male pin, 6 pin, 1M cable
TOLERANCE							Drawn	01.12.11	
X.X	±0.40						Approved		
X.XX	±0.25								
X.XXX	±0.15								
DIM	TOL								Drawing-No.
X.°	±3°								
X.X°	±X°								
Angle	TOL	Id.	Modification	Date	Name				Replace

ASSMANN
WSW components

1840 W. Drake Drive, Suite 101 • Tempe, AZ 85283
Toll Free: 1-877-277-6266 • Email: info@assmann.us

ASSMANN WSW-No.
A-KMD-06AFMM-WP

rev00

Replace

Sheet
1/1

H

H

1

2

3

4

5

6

7