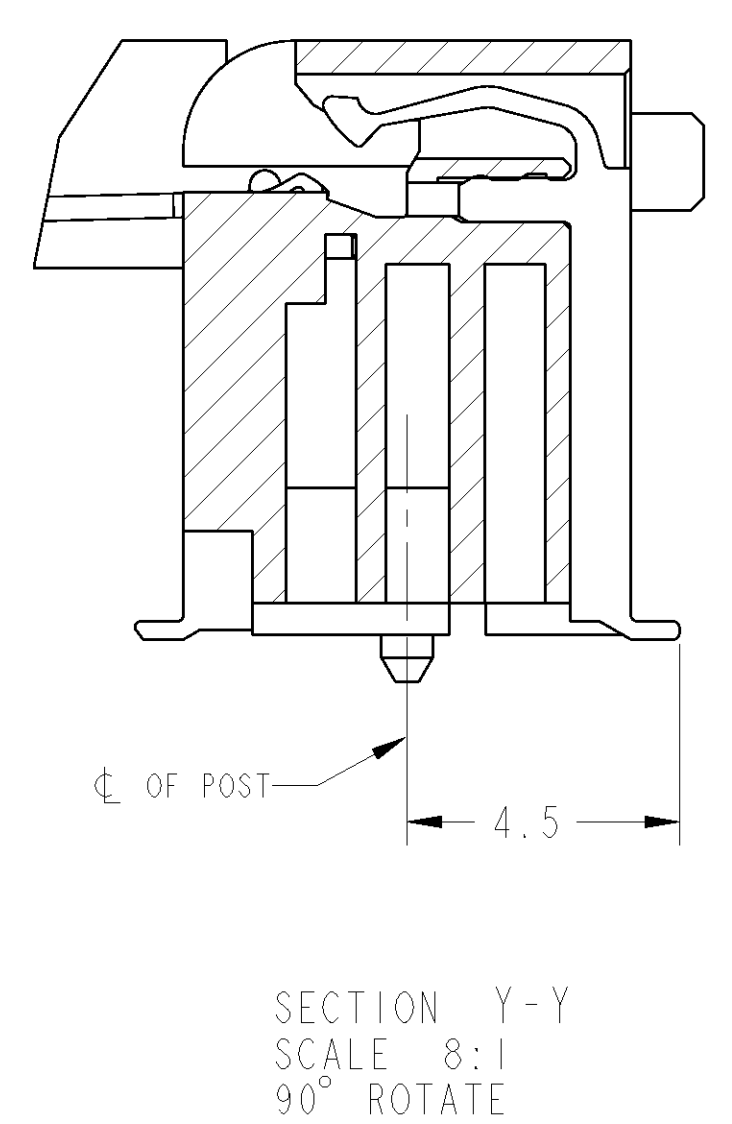
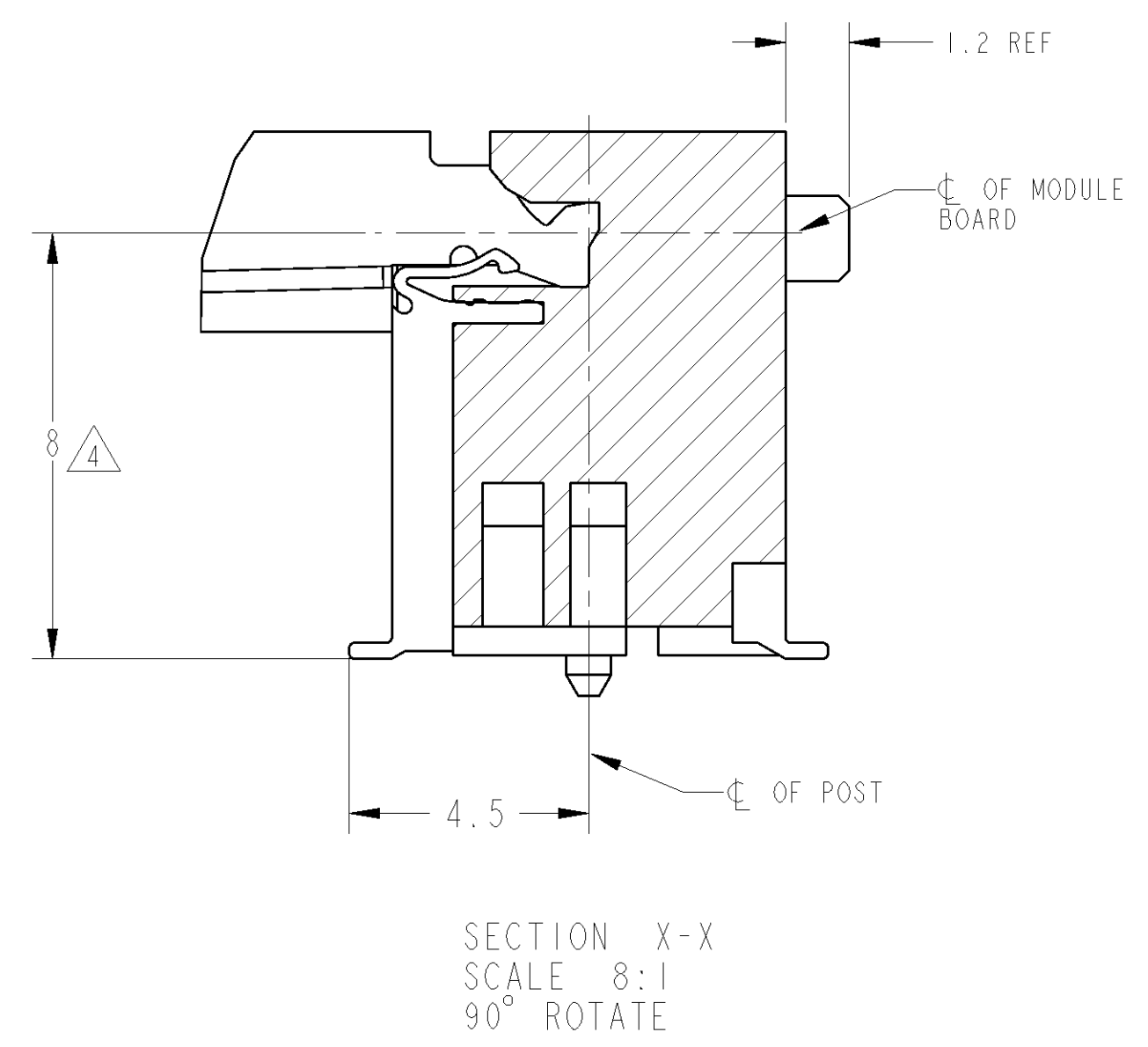
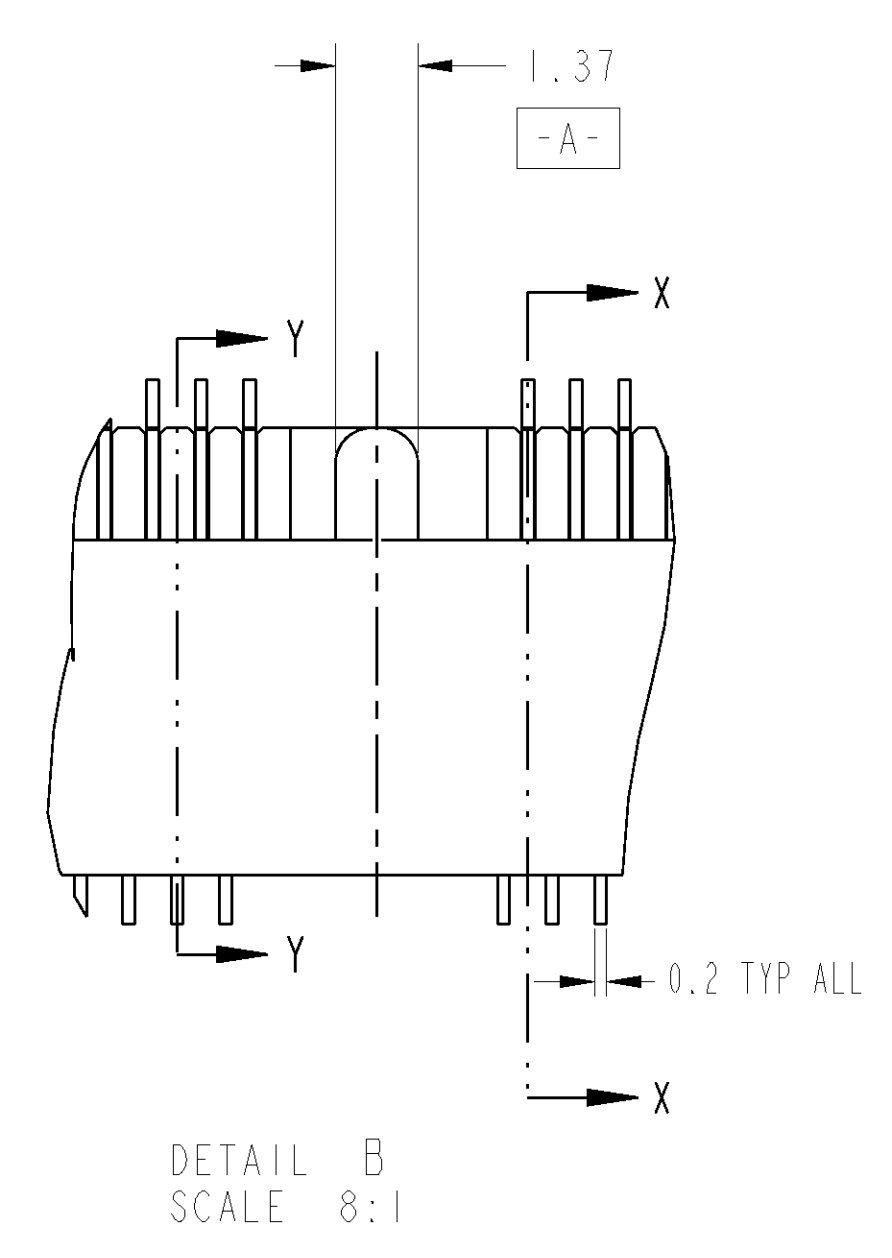
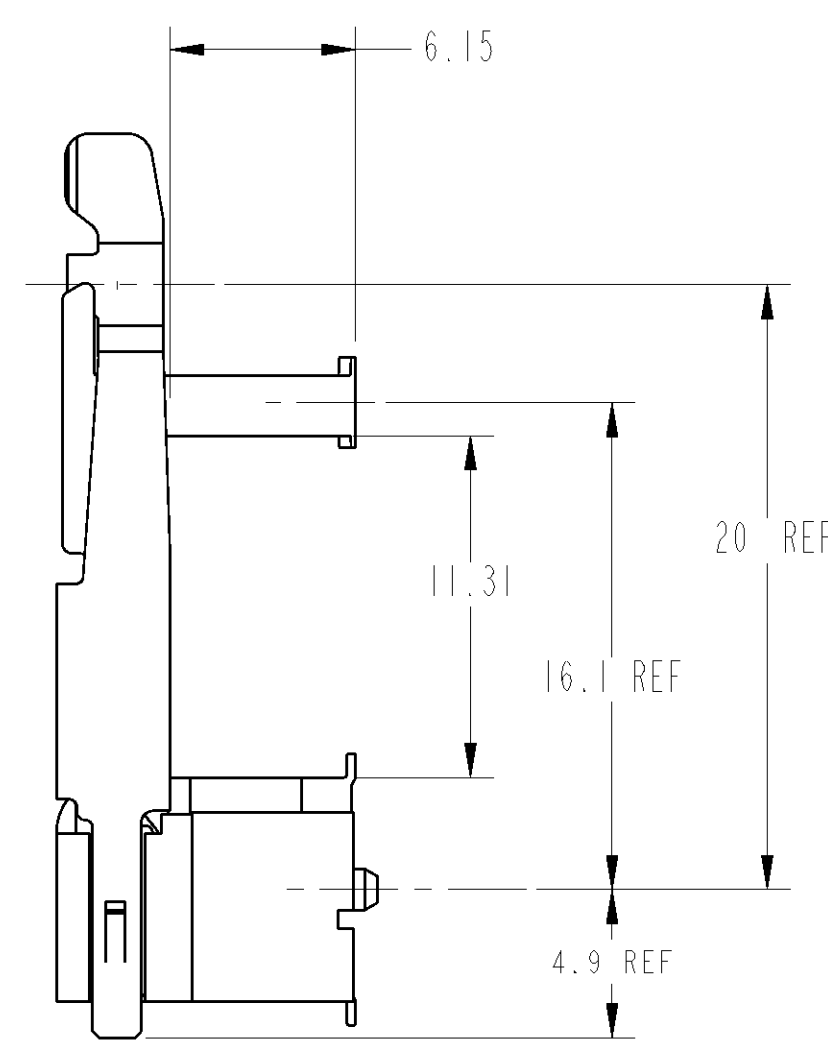
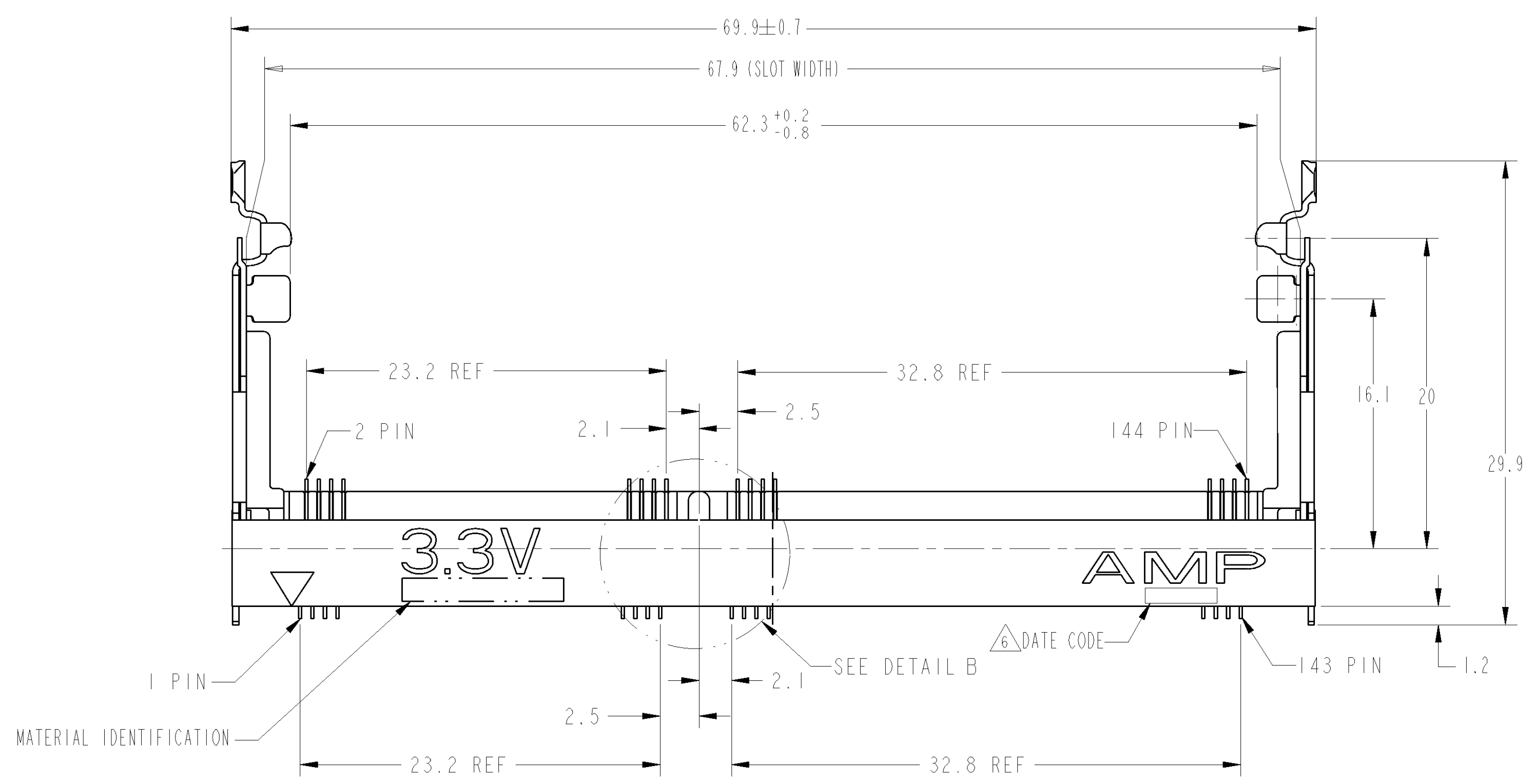
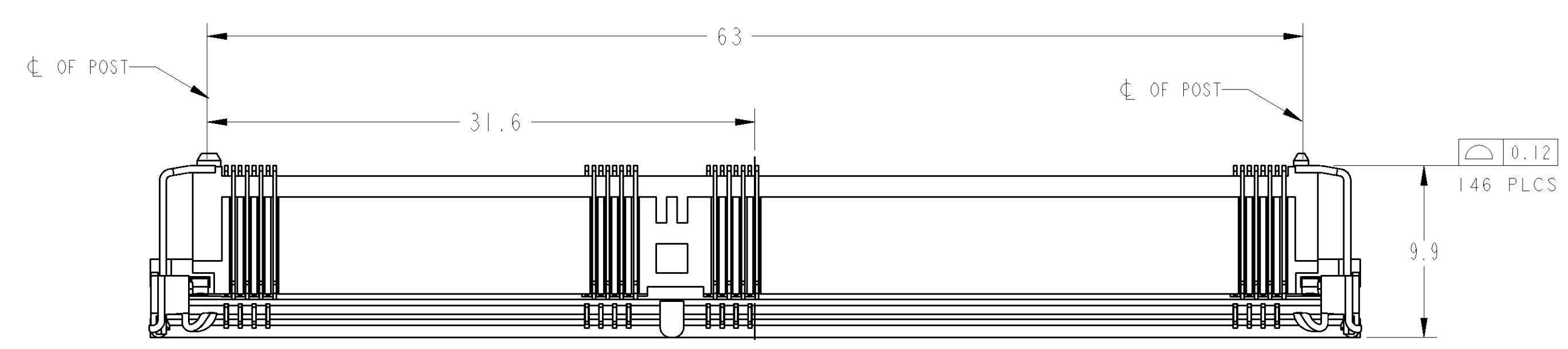


LOC	DIST	REVISIONS			
F	LTR	DESCRIPTION	DATE	DMN	APFD
L1		REVISED PER ECO-11-005139	19MAR11	RK	HMR

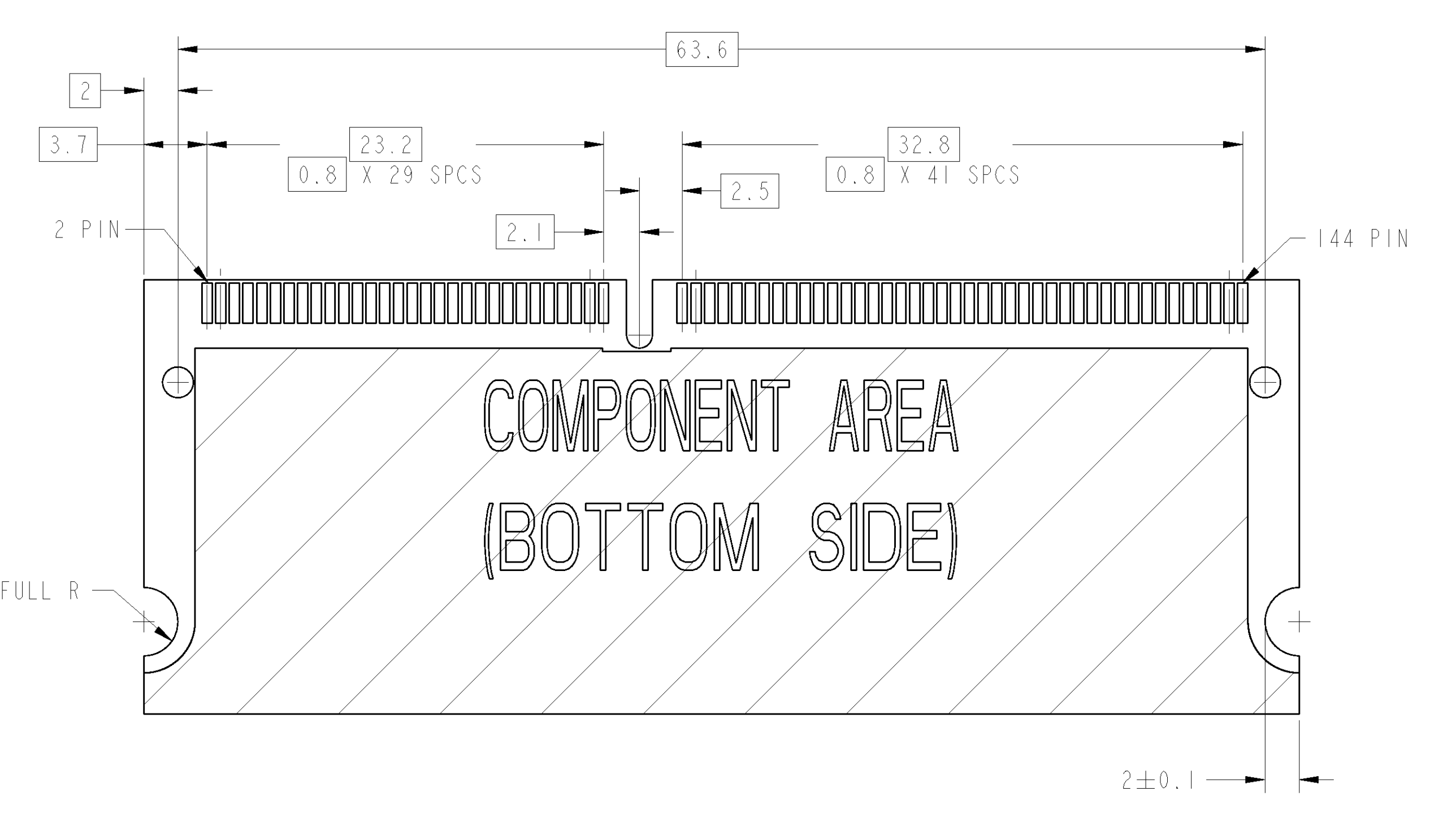
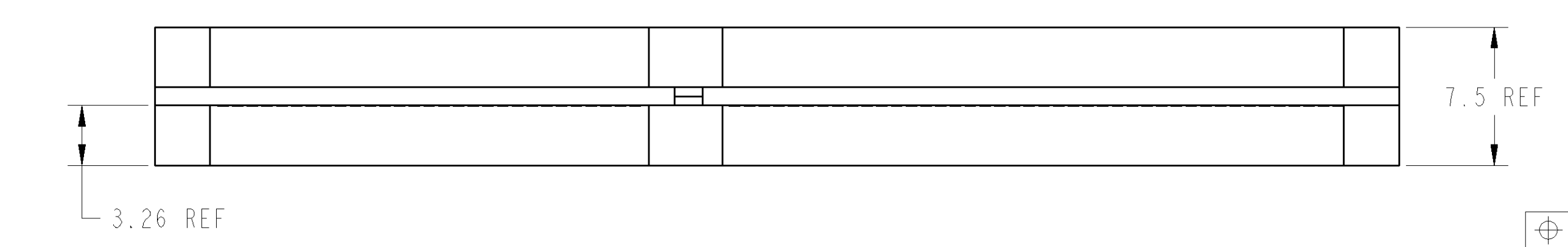
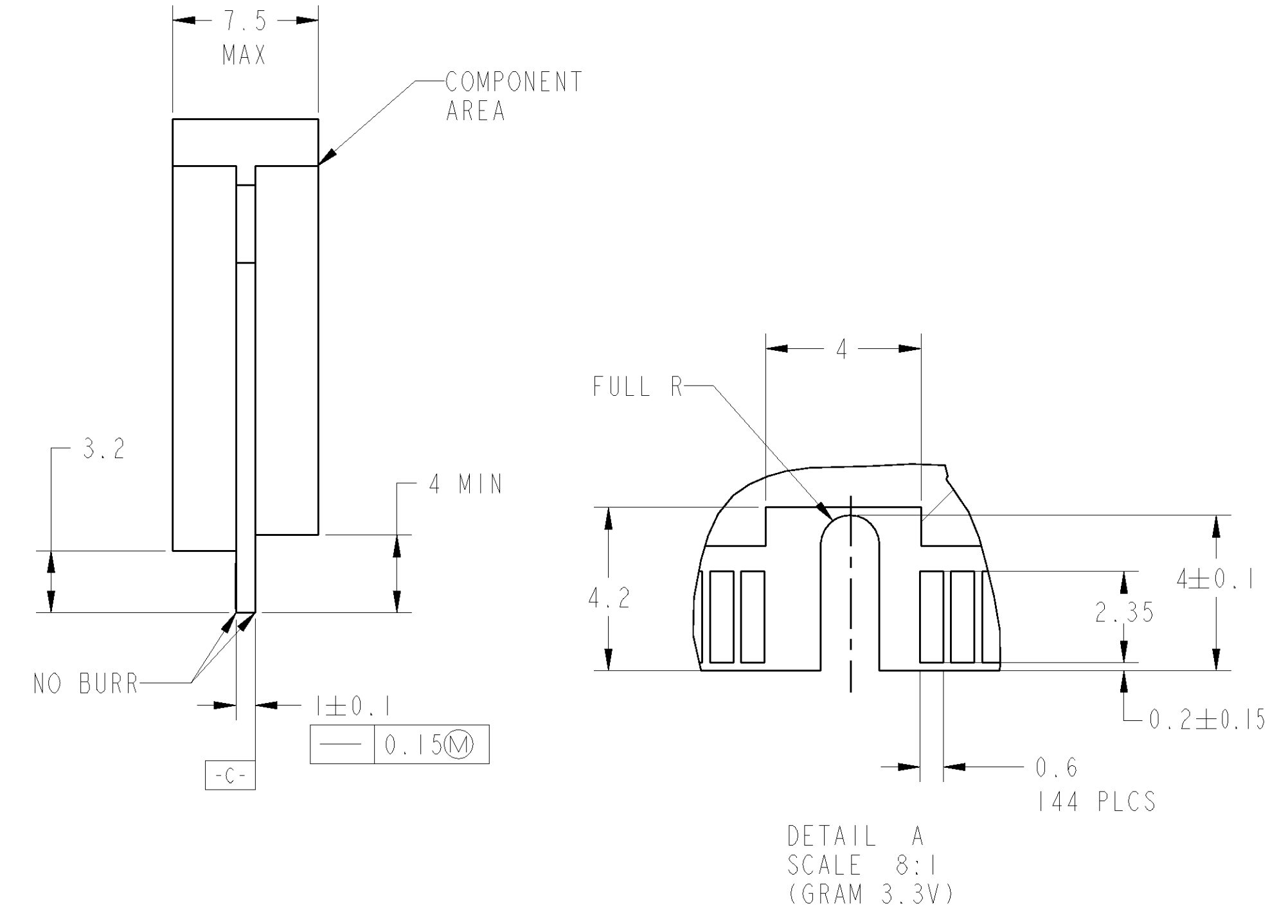
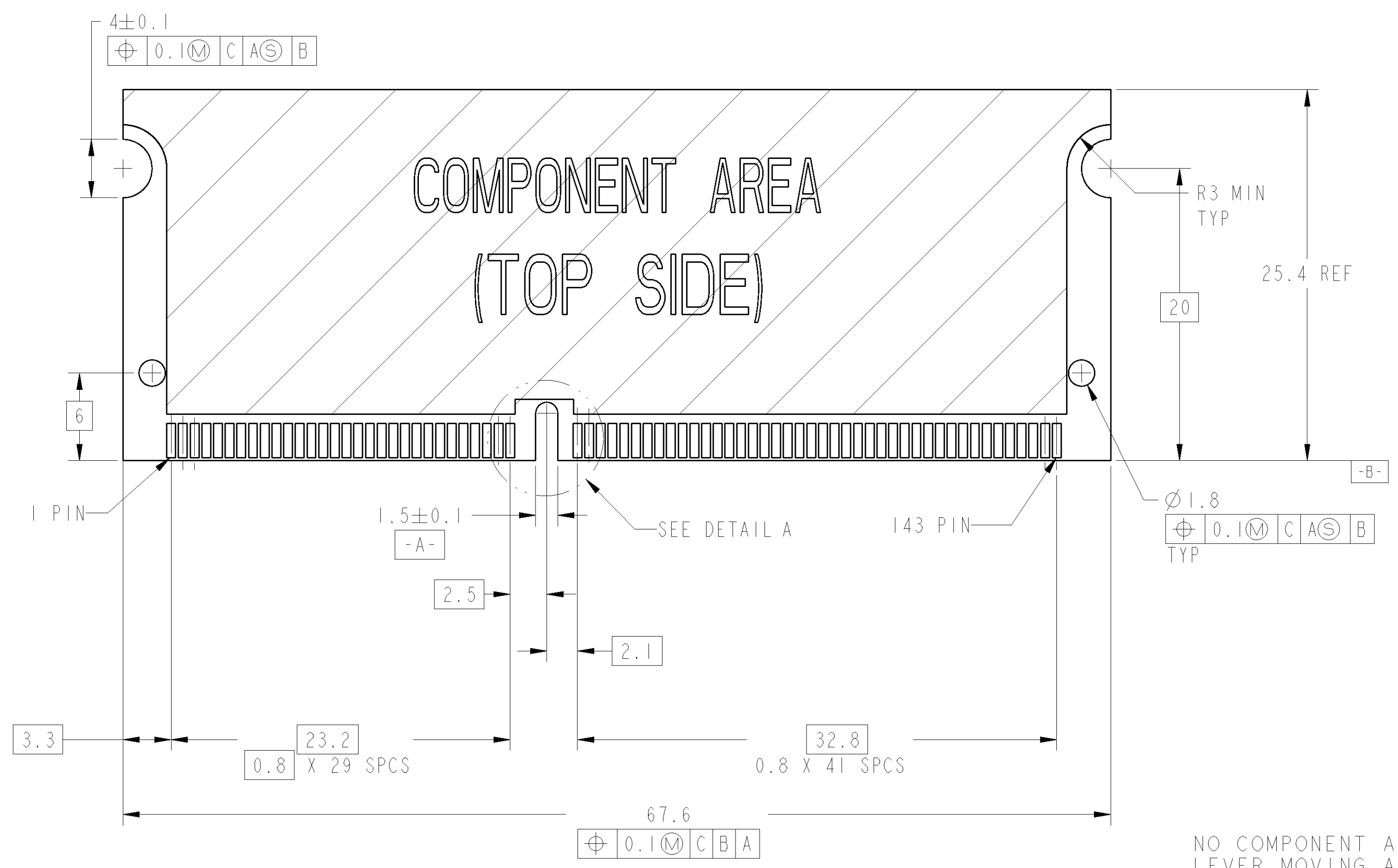


- 1 MATERIAL, HOUSING, HIGH TEMP. PLASTIC, UL94V-0
CONTACT: COPPER ALLOY
LOCK LEVER: SUS301 TIN PLATING.
- 2 FINISH; CONTACT AREA: 0.00025 MIN GOLD PLT ON
0.001 MIN ALL OVER NICKEL
SOLDERING AREA: 0.00005 MIN TO 0.00030 MAX GOLD PLATE
- 3. TOLERANCES NON-ACCUMULATIVE.
- 4 DIMENSIONING TO MODULE CENTER LINE.
- 5 PART PACKAGING PER EIA-IS-704 STANDARD REEL
DIAMETER SHALL BE 330mm. TAPE WIDTH SHALL
BE 88mm AND TAPE PITCH SHALL BE 36mm
- 6 DATE CODE (4-DIGITS), LOCATED AS SHOWN.
TO BE INTERPRETED AS FOLLOWS:
DIGIT # 1 - LAST DIGIT OF YEAR.
DIGITS # 2 AND # 3 - CALENDAR WEEK.
DIGIT # 4 - DAY OF THE WEEK (WITH SUNDAYS AS DAY 1).

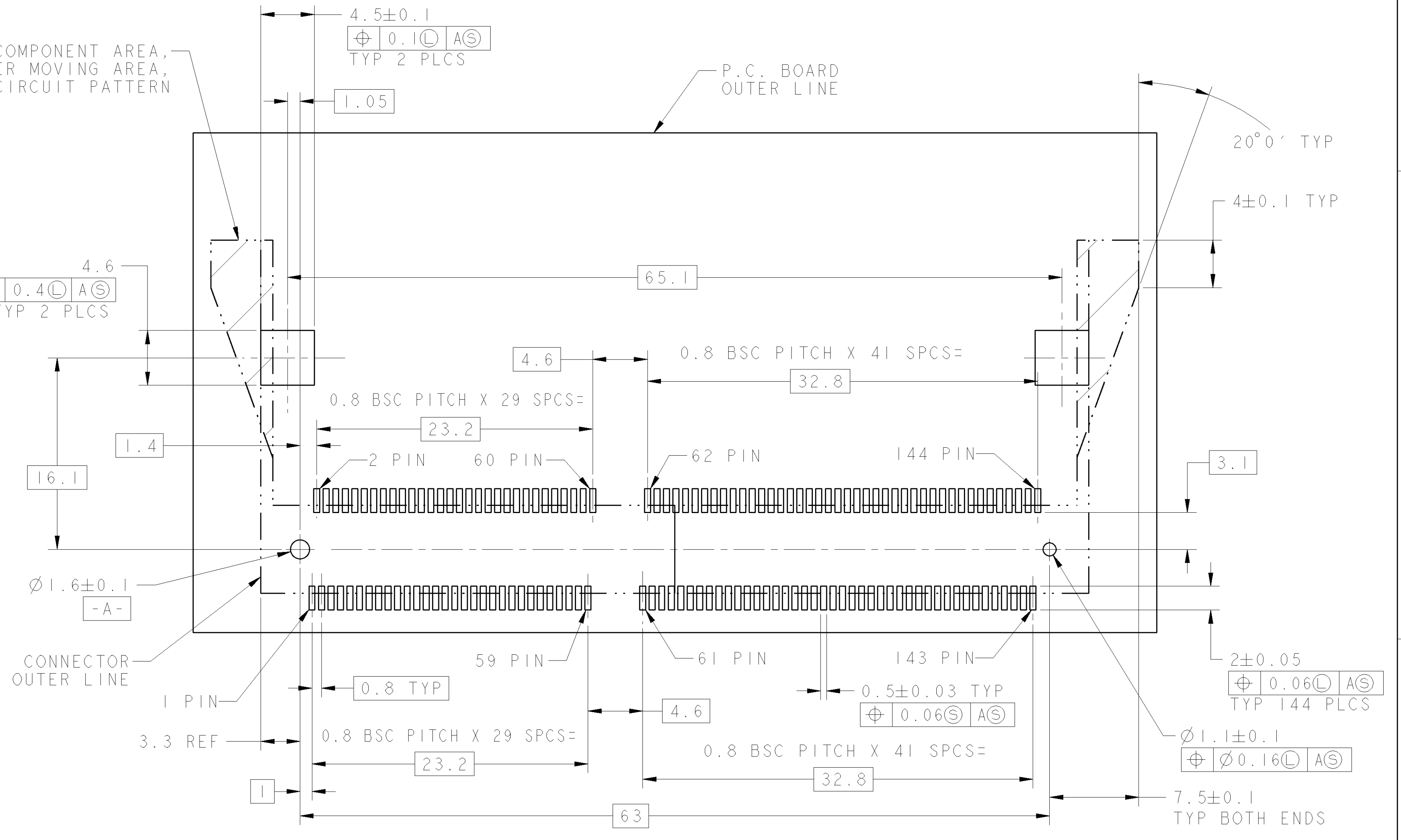
AVAILABLE	SDRAM 3.3V	144	6-390322-1	5
AVAILABLE	SDRAM 3.3V	144	390322-1	
REMARKS	POWER SUPPLY	POS	PART NUMBER	

DIMENSIONS:		TOLERANCES UNLESS OTHERWISE SPECIFIED:		DRAWN: J. BURWELL 8NOV99		CHK: K. KREIDLER 22JUL99		APFD: SE LEONG		NAME: S.O.DIMM SOCKET ASSY., 0.8mm PITCH	
mm	0 PLC	±		PRODUCT SPEC	108-1739-1	SIZE	A1	CAGE CODE	00779	DRAWING NO	C=390322
	1 PLC	±0.2		APPLICATION SPEC	114-1114	WEIGHT		CUSTOMER DRAWING		SCALE	4:1
	2 PLC	±0.2		ANGLES						SHEET	1 OF 2
	3 PLC	±0.2								REV	L1
	4 PLC	±									

LOC	DIST	REVISIONS			
DATE	BY	DESCRIPTION	DATE	BY	APPD
01	01	SEE SHEET 1	-	-	-



NO COMPONENT AREA, LEVER MOVING AREA, ACCEPT CIRCUIT PATTERN



DIMENSIONS: mm		TOLERANCES UNLESS OTHERWISE SPECIFIED:		DRAWN: J. BURWELL 01FEB01		CHK: K. KREIDLER 23JUL99		APD: S. LEONG		NAME: S.O.DIMM SOCKET ASSY., 0.8mm PITCH 144 POS., 8mm PROFILE FOR SDRAM TYPE MODULE	
0 PLC ±		1 PLC ±0.2		2 PLC ±0.2		3 PLC ±0.2		4 PLC ±		SIZE: A1	
MATERIAL: -		FINISH: -		WEIGHT: -		CAGE CODE: 114-1114		DRAWING NO: 00779		SCALE: 4:1	
CUSTOMER DRAWING		SCALE: 4:1		SHEET: 2 OF 2		REV: L1		DRAWING NO: C=390322		REV: -	