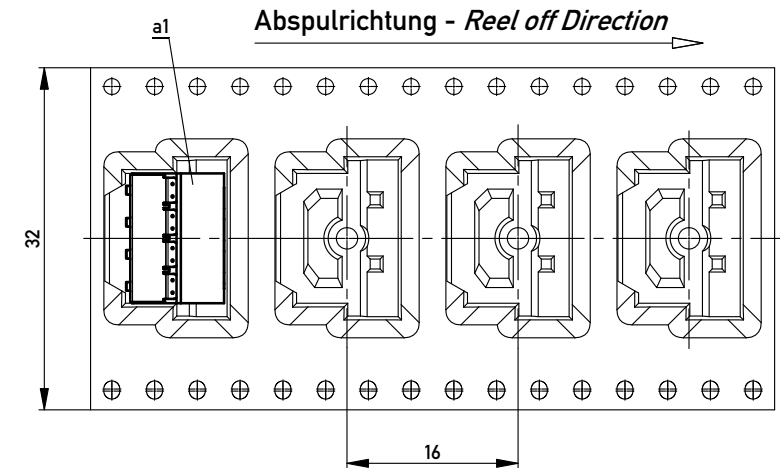
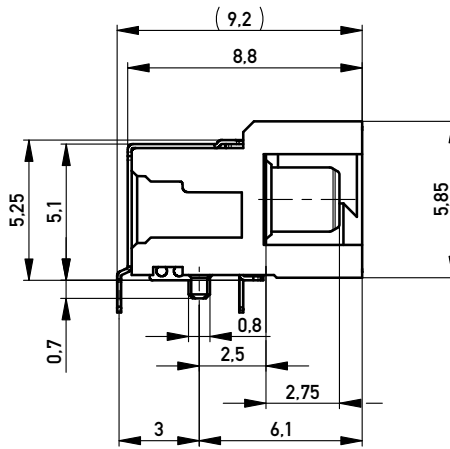
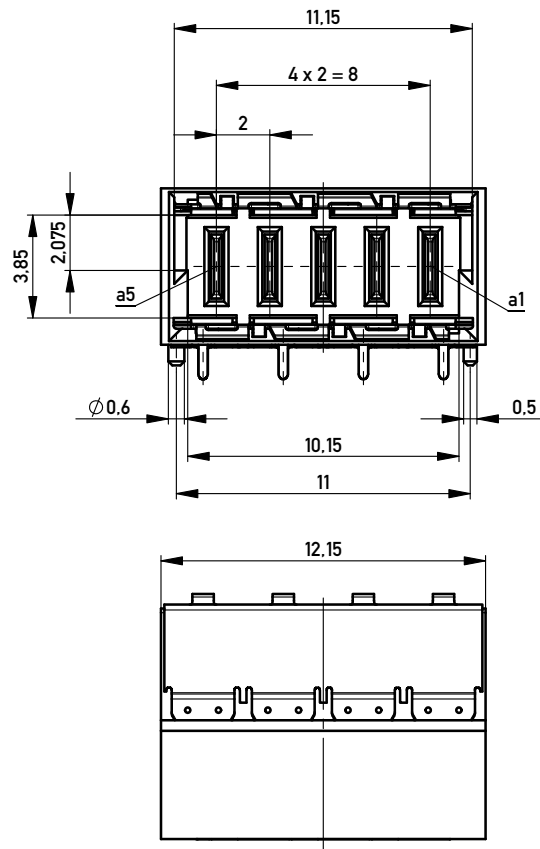
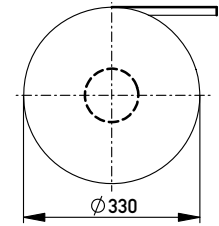
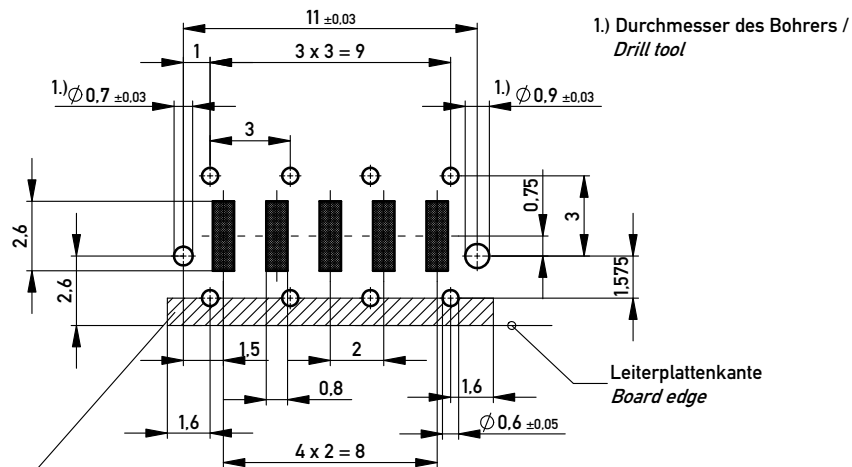


Verpackt in Gurtverpackung
 Tape on Reel Packaging
 Verpackungseinheit: 400 Stück
 Packaging unit: 400 pcs



Leiterplatten-Layout Vorschlag / PCB-Layout Proposal



1.) Durchmesser des Bohrers /
 Drill tool

Schirmblechauflagefläche berücksichtigen.
 keine Durchkontaktierungen oder Leitungen möglich!
 Consider shielding contact area. no vias or traces possible!

Anforderungsstufe 1
 Performance Level 1

Kontaktbereich vergoldet
 Mating Area gold plating

Anschlussbereich verzinkt 4-6 µm
 Terminal Area 4-6 µm tin plating

Koplanarität der Anschlüsse ≤ 0,1 mm
 Coplanarity Area of Termination ≤ 0,1 mm

Information:		Tolerances		Scale	5:1
All rights reserved. Only for Information. To ensure that this is the latest version of this drawing, please contact one of the ERNI companies before using.		All Dimensions in mm		Designation	
Subject to modification without prior notice. Drawing will not be updated.				MSpeed Messerl. 90° PM SMD/THR MSpeed male 90° PM SMD/THR	
www.ERNI.com		364706		I A3	
c	16.04.2013	Class		MSPPM	
Index	Date				

Copyright by ERNI GmbH. Proprietary notice pursuant to ISO 9006 to be observed.