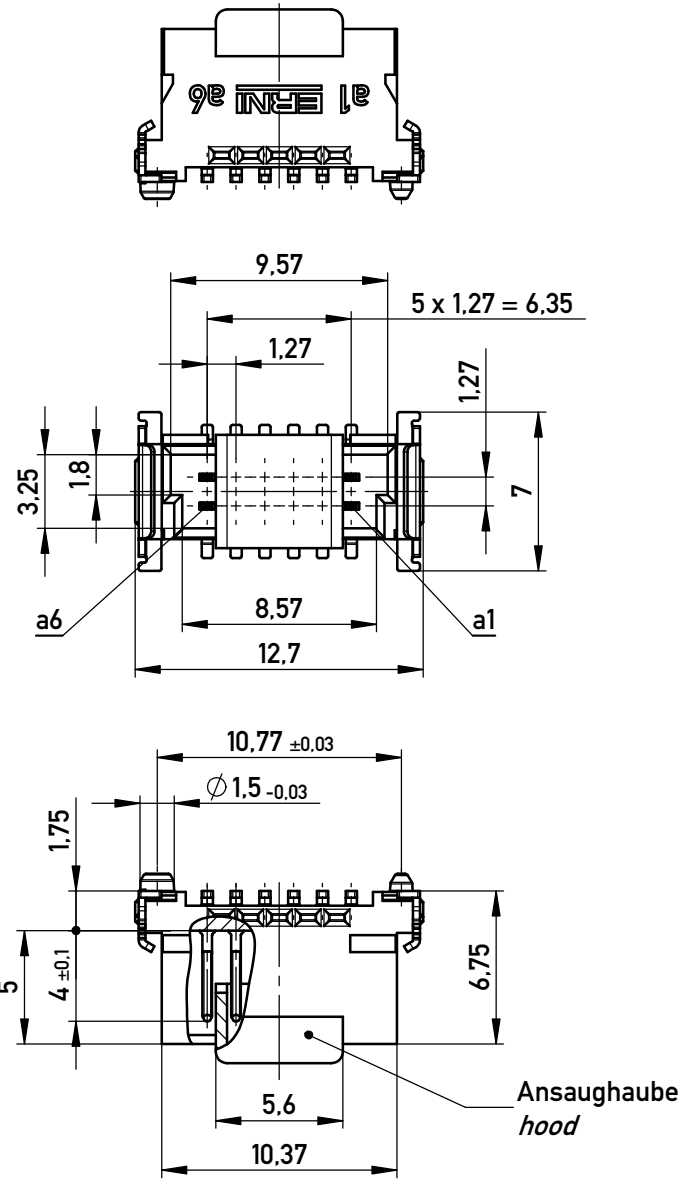


Verpackt im Gurt nach DIN IEC 60286-3  
 Tape on Reel Packaging according to DIN IEC 60286-3  
 Verpackungseinheit: 280 Stück  
 Packaging unit: 280 pcs

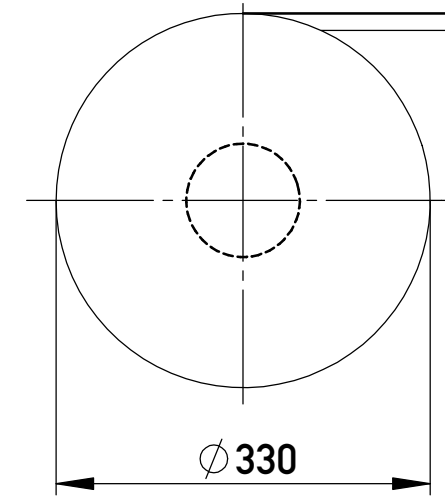


Anforderungsstufe 1  
 Performance Level 1

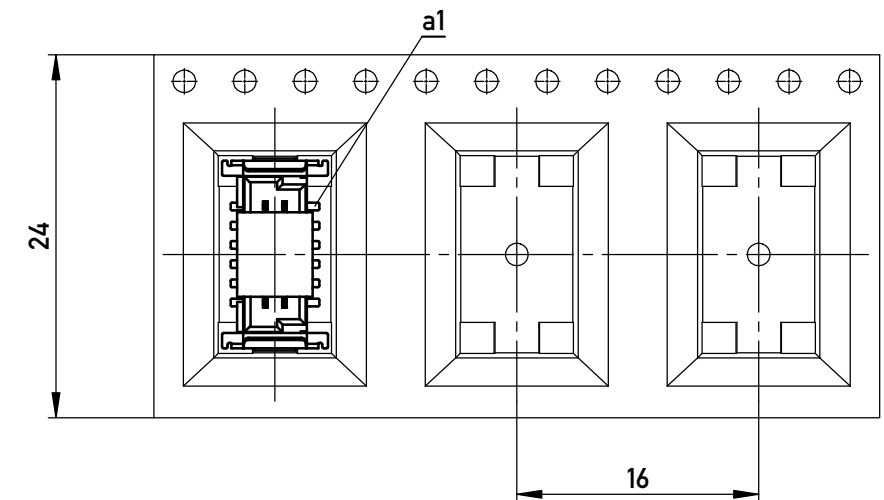
Kontaktbereich vergoldet  
 Mating Area gold plating

Anschlussbereich verzinkt 4-6 µm  
 Terminal Area 4-6 µm tin plating

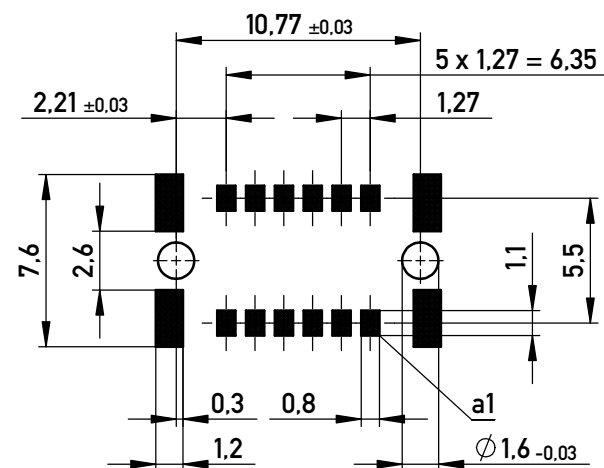
Koplanarität der Anschlüsse ≤ 0,1 mm  
 Coplanarity Area of Termination ≤ 0,1 mm



Abspulrichtung - Reel off Direction



Leiterplatten-Layout Vorschlag für SMT  
 PCB-Layout Proposal for SMT



BA 8-13 - 8mm Bauhöhe  
 type 8-13 - Low Profile

Information:		Tolerances	 All Dimensions in mm	Scale 3:1	
All rights reserved. Only for Information. To ensure that this is the latest version of this drawing, please contact one of the ERNI companies before using.		Subject to modification without prior notice. Drawing will not be updated.		Designation <b>Messerl. SMC-Q 12-SMD-BA8-13</b> <b>Male SMC-Q 12-SMD-type8-13</b>	
 www.ERNI.com		<b>100103440002</b>		K	A3
d	25.02.2014	Class		SMCQ	
Index	Date				

Copyright by ERNI GmbH  
 Proprietary notice pursuant to ISO 16016 to be observed.