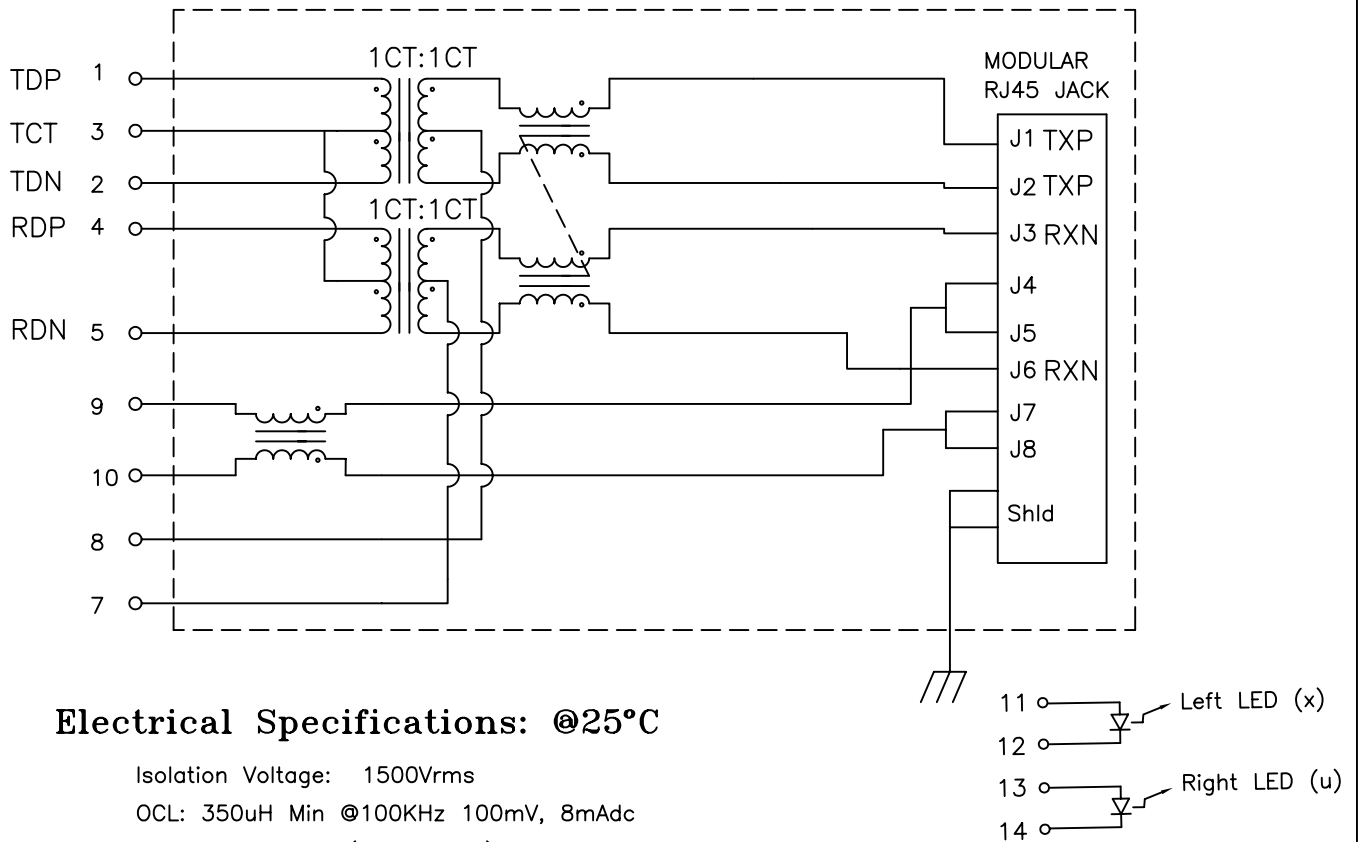


# Schematic:



## Electrical Specifications: @25°C

Isolation Voltage: 1500Vrms

OCL: 350uH Min @100KHz 100mV, 8mAdc

TX TURNS RATIO: (CHIP:CABLE)=1:1±3%

Insertion Loss : -1.0dB Max. @0.300MHz-0.999MHz      -0.3dB Max. @1.0MHz-15.0MHz  
 -0.6dB Max. @15.1MHz-60.0MHz  
 -1.1dB Max @60.1MHz-80.0MHz,80.1MHz-100.0MHz

Return Loss: -18dB Min. @0.300MHz-0.999MHz,1.0MHz-15.0MHz,15.1MHz-60.0MHz  
 -15dB Min. @60.1MHz-80.0MHz  
 -12dB Min. @80.1MHz-100.0MHz

Crosstalk Attenuation: -43dB Min. @0.300MHz-0.999MHz,1.0MHz-15.0MHz,15.1MHz-60.0MHz  
 -38dB Min. @60.1MHz-80.0MHz,80.1MHz-100.0MHz  
 -46dB Min. @0.300MHz-0.999MHz,1.0MHz-15.0MHz,15.1MHz-60.0MHz

CMRR: TX -42dB Min. @60.1MHz-80.0MHz,80.1MHz-100.0MHz  
 -35dB Min. @0.300MHz-0.999MHz,1.0MHz-15.0MHz,15.1MHz-60.0MHz

RX -33dB Min. @60.1MHz-80.0MHz,80.1MHz-100.0MHz

Rated Current: 350mAdc Pins 7,8,9,10

### Notes:

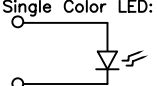
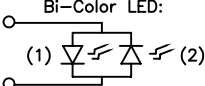
1. Solderability: Leads shall meet MIL-STD-202G, Method 208H for solderability.
2. Flammability: UL94V-0
3. ASTM oxygen index: > 28%
4. Insulation System: Class F 155°C. UL file E151556
5. Operating Temperature Range: All listed parameters are to be within tolerance from -40°C to +85°C
6. Storage Temperature Range: -55°C to +125°C
7. Aqueous wash compatible
8. Electrical and mechanical specifications 100% tested
9. RoHS Compliant Component
10. Remove Pin#6

### Complete the Combo P/N as follows:

Replace 'x' & 'u' in the part number with one of the LED color letters:

Y=Yellow      'x' = Left LED Color  
 G=Green      'u' = Right LED Color  
 A=Amber  
 R=Red

C=Green(1)/Amber(2) Bicolor  
 D=Amber(1)/Green(2) Bicolor  
 M=Green(1)/Yellow(2) Bicolor  
 N=Yellow(1)/Green(2) Bicolor  
 P=Red(1)/Green(2) Bicolor  
 Q=Green(1)/Red(2) Bicolor  
 E=Red(1)/Yellow(2) Bicolor  
 F=Yellow(1)/Red(2) Bicolor  
 H=Amber(1)/Yellow(2) Bicolor  
 J=Green(1)/Green(2) Bicolor

Single Color LED:  Bi-Color LED: 

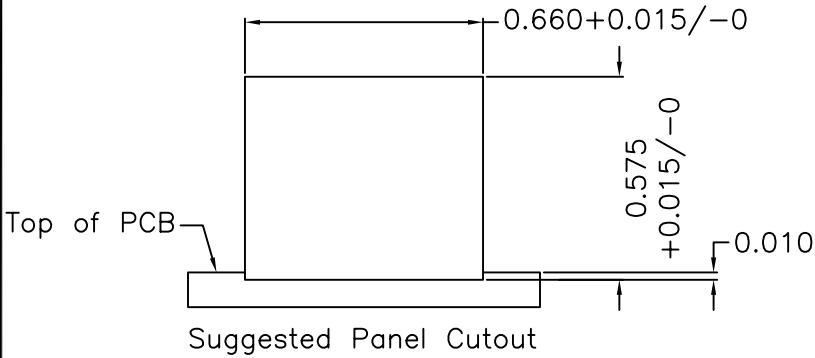
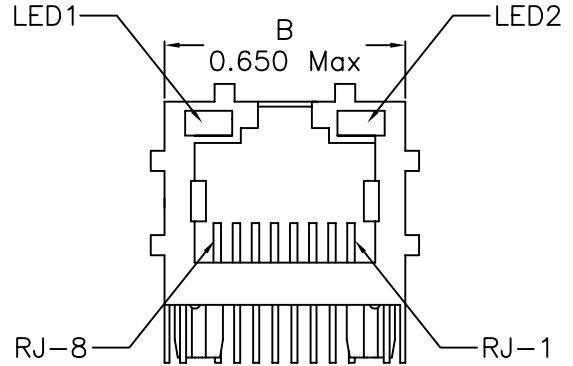
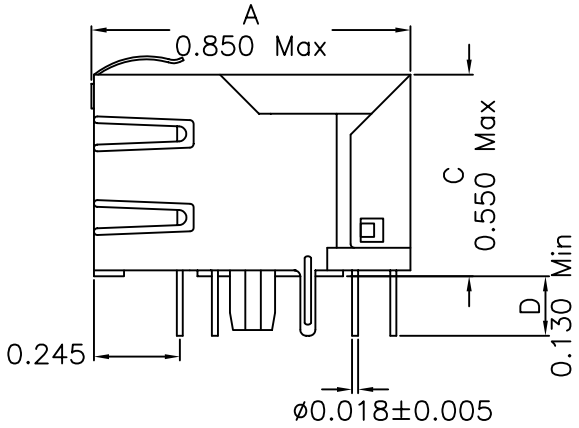
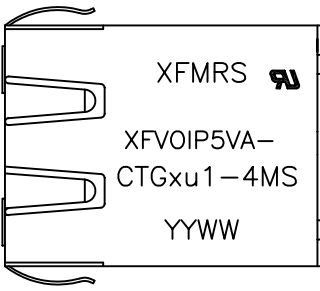
DOC REV.: A/1

## PROPRIETARY:

Document is the property of XFMRS Group & is not allowed to be duplicated without authorization.

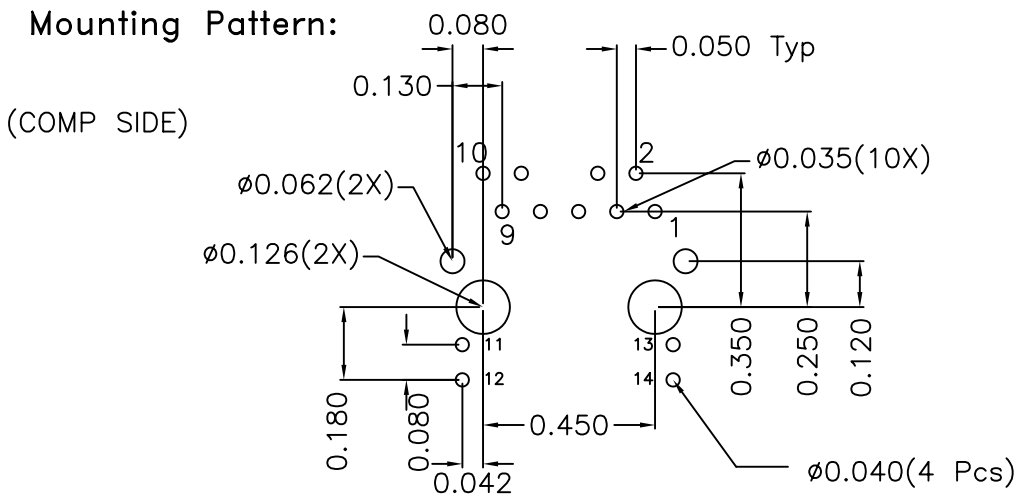
<b>XFMRS Inc.</b> www.XFMRS.com		Title: <b>SINGLE PORT COMBO</b>	
UNLESS OTHERWISE SPECIFIED TOLERANCES: .xxx ±0.010 Dimensions in Inch		P/N:XFVOIP5VA-CTGxu1-4MS	REV. A
SHEET 1 OF 2		DWN.	Feb-03-11
		CHK.	Feb-03-11
		APP.	Feb-03-11
		Xianyi	
		YK Liao	
		BW	

**Mechanical Dimensions:**



Remove Pin 6

**Mounting Pattern:**



DOC REV: A/1

**XFMRS Inc.**  
www.XFMRS.com

Title:  
0.85" Tab-UP Single part

UNLESS OTHERWISE SPECIFIED  
TOLERANCES:  
.xxx ±0.010  
Dimensions in Inch

P/N: XFVOIP5VA-CTGxu1-4MS

REV. A

DWN.

Xianyi

Feb-03-11

CHK.

YK Liao

Feb-03-11

APP.

BW

Feb-03-11

**PROPRIETARY:**

Document is the property of XFMRS Group & is not allowed to be duplicated without authorization.

SHEET 2 OF 2