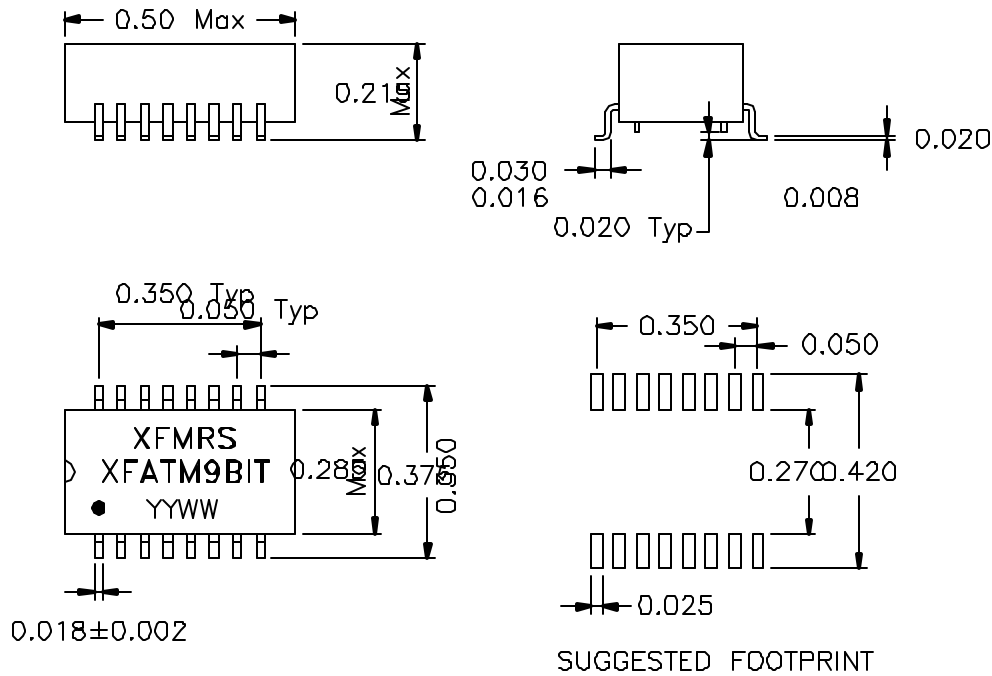
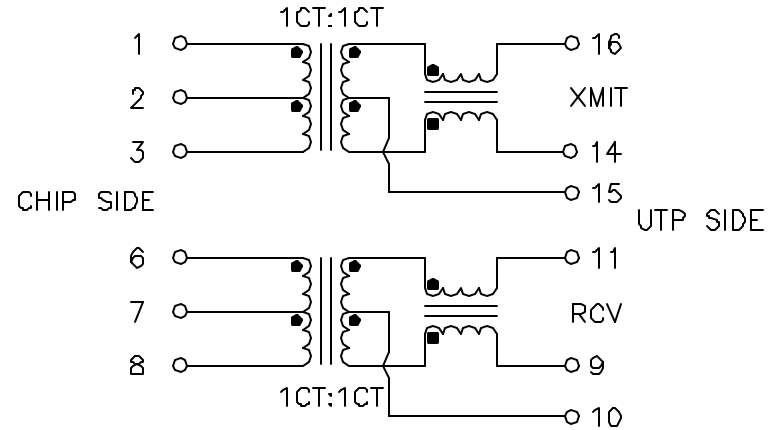


### 1. Dimensions:



### 2. Schematic:



### 3. Electrical Specifications: @25°C

- UTP Impedance: 100 OHMS
- Turns Ratio: TX : 1CT:1CT (±2%)    RX : 1CT:1CT (±2%)
- Isolation Voltage: 1500 Vrms (Input to Output)
- UTP Side OCL: 350uH Minimum @100KHz, 100mV 8mADC
- Rise Time (10-90%): 2.0ns Typical
- Insertion Loss (1M-100MHz): 1.1dB Maximum
- Return Loss(5-100MHz): 12dB Minimum
- CMRR (1-100MHz): 40dB Typical
- Crosstalk Attenuation: 30dB Minimum
- Temperature Range: -40 to +85°C

DOC. REV: A/1

<b>XFMRS INC</b>	Title: 10/100 BASE MAGNETIC MODULE		
	UNLESS OTHERWISE SPECIFIED		P/N: XFATM9BIT
	TOLERANCES:		REV. A
	.xxx ±0.010		DWN. 李清儿 Mar-09-99
Dimensions in Inch		CHK. 孙小悦 Mar-09-99	
SHEET 1 OF 1		APP. Joe Huff Mar-09-99	