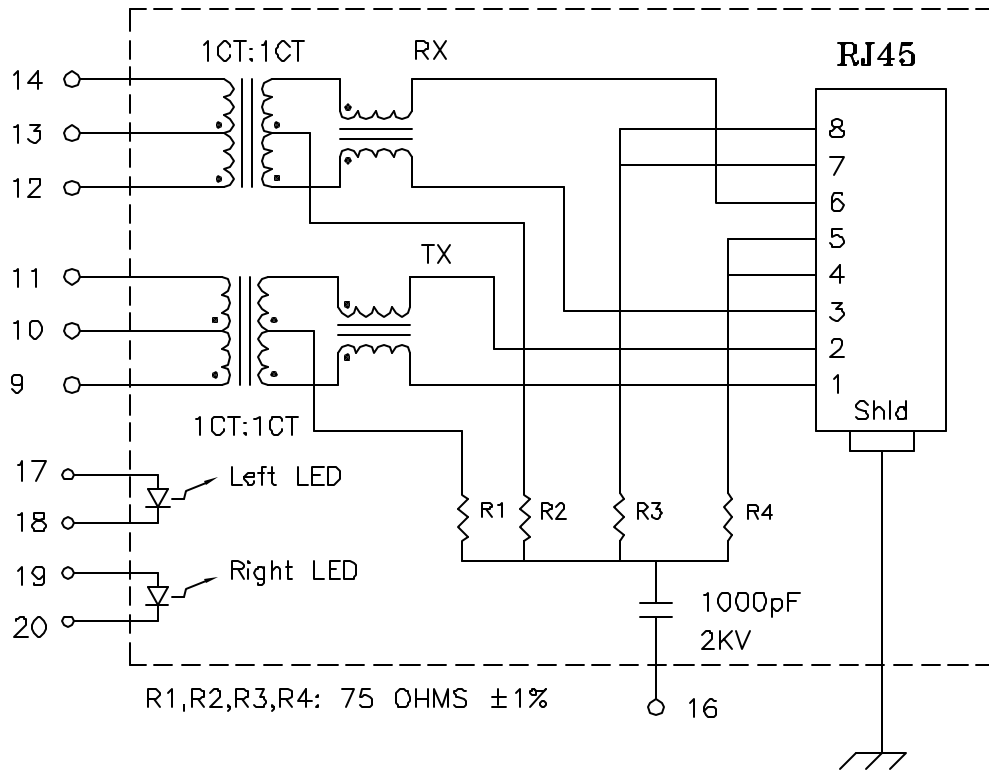


1. Schematic:



2. Electrical Specifications:@25°C

Isolation Voltage: 1500 Vrms (Input to Output)

Isolation Voltage: 500 Vrms (P9+10+11 to P12+13+14)

Turns Ratio: TX 1CT:1CT \pm 3% RX 1CT:1CT \pm 3%

CABLE SIDE OCL: 350uH Minimum @100KHz 100mV 8mADC

Insertion Loss (300KHz-100MHz): -1.0dB Maximum

Return Loss: @30MHz -20dB Minimum

@80MHz -15dB Typ

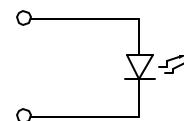
Complete the Combo P/N as follows:

Replace 'x' & 'u' in the part number with one of the LED color letters:

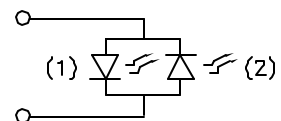
Y=Yellow
 G=Green
 A=Amber
 R=Red
 C=Green(1)/Amber(2) Bicolor
 D=Amber(1)/Green(2) Bicolor
 M=Green(1)/Yellow(2) Bicolor
 N=Yellow(1)/Green(2) Bicolor
 P=Red(1)/Green(2) Bicolor
 Q=Green(1)/Red(2) Bicolor

'x' = Left LED Color
 'u' = Right LED Color

Single Color LED:



Bi-Color LED:



Notes:

1. Solderability: Leads shall meet MIL-STD-202G, Method 208H for solderability.
2. Flammability: UL94V-0
3. ASTM oxygen index: > 28%
4. Insulation System: Class F 155°C, UL file E151556
5. Operating Temperature Range: All listed parameters are to be within tolerance from -40°C to +85°C
6. Storage Temperature Range: -55°C to +125°C
7. Aqueous wash compatible
8. Electrical and mechanical specifications 100% tested
9. RoHS Compliant Component

DOC REV: A/1

XFMRs Inc
www.XFMRs.com

Title: **STACKED USB COMBO**

UNLESS OTHERWISE SPECIFIED
TOLERANCES:
.xx \pm 0.25
Dimensions in MM

P/N: XFATM9A-USBxu-2 REV. A

DWN. Juan Mao Jun-06-06

CHK. YK Liao Jun-06-06

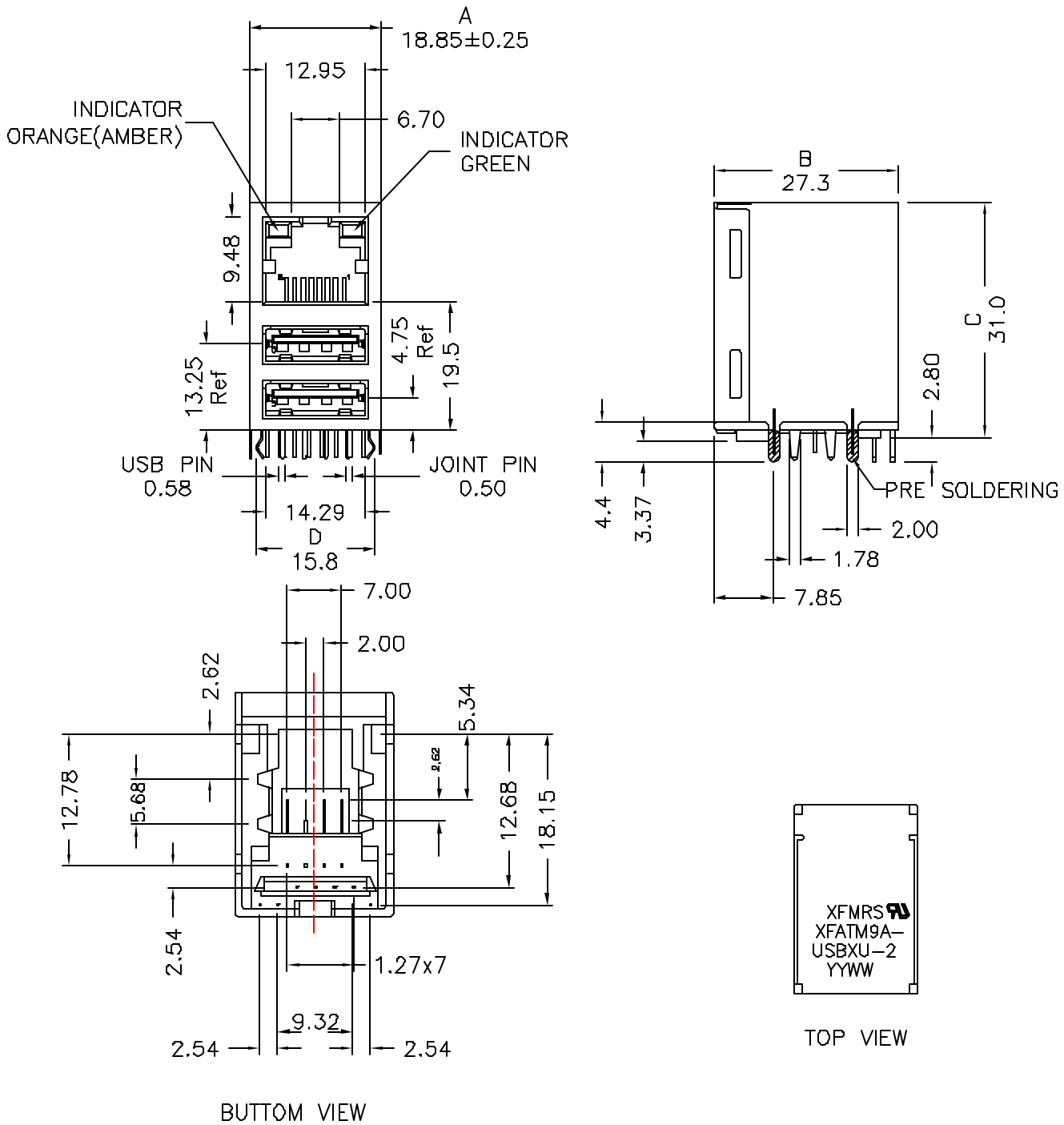
SHEET 1 OF 3

APP. MS Jun-06-06

PROPRIETARY:

Document is the property of XFMRs Group & is not allowed to be duplicated without authorization.

3. Mechanical Dimensions:



DOC. REV. A/1

XFMRs Inc.
www.XFMRS.com

Title: Mechanical Dimensions
For STACKED RFMAG USB COMBO

UNLESS OTHERWISE SPECIFIED
TOLERANCES:
.xxx ± 0.25
Dimensions in MM

P/N: XFATM9A-USBxu-2

REV. A

DWN.

Juan Mao

Jun-06-06

CHK.

YK Liao

Jun-06-06

SHEET 2 OF 3

APP.

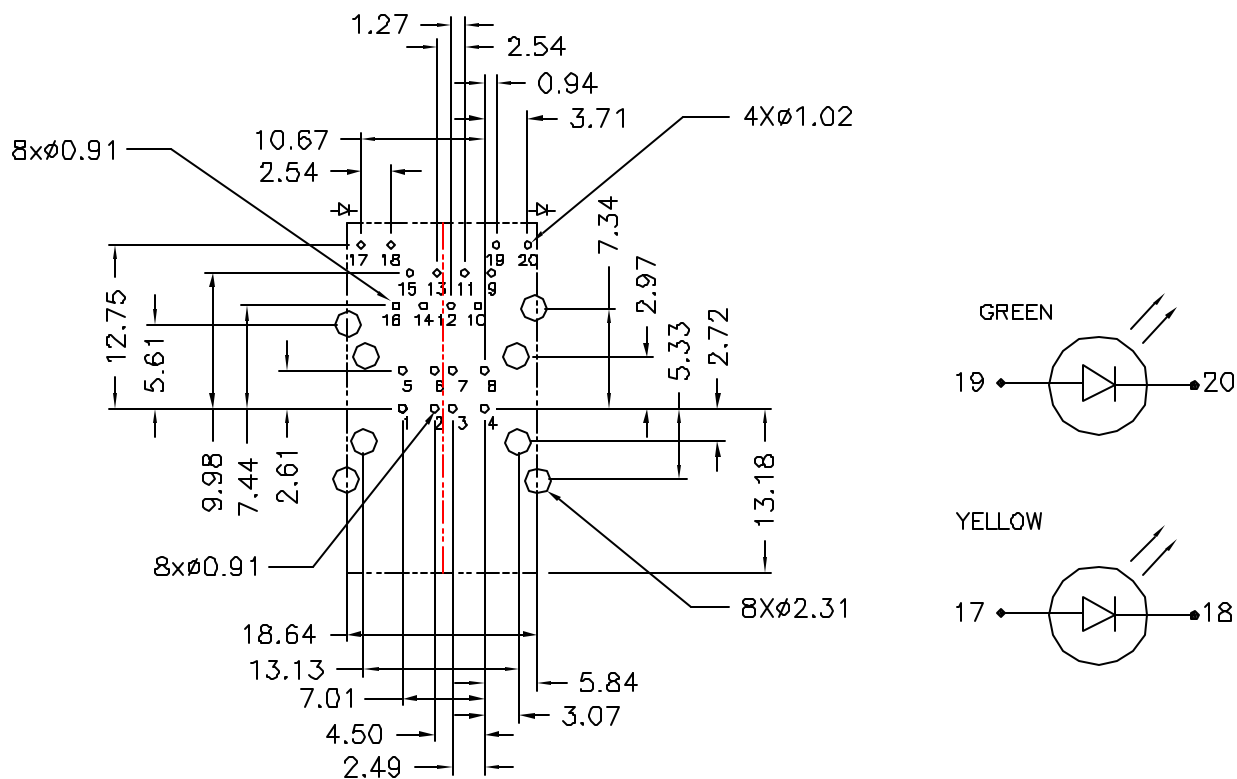
MS

Jun-06-06

PROPRIETARY:

Document is the property of XFMRs Group & is not allowed to be duplicated without authorization.

3. Mechanical Dimensions (cont.):



SUGGESTED PC BOARD LAYOUT VIEW
FROM COMPONENT SIDE

DOC. REV. A/1

XFMRs Inc

www.XFMRS.com

Title: Mechanical Dimensions
For STACKED USB COMBO

UNLESS OTHERWISE SPECIFIED
TOLERANCES:
.xxx ±0.25
Dimensions in MM

P/N: XFATM9A-USBxu-2

REV. A

DWN.

Juan Mao

Jun-06-06

CHK.

YK Liao

Jun-06-06

SHEET 3 OF 3

APP.

MS

Jun-06-06

PROPRIETARY:

Document is the property of XFMRs Group & is not allowed to be duplicated without authorization.