

Ultra fast recovery type

Features

- Plastic package has Underwriters Laboratory Flammability Classification 94V-O Utilizing Flame Retardant Epoxy Molding Compound.
- For surface mounted applications.
- Exceeds environmental standards of MIL-S-19500 / 228
- Low leakage current

Mechanical data

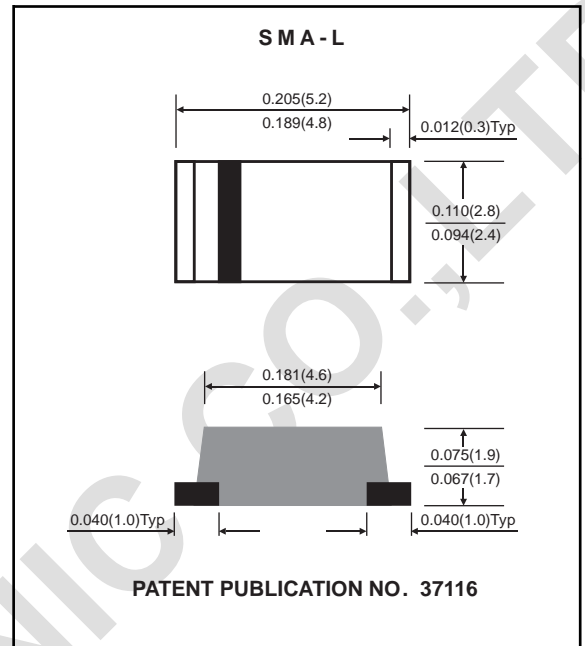
Case : Molded plastic, JEDEC DO-214AC

Terminals : Solder plated, solderable per MIL-STD-750, Method 2026

Polarity : Indicated by cathode band

Mounting Position : Any

Weight : 0.0015 ounce, 0.05 gram



MAXIMUM RATINGS (AT T_A=25°C unless otherwise noted)

PARAMETER	CONDITIONS	Symbol	MIN.	TYP.	MAX.	UNIT
Forward rectified current	Ambient temperature = 50°C	I _O			1.0	A
Forward surge current	8.3ms single half sine-wave superimposed on rate load (JEDEC methode)	I _{FSM}			50	A
Reverse current	V _R = V _{RRM} T _A = 25°C	I _R			5.0	uA
	V _R = V _{RRM} T _A = 100°C				150	uA
Thermal resistance	Junction to ambient	R _{JA}		20		°C / w
Diode junction capacitance	f=1MHz and applied 4vDC reverse voltage	C _J		25		pF
Storage temperature		T _{STG}	-55		+150	°C

SYMBOLS	MARKING CODE	V _{RRM} *1 (V)	V _{RMS} *2 (V)	V _R *3 (V)	V _F *4 (V)	T _{RR} *5 (nS)	Operating temperature (°C)
HFM201	H21	50	35	50	1.0	50	-55 to +150
HFM202	H22	100	70	100			
HFM203	H23	200	140	200			
HFM204	H24	400	280	400	1.3	75	
HFM205	H25	600	420	600			
HFM206	H26	800	560	800	1.7	75	
HFM207	H27	1000	700	1000			

- *1 Repetitive peak reverse voltage
- *2 RMS voltage
- *3 Continuous reverse voltage
- *4 Maximum forward voltage
- *5 Reverse recovery time

RATING AND CHARACTERISTIC CURVES (HFM201 THRU HFM207)

FIG.1-TYPICAL FORWARD CHARACTERISTICS

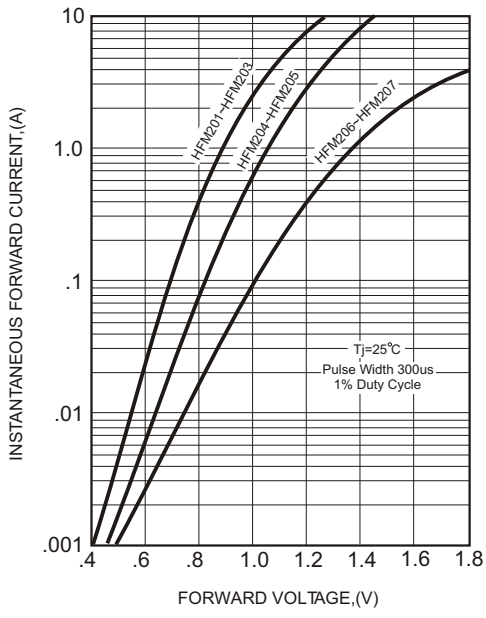


FIG.2-TYPICAL FORWARD CURRENT DERATING CURVE

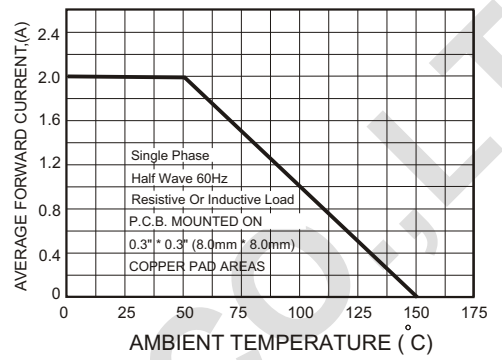


FIG.4-MAXIMUM NON-REPETITIVE FORWARD SURGE CURRENT

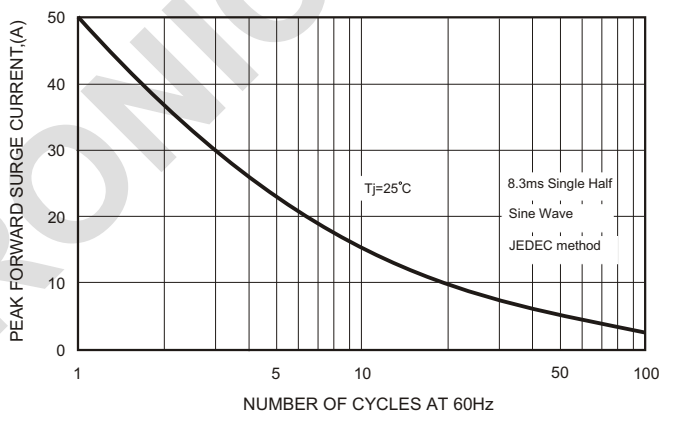
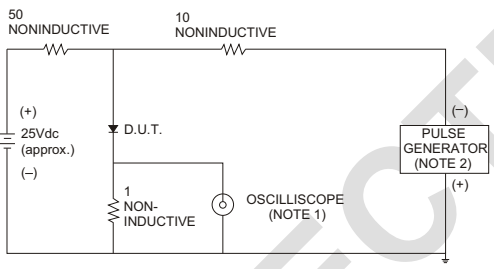


FIG.3- TEST CIRCUIT DIAGRAM AND REVERSE RECOVERY TIME CHARACTERISTICS



NOTES: 1. Rise Time= 7ns max., Input Impedance= 1 megohm, 22pF.
2. Rise Time= 10ns max., Source Impedance= 50 ohms.

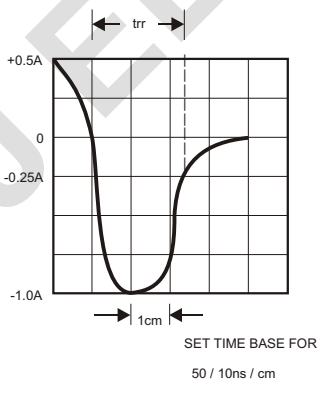


FIG.5-TYPICAL JUNCTION CAPACITANCE

