

PLEASE CHECK WWW.MOLEX.COM FOR LATEST PART INFORMATION

Part Number: **0190020044**
Status: **Active**
Description: Avikrimp™ Quick Disconnect, Female, for 10-12 (5.00-3.30) Wire, Box, Tab 6.35mm (.250") x 0.81mm (.032")

Documents:

[Drawing \(PDF\)](#) [RoHS Certificate of Compliance \(PDF\)](#)

Agency Certification

CSA LR18689
 UL E79133

General

Product Family Quick Disconnects
 Series 19002
 Crimp Quality Equipment Yes
 Product Name Avikrimp™
 Type Quick Disconnect

Physical

Barrel Type Closed
 Flammability 94V-2
 Gender Female
 Glow-Wire Compliant No
 Insulation Nylon (PA)
 Lock to Mating Part None
 Material - Metal Brass
 Orientation Straight
 Packaging Type Bag
 Polarized to Mating Part No
 Tab Thickness 0.81mm (.032")
 Tab Width 6.35mm (.250")
 Temperature Range - Operating -65°C to +105°C
 Wire Insulation Diameter 6.22mm (.245") max.
 Wire Size AWG 10, 12
 Wire Size mm² 3.30 - 5.00

Electrical

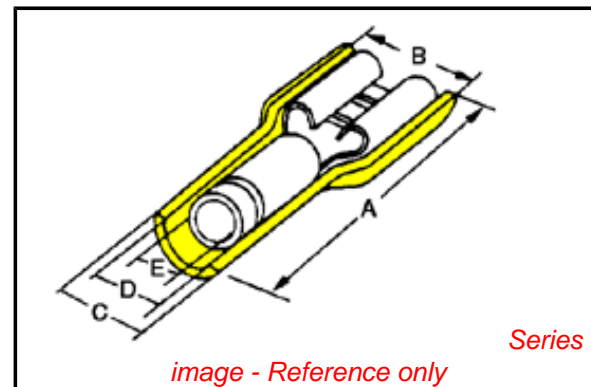
Voltage - Maximum 300V

Material Info

Old Part Number C-5265

Reference - Drawing Numbers

Sales Drawing SD-19002-005



EU RoHS

ELV and RoHS Compliant
REACH SVHC
 Not Reviewed
Halogen-Free Status
 Not Reviewed

China RoHS



Need more information on product environmental compliance?

Email productcompliance@molex.com
 For a multiple part number RoHS Certificate of Compliance, [click here](#)

Please visit the [Contact Us](#) section for any non-product compliance questions.

Search Parts in this Series

19002Series

Use With

19001-0010 , 19001-0011

Application Tooling | FAQ

Tooling specifications and manuals are found by selecting the products below. Crimp Height Specifications are then contained in the Application Tooling Specification document.

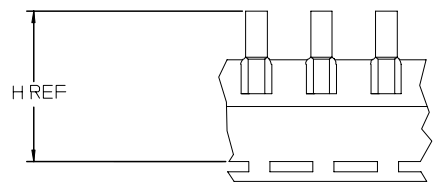
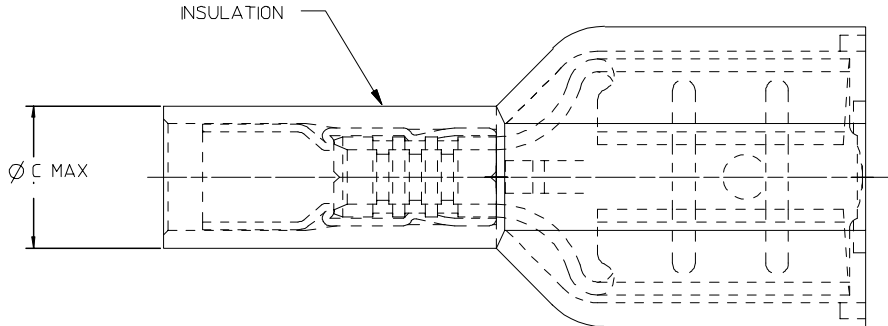
Global

Description	Product #
Hand Crimp Tool	<u>0640010200</u>
Hand Crimp Tool	<u>0640013000</u>
Crimp Head for the AT-200™ Pneumatic Hand Tool	<u>0640050200</u>
Crimp Head for the AT-200™ Pneumatic Hand Tool	<u>0640053000</u>

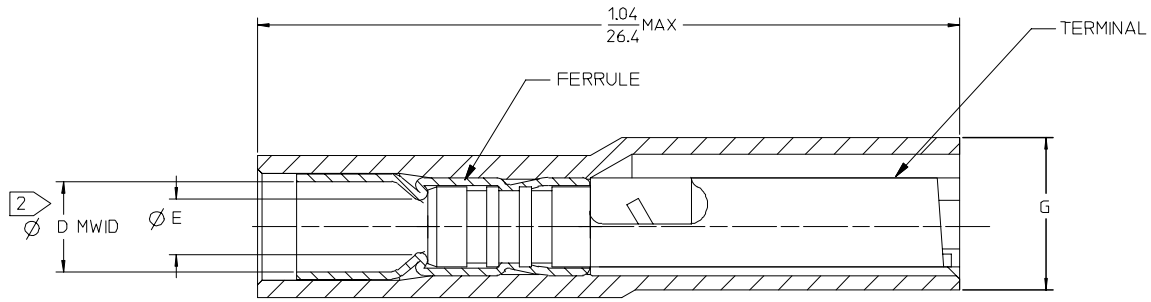
This document was generated on 04/12/2010

PLEASE CHECK WWW.MOLEX.COM FOR LATEST PART INFORMATION

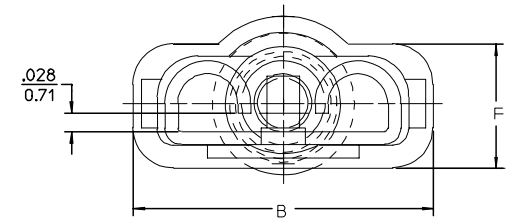
13	12	11	10	9	8	7	6	5	4	3	2	1
MATERIAL NUMBER LOOSE PCS	ENGINEERING NUMBER LOOSE PCS	MATERIAL NUMBER ON STRIP	ENGINEERING NUMBER ON STRIP	MATERIAL NUMBER ON TAPE	ENGINEERING NUMBER ON TAPE	"C" MAX	"D" MWD	"E" MIN	"F" REF	"H" REF		
190020044	C-5265	190020046	C-5265Z	190020045	C-5265T	.31/7.9	.245/6.22	.144/3.66	.19/4.8	1.561/39.65		
196060005	19606-0005	196060004	19606-0004	196060006	19606-0006	.30/7.6	.230/5.84	.120/3.05	.15/3.8	1.513/38.43		



PARTS ON TAPE



TERMINAL IS NOT SECTIONED FOR CLARITY



SALES DRAWING

NOTES:

- MATERIAL: TERMINAL BRASS .018/0.46 THK REF.
TERMINAL PLATING: ELECTRO TIN
FERRULE: BRASS
FERRULE PLATING: ELECTRO TIN
INSULATION: NYLON 94V2 COLOR YELLOW.
- MWD = MAXIMUM WIRE INSULATION DIAMETER
- PART IS RoHS COMPLIANT

ADD NOTE 3 FC NO: ETC2007-0243 DRAWN: JLOMASTRO 2006/12/14 CHKD: JMAGNELL 2006/12/15 APPR: JMAGNELL 2006/12/15	QUALITY SYMBOLS	GENERAL TOLERANCES (UNLESS SPECIFIED)	DIMENSION STYLE		SCALE	DESIGN UNITS	THIRD ANGLE PROJECTION	
	▽=0 ▽=0		mm	INCH	IN/MM	INCH		
			4 PLACES ± --- ± ---	3 PLACES ± --- ± .005	DRAWN BY	DATE	TITLE	
			2 PLACES ± 0.13 ± .01	1 PLACE ± 0.25 ± ---	BENDERLE	2005/04/15	AVIKRIMP FEMALE FIQD 12-10 AWG	
	ANGULAR ±1/2°							

DRAFT WHERE APPLICABLE MUST REMAIN WITHIN DIMENSIONS	SEE CHART	MATERIAL NO.	DOCUMENT NO.	SHEET NO.
			SD-19002-005	1 OF 1

MATERIAL NO.		DOCUMENT NO.	SHEET NO.
		SD-19002-005	1 OF 1
THIS DRAWING CONTAINS INFORMATION THAT IS PROPRIETARY TO MOLEX INCORPORATED AND SHOULD NOT BE USED WITHOUT WRITTEN PERMISSION			