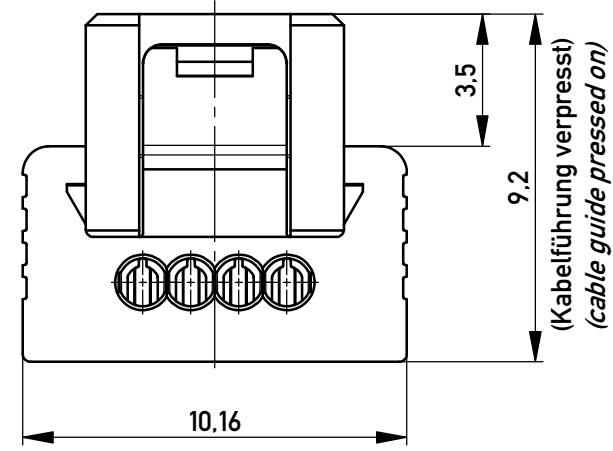
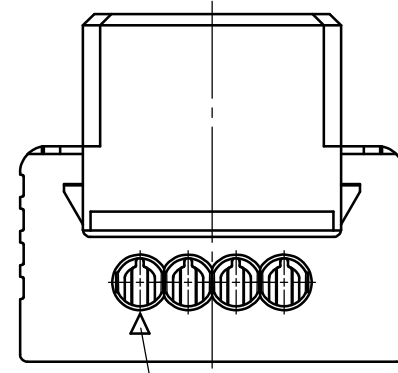
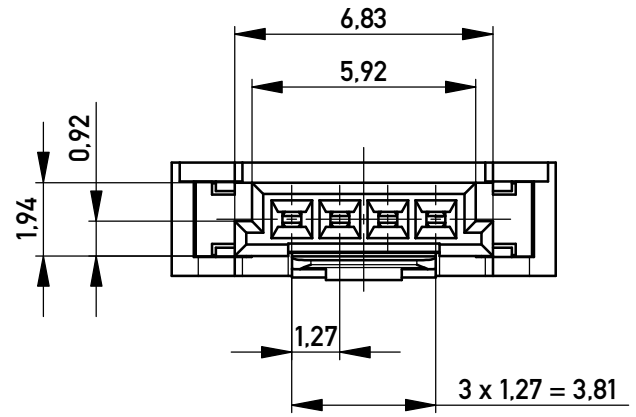


Kabelführung: rot
cable guide: red

mit aufgesetzter Kabelführung
(Anlieferungszustand)
with cable guide mounted
(state at time of supply)

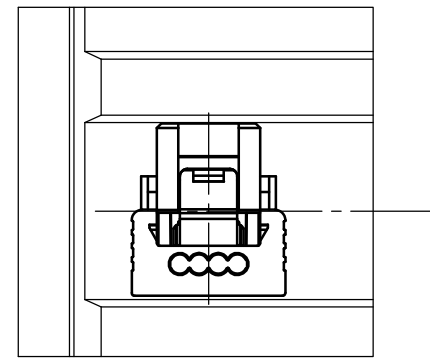


(Kabelführung verpresst)
(cable guide pressed on)

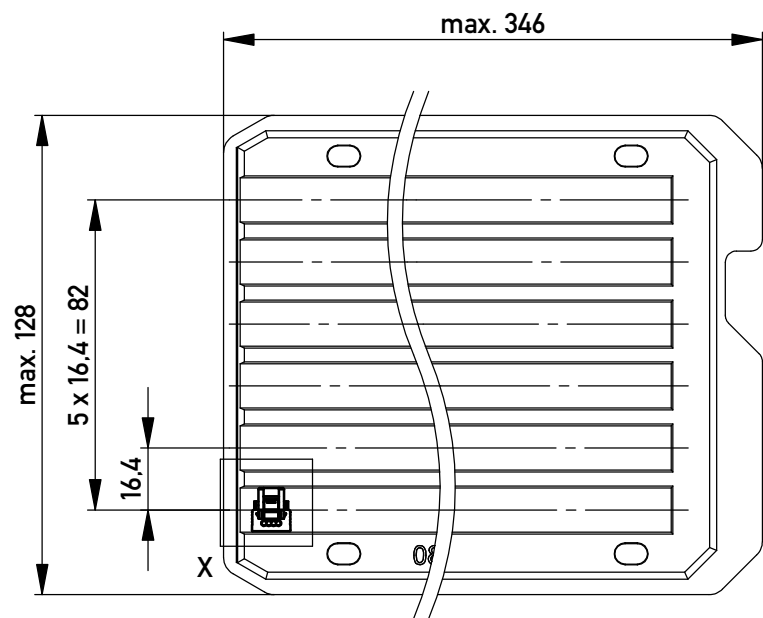


Kontaktbezeichnung
contact marking

Einzelheit X - detail X
M 2:1



Verpackt in Tray - tray packaging
Verpackungseinheit 180 Stück - packaging unit 180 pcs



* Federkontakt AWG 22 - Female Contact AWG 22
Kabelführung $\phi 1.27$ - cable guide $\phi 1.27$

nur mit Hilfsmittel lösbar,
für Einzeladern
only with tool unlockable,
for single conductors

Copyright by ERNI Production GmbH & Co. KG
Proprietary notice pursuant to ISO 16016 to be observed.

Information:	Tolerances	All Dimensions in mm	Scale 5:1
All rights reserved. Only for Information. To ensure that this is the latest version of this drawing, please contact one of the ERNI companies before using.	Subject to modification without prior notice. Drawing will not be updated.	Designation	1,27 SRC P SKV, 4-polig 1,27 SRC P IDC, 4-pin
Index	Date	www.ERNI.com	100201840001
		Class	SRCP
			K A3