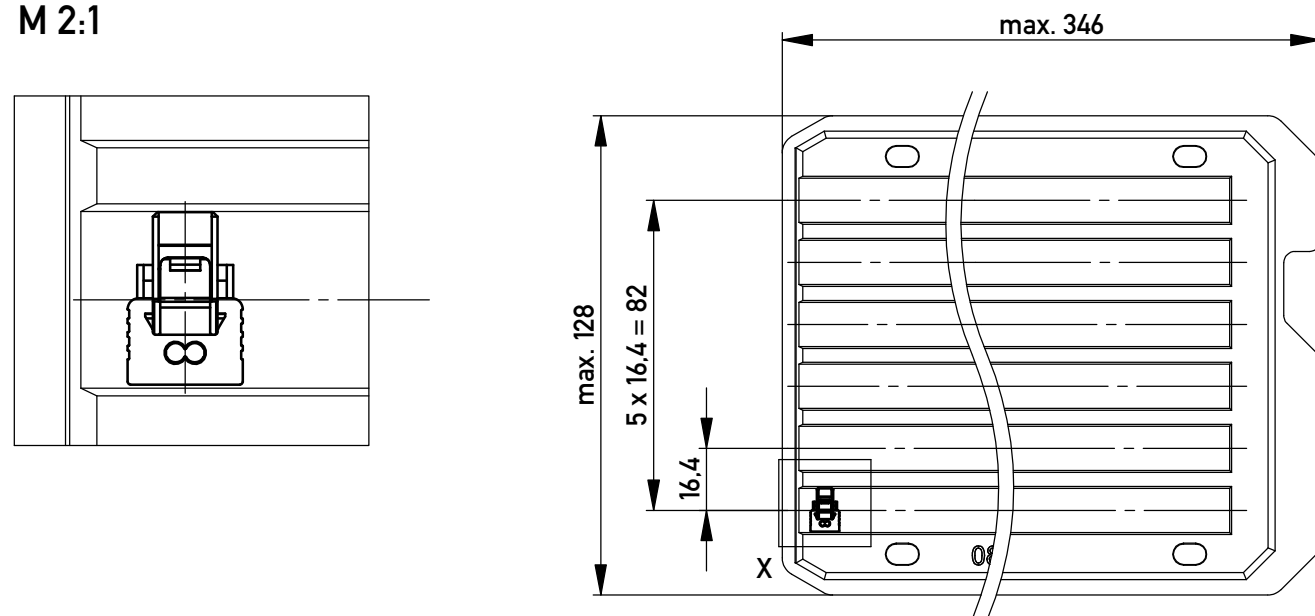


Einzelheit X - detail X
M 2:1

Verpackt in Tray - tray packaging
Verpackungseinheit 240 Stück - packaging unit 240 pcs



* Federkontakt AWG 22 - Female Contact AWG 22
Kabelführung $\phi 1.27$ - cable guide $\phi 1.27$

nur mit Hilfsmittel lösbar,
für Einzeladern
only with tool unlockable,
for single conductors

Information:	Tolerances	 All Dimensions in mm	Scale	5:1
			Designation	
All rights reserved. Only for Information. To ensure that this is the latest version of this drawing, please contact one of the ERNI companies before using.	Subject to modification without prior notice. Drawing will not be updated.	 www.ERNI.com	1,27 SRC P SKV, 2-polig d=1,27 1,27 SRC P IDC, 2-pin d=1,27	
			Index	Date
			Class	SRCP

Copyright by ERNI Production GmbH & Co. KG
Proprietary notice pursuant to ISO 16016 to be observed.