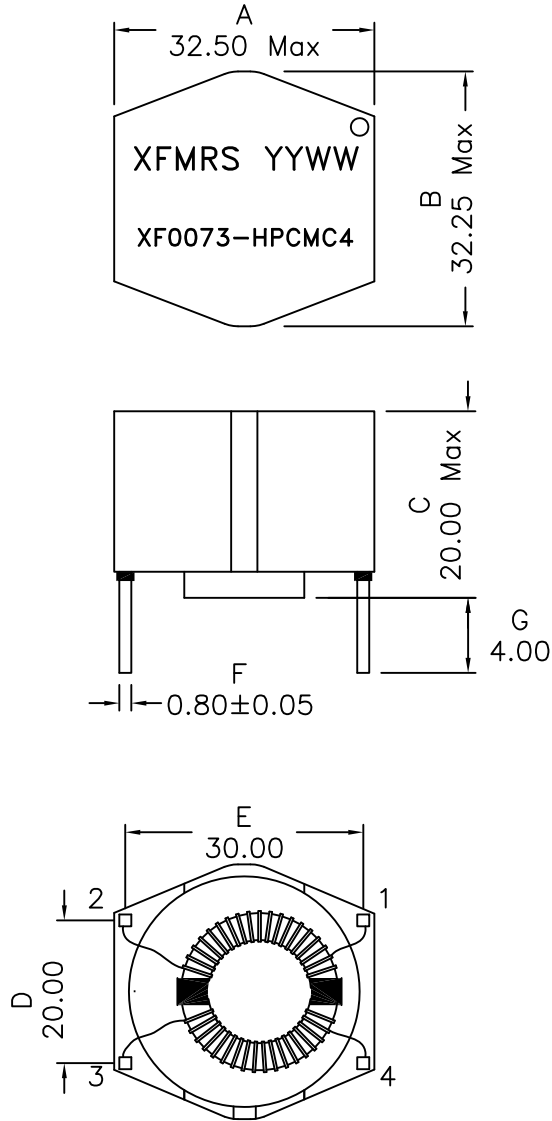


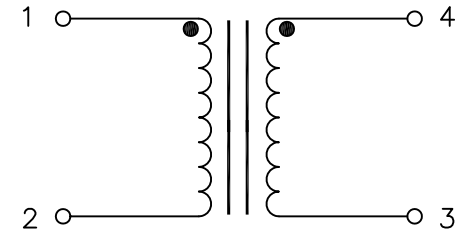
1. Mechanical Dimensions:



(BOTTOM VIEW)

DOC REV: A/1

2. Schematic:



3. Electrical Specifications:@25°C

OCL: 7mH±30% @10KHz 0.1V, Each Wdg
 DCR.: 0.065 Ohms Typ, Each Wdg
 LL: 40uH Typ @10KHz 0.1V
 Rated Current: 4Amps
 Isolation Voltage: 1500Vac, Wdg to Wdg
 Rated Voltage: 250VAC

Notes:

1. Solderability: Leads shall meet MIL-STD-202G, Method 208H for solderability.
2. Flammability: UL94V-0
3. ASTM oxygen index: > 28%
4. Insulation System: Class F 155°C. UL file E151556
5. Operating Temperature Range: All listed parameters are to be within tolerance from -40°C to +85°C
6. Storage Temperature Range: -55°C to +125°C
7. Aqueous wash compatible
8. Electrical and mechanical specifications 100% tested
9. RoHS Compliant Component

XFMRS Inc. www.XFMRS.com		Title: Common Mode Choke		
UNLESS OTHERWISE SPECIFIED TOLERANCES: .xx ±0.25 Dimensions in MM		P/N: XF0073-HPCMC4		REV. A
		DWN.	罗振江	Nov-20-13
SHEET 1 OF 1		CHK.	廖玉坤	Nov-20-13
		APP.	DDC	Nov-20-13