



Photoelectric sensors
W100-2, Photoelectric retro-reflective sensor

WL100-2P1432S12



Type > [WL100-2P1432S12](#)
Part No. > [6052391](#)



Illustration may differ

At a glance

- Standard miniature housing with integrated M3 threaded mounting holes
- Bright emitted light spot and clearly visible indicator LEDs
- Light/dark switching and sensitivity adjustment possible
- Long sensing ranges of up to 7.2 m on PL80A reflector

Your benefits

- Long sensing ranges of up to 7.2 m thanks to a high functional reserve
- Straightforward alignment thanks to bright light spot and clearly visible indicator LEDs
- Compatibility with a number of common mounting systems due to standard housing with 1-inch hole spacing and integrated M3 threaded mounting hole
- Highly reliable and durable despite optical interference and mechanical loads



Features

Sensor/detection principle:	Photoelectric retro-reflective sensor
Dimensions (W x H x D):	11 mm x 31 mm x 20 mm
Housing design (light emission):	Rectangular
Sensing range max.:	0.01 m ... 7.2 m ¹⁾
Sensing range:	0.01 m ... 5.5 m ²⁾
Type of light:	Visible red light
Light source:	LED ³⁾
Wave length:	632 nm
Adjustment:	Potentiometer
Light spot size (distance):	Ø 280 mm (4 m)

^{1) 2)} PL80A ³⁾ Average service life of 100,000 h at T_A = +25 °C

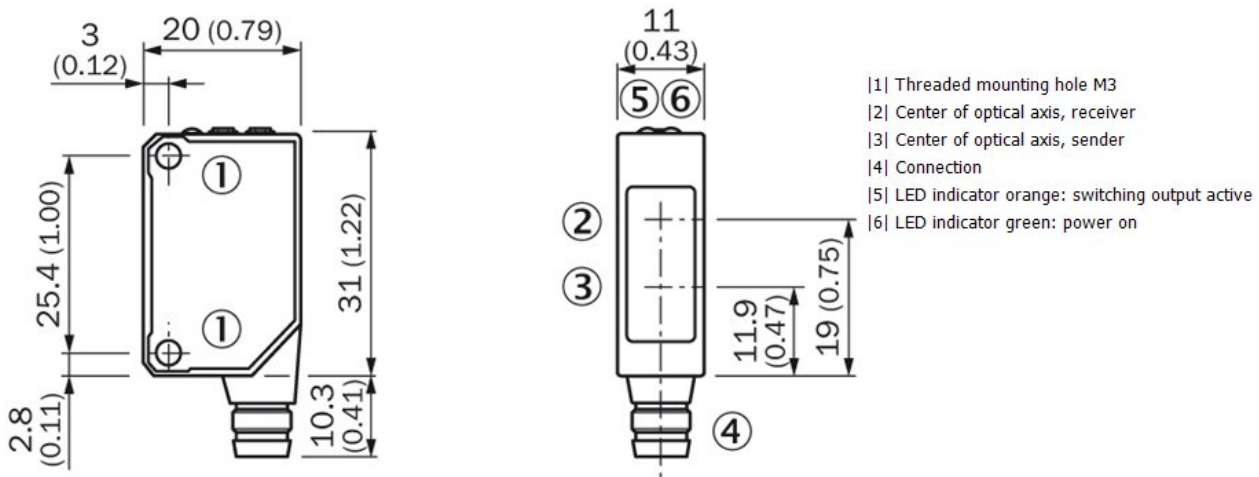
Mechanics/electronics

Supply voltage:	10 V DC ... 30 V DC ¹⁾
Ripple:	± 10 % ²⁾
Current consumption:	≤ 30 mA ³⁾
Output type:	PNP
Switching mode:	Light/dark switching
Switching mode selector:	Selectable via light/dark rotary switch
Output current I _{max.} :	100 mA
Response time:	≤ 0.5 ms ⁴⁾

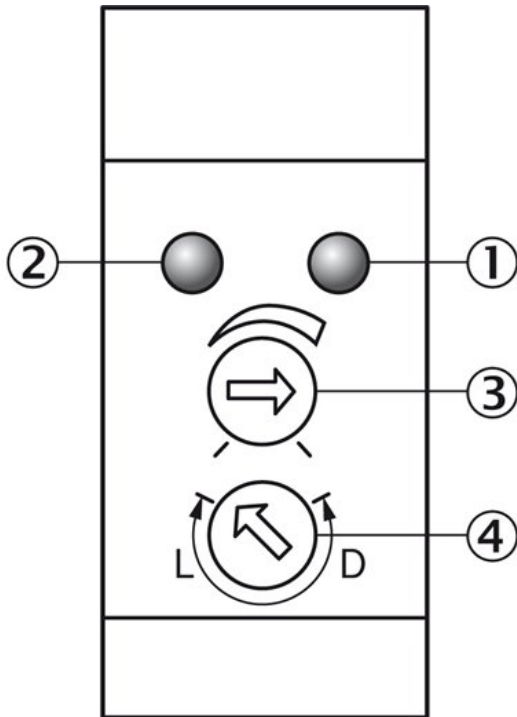
Switching frequency:	1,000 Hz ⁵⁾
Connection type:	Cable with M8 male connector, 4-pin, 200 mm
Circuit protection:::	A, B, D ^{6) 7) 8)}
Protection class:	III
Polarisation filter:	✓
Special device:	-
Optics material:	PMMA
Enclosure rating:	IP 67
Ambient operating temperature:	-25 °C ... +55 °C
Ambient storage temperature:	-40 °C ... +70 °C
Signal voltage PNP HIGH/LOW:	UV - 1,8 V/ca. 0 V
Housing material:	ABS/PC/POM, Plastic

1) Limit values 2) May not exceed or fall short of V_S tolerances 3) Without load 4) Signal transit time with resistive load 5) With light/dark ratio 1:1 6) $A = V_S$
connections reverse-polarity protected 7) B = output reverse-polarity protected 8) D = outputs overcurrent and short-circuit protected

Dimensional drawing

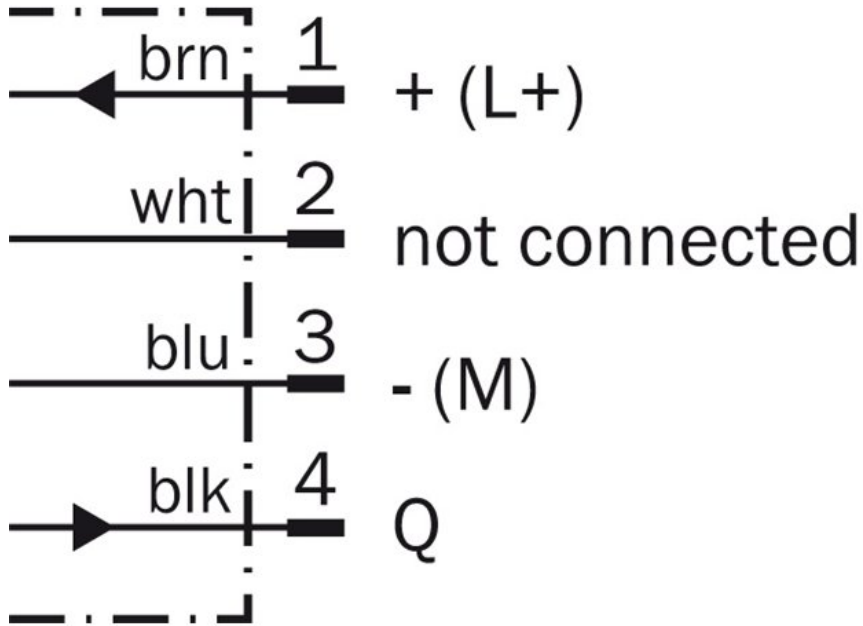


Adjustments possible

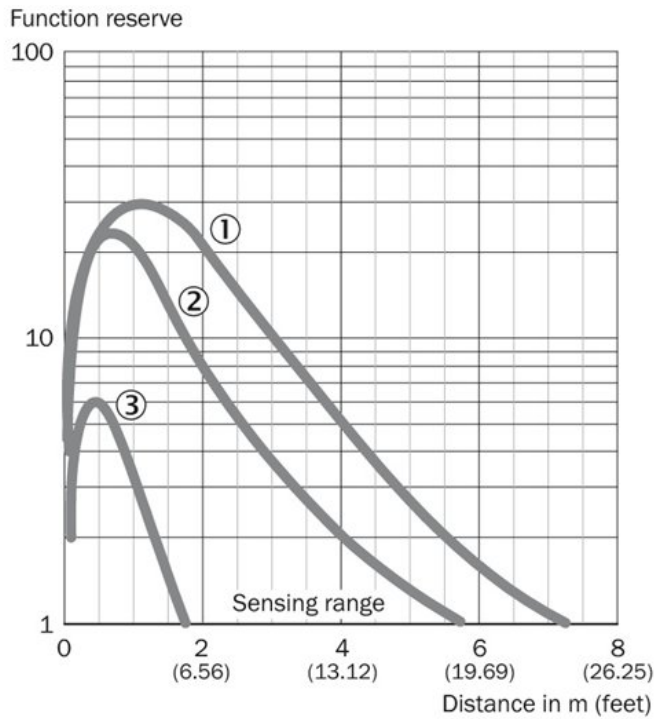


- |1| LED indicator orange: switching output active
- |2| LED indicator green: power on
- |3| Sensing range adjustment: potentiometer
- |4| Light/ dark rotary switch: L = light switching, D = dark switching

Connection diagram

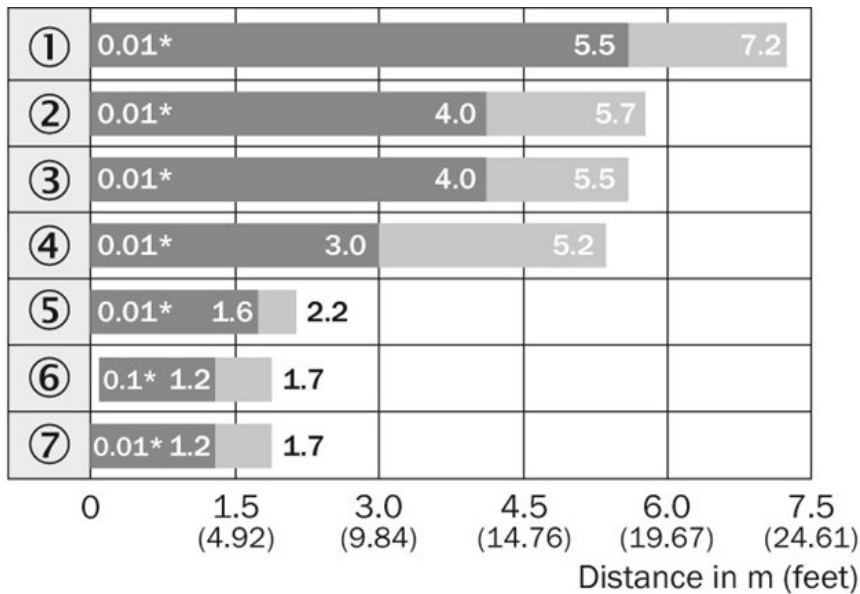


Characteristic curve



- |1| PL80A
- |2| P250
- |3| Reflective tape Diamond Grade
(100 mm x 100 mm/3.94 inch x 3.94 inch)

Sensing range diagram

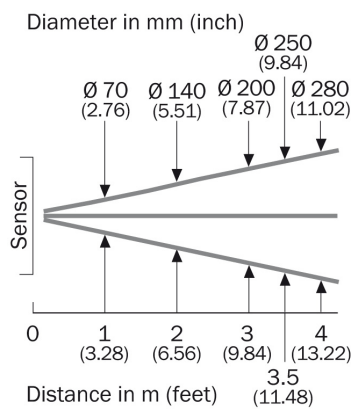


- |1| PL80A
- |2| P250
- |3| PL50A, PL40A
- |4| PL30A, PL31A
- |5| PL20A
- |6| Reflective tape Diamond Grade
- |7| P45

■ Sensing range ■ Sensing range max.

*Close-up range at maximum sensitivity

Light spot size



Australia

Phone +61 3 9457 0600
1800 33 48 02 – tollfree
E-Mail sales@sick.com.au

Belgium/Luxembourg

Phone +32 (0)2 466 55 66
E-Mail info@sick.be

Brasil

Phone +55 11 3215-4900
E-Mail marketing@sick.com.br

Canada

Phone +1 905 771 14 44
E-Mail information@sick.com

Česká republika

Phone +420 2 57 91 18 50
E-Mail sick@sick.cz

China

Phone +86 4000 121 000
E-Mail info.china@sick.net.cn
Phone +852-2153 6300
E-Mail ghk@sick.com.hk

Danmark

Phone +45 45 82 64 00
E-Mail sick@sick.dk

Deutschland

Phone +49 211 5301-301
E-Mail info@sick.de

España

Phone +34 93 480 31 00
E-Mail info@sick.es

France

Phone +33 1 64 62 35 00
E-Mail info@sick.fr

Great Britain

Phone +44 (0)1727 831121
E-Mail info@sick.co.uk

India

Phone +91-22-4033 8333
E-Mail info@sick-india.com

Israel

Phone +972-4-6881000
E-Mail info@sick-sensors.com

Italia

Phone +39 02 27 43 41
E-Mail info@sick.it

Japan

Phone +81 (0)3 5309 2112
E-Mail support@sick.jp

Magyarország

Phone +36 1 371 2680
E-Mail office@sick.hu

Nederland

Phone +31 (0)30 229 25 44
E-Mail info@sick.nl

Norge

Phone +47 67 81 50 00
E-Mail sick@sick.no

Österreich

Phone +43 (0)22 36 62 28 8-0
E-Mail office@sick.at

Polska

Phone +48 22 837 40 50
E-Mail info@sick.pl

România

Phone +40 356 171 120
E-Mail office@sick.ro

Russia

Phone +7-495-775-05-30
E-Mail info@sick.ru

Schweiz

Phone +41 41 619 29 39
E-Mail contact@sick.ch

Singapore

Phone +65 6744 3732
E-Mail sales.gsg@sick.com

Slovenija

Phone +386 (0)1-47 69 990
E-Mail office@sick.si

South Africa

Phone +27 11 472 3733
E-Mail info@sickautomation.co.za

South Korea

Phone +82 2 786 6321/4
E-Mail info@sickkorea.net

Suomi

Phone +358-9-25 15 800
E-Mail sick@sick.fi

Sverige

Phone +46 10 110 10 00
E-Mail info@sick.se

Taiwan

Phone +886 2 2375-6288
E-Mail sales@sick.com.tw

Türkiye

Phone +90 (216) 528 50 00
E-Mail info@sick.com.tr

United Arab Emirates

Phone +971 (0) 4 88 65 878
E-Mail info@sick.ae

USA/México

Phone +1(952) 941-6780
1 (800) 325-7425 – tollfree
E-Mail info@sickusa.com

More representatives and agencies
at www.sick.com