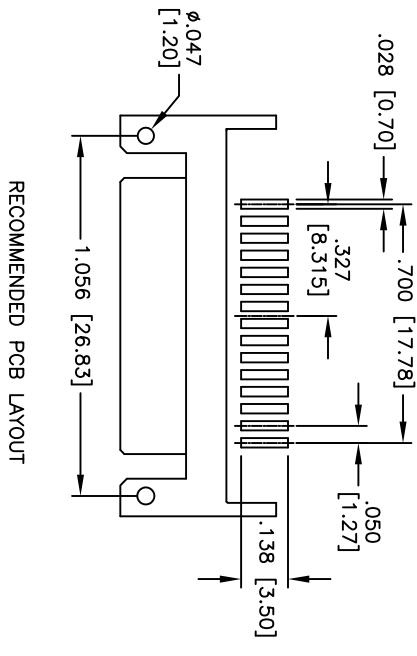
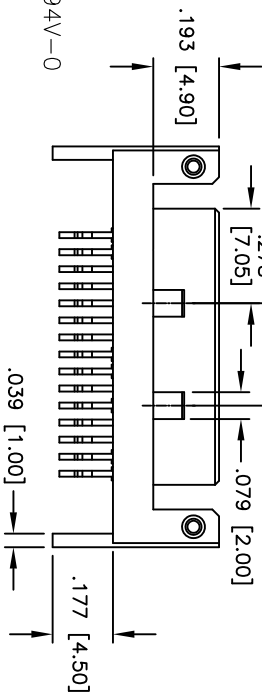
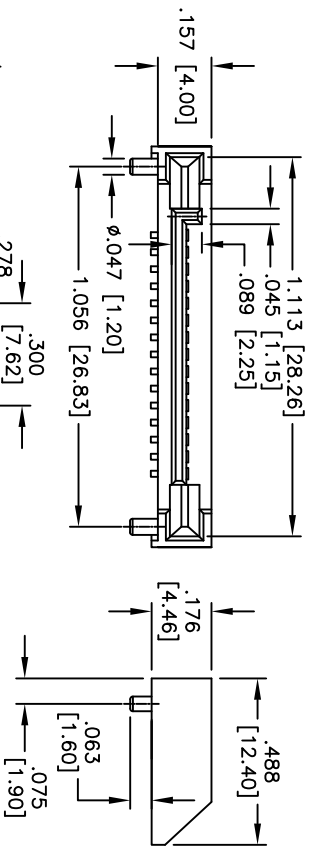
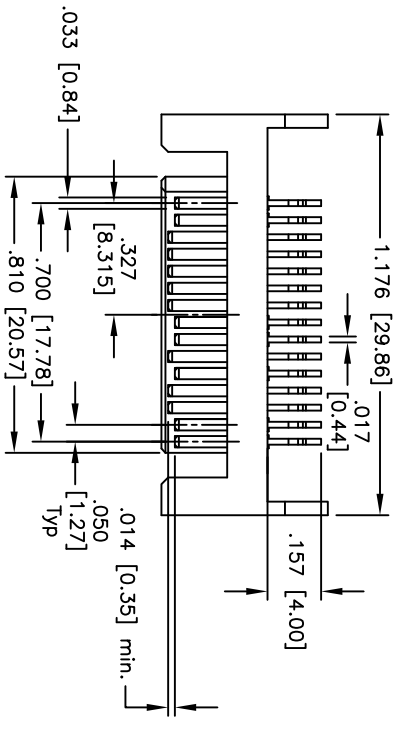


Rev	AWO #	Description	Date	Appr
-		RELEASED	5/05/10	

APPROVED: _____
 DATE: _____ TITLE: _____



SPECIFICATIONS:

Material:
 Insulator: LCP, rated UL 94V-0
 Insulator color: Black
 Contacts: Brass
 Plating:

Gold Flash over Nickel underplate on contact area,
 Tin over Copper underplate on solder tails

Electrical:

Current rating: 1.5 Amps per contact
 Contact resistance: 30 mohms max
 Insulation resistance: 1000 Mohms min
 Dielectric withstanding voltage: 500 VAC
 Temperature Rating:
 Operating temperature: -55°C to +125°C

Environmental:
 Lead free, RoHS compliant

Recommended soldering temp: 260°C for 5 seconds



UNLESS OTHERWISE SPECIFIED ALL DIMENSIONS ARE INCHES [MM]	
TOLERANCES: EXCEPT AS NOTED	
X ± .10	ØX ± .10
XX ± .020	ØXX ± .015
XXX ± .015	ØXXX ± .010
APPROVALS	
DRAWN	DATE
CHECKED	
APPROVED	

ADAM TECH
 909 Rahway Avenue, Union, NJ 07083
 Phone: 908-687-5000 Fax: 908-687-5710

TITLE: SATA CONNECTOR, 15PIN, MALE,
 RIGHT ANGLE, SMT TYPE, W/ POST

REF:	SIZE	PART NO.	SCALE:	SHEET	REV.
X		SATA-A5-PR-SMT-PEG	NTS	1 OF 1	