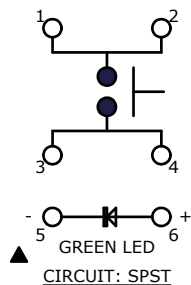


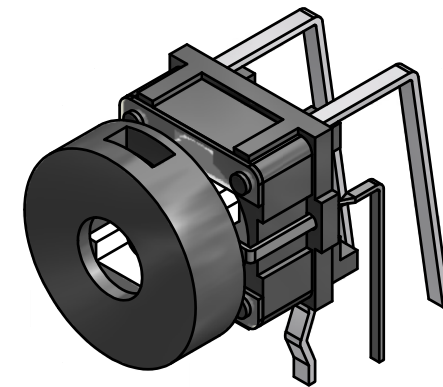
P.C.B. LAYOUT



LED SPECS	UNITS	GREEN
FORWARD CURRENT	mA	20 TYP.
FORWARD VOLTAGE	V	2.1 TYP. - 2.5 MAX.
LUMINOUS INTENSITY	MCD	800 TYP.

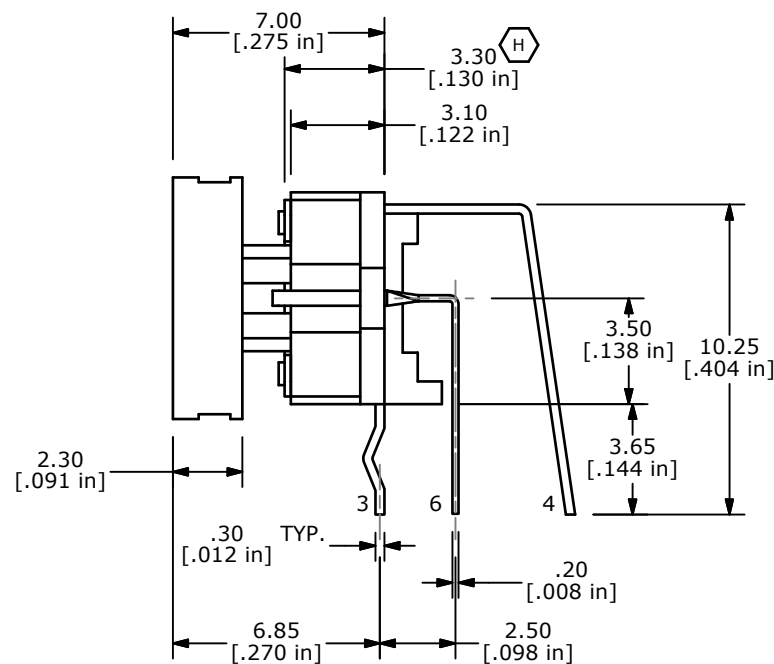
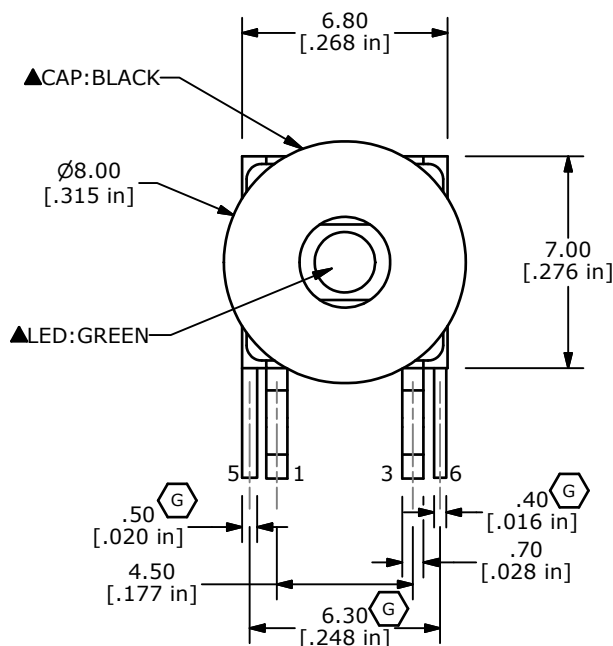
H

G



NOTES:

1. ALL DIMENSIONS IN MM [INCH]
2. GENERAL TOLERANCE: X.X=±0.4
X.XX=±0.25
3. RATING: 12VDC @ 50mA
4. CONTACT RESISTANCE: 100mΩ MAX.
5. INSULATION RESISTANCE: 100MΩ MIN.
- ▲ 6. OPERATING FORCE: 160±50gf
7. TRAVEL: 0.2±0.1mm
8. OPERATING TEMPERATURE: -20°C TO 70°C
9. OPERATING LIFE 500,000 CYCLES H
- ▲ 10. LED COLOR: GREEN
- ▲ 11. ▲ DENOTED CRITICAL PARAMETER
12. 2002/95/EC (ROHS) COMPLIANT
13. PACKAGING: 100 PIECES PER TRAY I



I	21661	ADDED NOTE 13	10/23/14	AS
H	19956	CORRECT NOTES / LED CHART / DIM	05/20/11	BMA
G	19542	UPDATE DRAWING	12/21/10	BGL
F	18175	chg LED, updated specs	7/8/08	rc
E	17281	ADD GEN. TOLERANCE NOTE	5/11/07	TN
REV	PCR NO	DESCRIPTION	DATE	BY



TITLE TL1260GQRBLK

SCALE	DATE	DR	DWG	REV
4:1	5/11/2007	TN	B200003	I

THE INFORMATION CONTAINED IN THIS DOCUMENT IS PROPRIETARY TO E-SWITCH AND IS NOT TO BE COPIED OR TRANSFERRED