

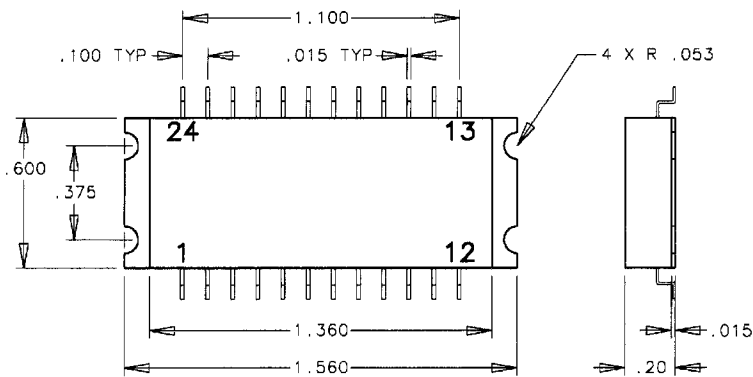
SINGLE POLE, FIVE THROW SURFACE MOUNT SWITCH



ELECTRICAL CHARACTERISTICS

PART #	TYPE	FREQ RANGE GHz	LOSS dB	ISO dB	VSWR	SWITCH SPEED ns	RF POWER dBm	DC SUPPLY Volts
6062	SP5T N	.01-.65	1.5	50	2.0:1	25	25	+5

PACKAGE OUTLINE



DESCRIPTION

Designed for applications where low power consumption is a necessity, this small, surface mount switch allows for easy integration into microstrip sub-assemblies. Hermetic, military/industrial design.

ADDITIONAL FEATURES

- Operating Current: <1 ma

CONNECTORS

- Surface mount

OPERATING ENVIRONMENT

- Operating Temperature: -55 to +125°C
- Storage Temperature: -65 to +150°C
- Impedance: 50 ohm
- Control: Transistor-Transistor Logic (TTL)

APPLICATIONS

- Missile systems
- Satellite communication systems
- Portable test equipment