



OD1-B035C15Q14

OD Mini

DISPLACEMENT MEASUREMENT SENSORS

SICK
Sensor Intelligence.



Ordering information

Type	Part no.
OD1-B035C15Q14	6052308

Other models and accessories → www.sick.com/OD_Mini



Detailed technical data

Performance

Measuring range	20 mm ... 50 mm
Resolution	20 μm ^{1) 2) 3) 4)}
Repeatability	60 μm ^{2) 3) 5)}
Response time	2 ms / 4 ms / 8 ms / 16 ms / auto ⁶⁾
Measuring frequency	2 kHz / 1 kHz / 500 Hz / 250 Hz / automatic
Light source	Laser, red
Laser class	1 (EN 60825-1) ⁷⁾
Typ. light spot size (distance)	1.6 mm x 1 mm (35 mm)
Additional function	Averaging 1 ... 512x, automatic or manual sensitivity adjustment, Switching outputs can be taught in, Invertable switching output, switching mode: window (Wnd), switching mode: distance to object (DtO), switching mode: object between sensor and background (ObSB), multifunctional input: laser-off / external teach-in / trigger

¹⁾ Measurement on 90 % remission (ceramic, white)

²⁾ Averaging function set to: 512.

³⁾ Hysteresis 0.08 mm.

⁴⁾ For best performance consider warm up time ≤ 5 minutes.

⁵⁾ Constant ambient conditions.

⁶⁾ With fixed sensitivity adjustment and averaging setting = 1. With automatic sensitivity and measuring rate 500 μs: 2 ... 7.5 ms response time/measuring rate 1,000 μs: 4 ... 15 ms response time.

⁷⁾ Wavelength: 655 nm, max. output: 390 μW (laser class 1) / < 1 mW (laser class 2)

Interfaces

Switching output	1 x PNP/NPN, selectable
Multifunctional input (MF)	1 x ¹⁾

¹⁾ MF can be used as laser-off, trigger, external teach-in or deactivated.

Mechanics/electronics

Supply voltage V_s	DC 12 V (-5 %) ... DC 24 V (+10 %)
Power consumption	≤ 1.92 W ¹⁾

¹⁾ Without load, with current output.

Warm-up time	≤ 5 min
Housing material	Aluminum housing with PPSU lens
Connection type	Male connector, M8, 4-pin
Indication	4-digit 7-segment display (plus 4 LEDs for status display)
Operating elements	4 buttons
Weight	40 g
Dimensions	44.4 mm x 31 mm x 17 mm

¹⁾ Without load, with current output.

Ambient data

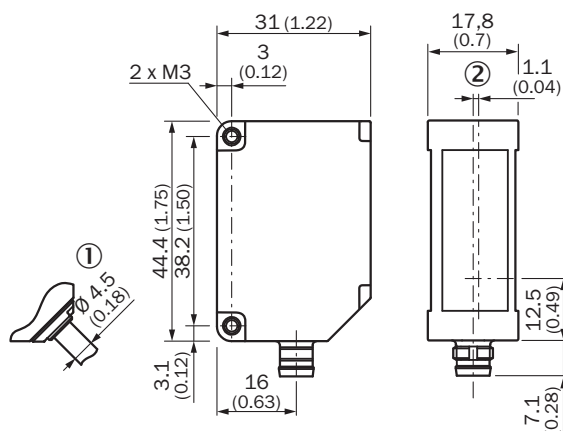
Enclosure rating	IP 67
Protection class	III
Ambient temperature	Operation: -10 °C ... +40 °C Storage: -20 °C ... +60 °C
Min. rel. humidity (not condensing)	35 %
Max. rel. humidity (not condensing)	95 %
Temperature drift	± 0.08 % FS/K (FS = Full Scale = Measuring range of sensor)
Typ. Ambient light immunity	Artificial light: ≤ 3,000 lx Sunlight: ≤ 10,000 lx
Vibration resistance	10 Hz ... 55 Hz (amplitude 1.5 mm, x-, y-, z-axis 2 hours each)
Shock resistance	50 G (x, y, z axis 3 times each)

General notes

Note	Not free of paint wetting impairment substances.
-------------	--

Dimensional drawing (Dimensions in mm (inch))

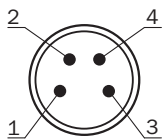
Aluminum housing



- ① Variant with 30 cm cable with M12, 5-pin connector
- ② Optical axis

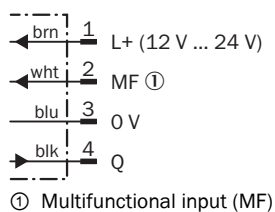
Connection type

OD1-BxxxxxI14 OD1-BxxxxxU14 4-pin, M8 male connector



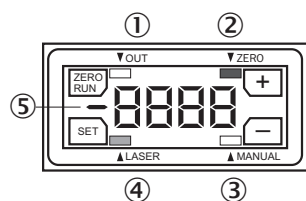
Connection diagram

OD1-BxxxxxQ14



Adjustment possible

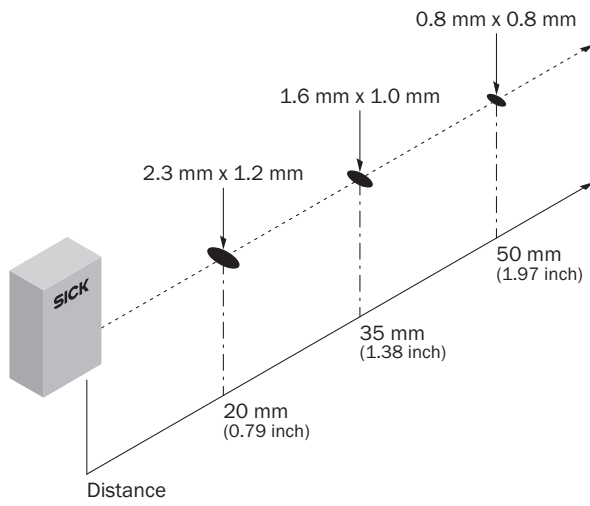
Adjustments



- ① Switching output status indicator
- ② Zero offset status indicator
- ③ Teach mode status indicator
- ④ Laser status indicator
- ⑤ Minus sign for measured value indicator

Light spot size

OD Mini Core20 mm ... 50 mm



SICK AT A GLANCE

SICK is one of the leading manufacturers of intelligent sensors and sensor solutions for industrial applications. A unique range of products and services creates the perfect basis for controlling processes securely and efficiently, protecting individuals from accidents and preventing damage to the environment.

We have extensive experience in a wide range of industries and understand their processes and requirements. With intelligent sensors, we can deliver exactly what our customers need. In application centers in Europe, Asia and North America, system solutions are tested and optimized in accordance with customer specifications. All this makes us a reliable supplier and development partner.

Comprehensive services complete our offering: SICK LifeTime Services provide support throughout the machine life cycle and ensure safety and productivity.

For us, that is “Sensor Intelligence.”

WORLDWIDE PRESENCE:

Contacts and other locations –www.sick.com